

PERGO®

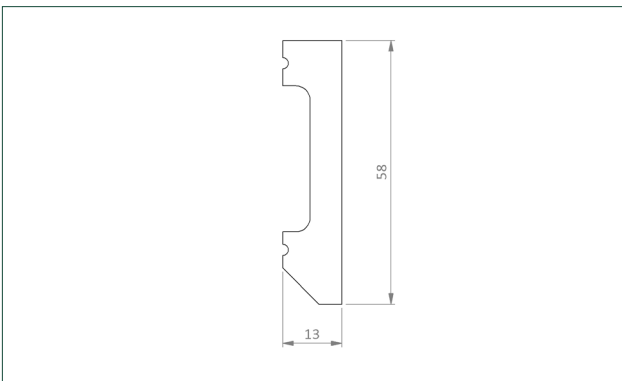
Paintable Waterproof Medium Skirting
Technical data sheet - English

TECHNICAL DATA SHEET - EDITION 04.2023

Paintable Waterproof Medium Skirting

General information

Medium, paintable, 100%-recyclable polystyrene skirting that can be left white or grab a can and paint your skirtings in a colour that suits your style. Use the Foamstrip and Aqua Sealant for a watertight finish in wet areas. Easy to install with Multiglue.



CONTENTS

Paintable waterproof skirting - medium

COMPOSITION

Polystyrene

COLOUR

White (between RAL 9010 and RAL 9016)

TECHNICAL DATA SHEET - EDITION 04.2023

Paintable Waterproof Medium Skirting

ORDER CODE	DIMENSIONS
PGH58PAINT	2400 x 13 x 58 mm

Applicable for:

All Pergo Laminate and Vinyl floors.

The floor must be able to expand and contract on all sides. This is why an expansion gap must be provided on all sides of the floor, around pipes, thresholds and under door frames. The exact expansion gap size depends on the floor type. Consult the installation instructions of your Pergo floor to know the required size of the expansion gap. To finish off this gap, we offer a wide range of skirting and profiles.

Paintable Waterproof Medium Skirting

Features

Pergo accessories are specifically developed for Pergo floors.

- **Multi-purpose surface**

The surface can be left white or painted.

- **Waterproof**

Use the Foamstrip and Aqua Sealant for a watertight finish in wet areas.

- **Easy installation with Pergo Multiglue**

Simply glue the skirting to the wall.

Paintable Waterproof Medium Skirting

Installation

The skirting can be installed in the following way:

1. If you choose to paint the skirting, it is best to sand and prime the skirting to ensure the best adhesion. First always verify if the paint bonds well. Preferably, use a water-based lacquer paint.
2. Simply glue the skirting to the wall with the Pergo Multiglue.
3. You can paint the skirting in the colour of your choice or you can leave it as a white skirting.