

BIO-CEL PVC Modules

Replacement & Spare Parts

The BIO-CEL MBR product is ideal for biological wastewater treatment in industrial and municipal applications. This product specification sheet provides details about the available spare parts of BIO-CEL PVC modules.

BIO-CEL 208

For replacement of existing modules Position S1 and S2 are sufficient.

Table 1. Spare parts BIO-CEL 208

Position	Part Number	Spare Part	Spare Part
S1	1000001458	BIO-CEL 208 Preassembled Cassette Unit	1 wooden pallet; incl. Pos. S4 and Pos. S5
S2	1000001473	BIO-CEL 208 Diffuser Set SIL	7 diffusers + connectors (Silicone)
-	1000001463	BIO-CEL 208 Diffuser Hose Set SIL	7 diffuser hoses + clamps without support pipe (Silicone)
-	1000002874	BIO-CEL Diffuser Assembly Tool Set ^a	Torque wrench with special wrench socket
-	1000002876	BIO-CEL star shaped socket	Special wrench socket only (for torque wrench to exchange single aerators)
-	1000001439	BIO-CEL Diffusor Hose Tool	Tool needed for exchange of diffusor hoses
S3	1000001407	BIO-CEL C104 Cassette	Replacement for BIO-CEL 208/416
S4	1000058854	BIO-CEL 208 Permeate connection set 1	Front and rear part incl. steel parts and O-Ring
S5	1000058867	BIO-CEL 208 Permeate connection set 2	Rear part only incl. steel parts; necessary to change cassettes and O-Ring
S6	1000001406	BIO-CEL 208/416 Permeate Pipe Set	Elbow: PVC DN100, PN16 incl. flat sealing and fastening material (drawings available)
-	1000001394	BIO-CEL 208/416 Gasket Set	9xO-ring EPDM, 2xDN100 flat gasket EPDM, 1xDN65 flat gasket EPDM
-	1000001390	BIO-CEL 208/416 Steel Parts	EN 1.4571/ AISI 316Ti

^a A normal torque wrench may be used. Drawings for the special wrench socket are available on request.

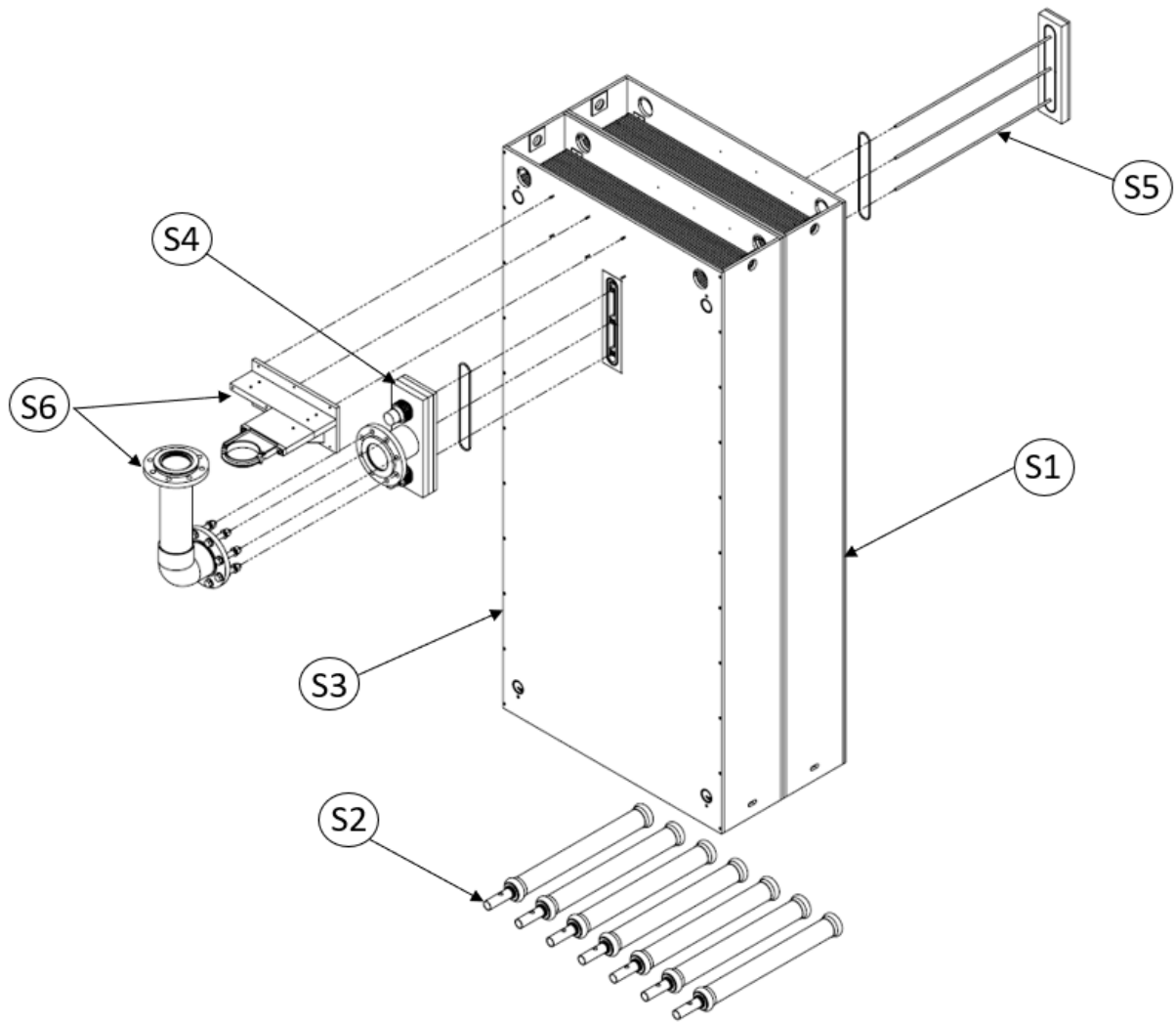


Figure 1. BIO-CEL 208 exploded drawing showing available spare parts

BIO-CEL 104

Table 1. Spare parts BIO-CEL 104

Position	Part Number	Spare Part	Remarks
S1a	1000002835	BIO-CEL C26 Cassette Replacement for BIO-CEL 52/104	Packed in cardboard box. PN is for a single cassette- use when ordering 1 or 2 cassettes.
S1b	1000002836	BIO-CEL C26 Cassette Replacement for BIO-CEL 52/104	Packed in set of 4 on pallet. PN is for a single cassette- use when ordering 4 (or multiple of 4) cassettes.
S2	1000001452	BIO-CEL 104 Diffuser Set SIL	4 diffusers + connectors (Silicone)
-	1000001465	BIO-CEL 104 Diffuser Hose Set SIL	4 diffuser hoses + clamps without support pipe (Silicone)
-	1000002874	BIO-CEL Diffuser Assembly Tool Set ^a	Torque wrench with special wrench socket
-	1000002876	BIO-CEL star shaped socket	Special wrench socket only (for torque wrench to exchange single aerators)
-	1000001439	BIO-CEL Diffusor Hose Tool	Tool needed for exchange of diffusor hoses
S3	1000001397	BIO-CEL 104 Connection Set	Necessary to change cassettes
S4	1000058916	BIO-CEL 52 /104 2" Hose Nozzle PVC	for hose inner diameter 40 mm
S5	1000001405	BIO-CEL 52/104 Permeate Set	Elbow: PVC DN32, PN16 incl. flat sealing and fastening material (drawings available)
-	1000001395	BIO-CEL 52/104 Gasket Set	5x O-ring EPDM, 2x DN32 flat gasket EVA, 1x flat gasket EPDM
-	1000001784	BIO-CEL 52/104 Steel Parts	1.4571/SS316Ti

^a A normal torque wrench may be used. Drawings for the special wrench socket are available on request.

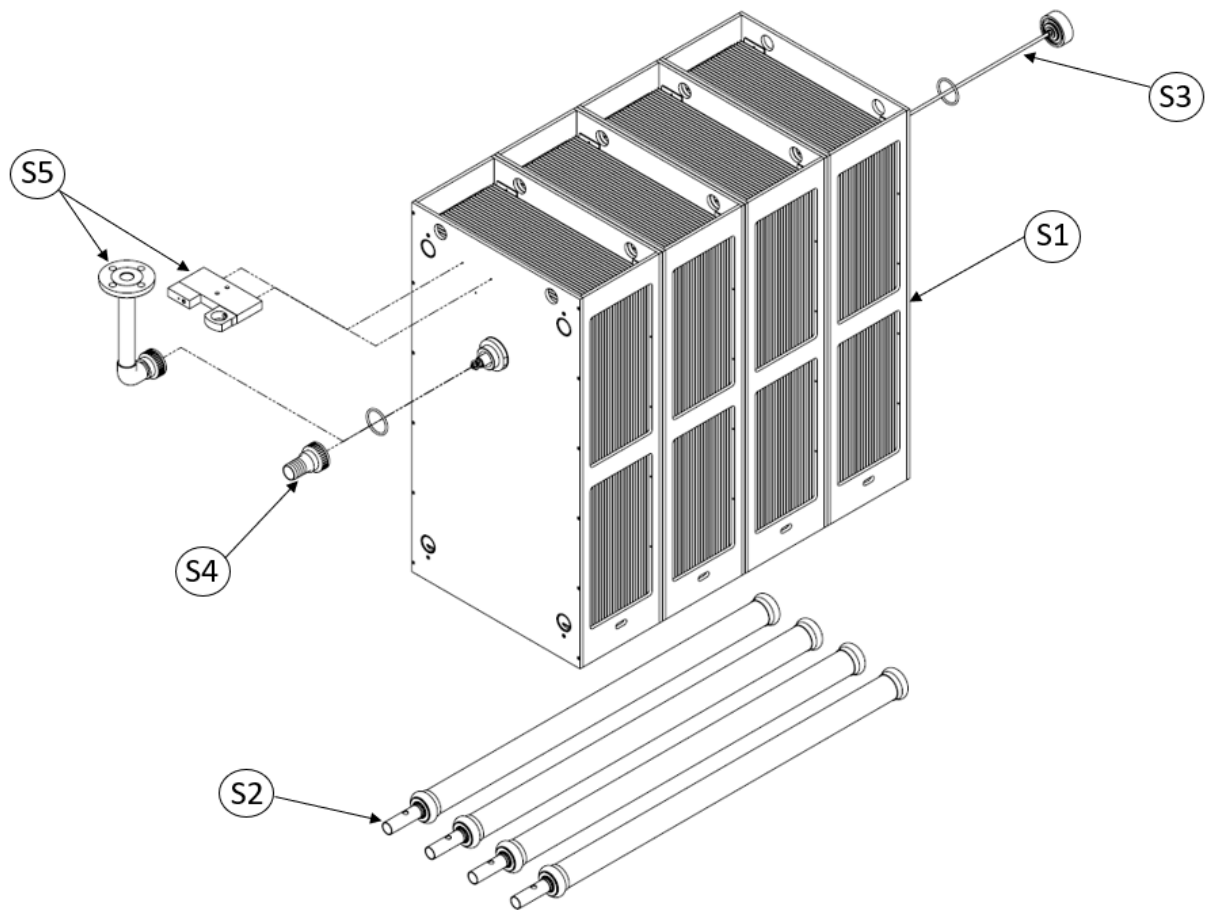


Figure 2. BIO-CEL 104 exploded drawing showing available spare parts

BIO-CEL 52

Table 3. Spare parts BIO-CEL 52

Position	Part Number	Spare Part	Remarks
S1a	1000002835	BIO-CEL C26 Cassette Replacement for BIO-CEL 52/104	Packed in cardboard box. PN is for a single cassette- use when ordering 1 or 2 cassettes.
S1b	1000002836	BIO-CEL C26 Cassette Replacement for BIO-CEL 52/104	Packed in set of 4 on pallet. PN is for a single cassette- use when ordering 4 (or multiple of 4) cassettes.
S2	1000001451	BIO-CEL 52 Diffuser Set SIL	4 diffusers + connectors (Silicone)
-	1000001466	BIO-CEL 52 Diffuser Hose Set SIL	4 diffuser hoses + clamps without support pipe (Silicone)
-	1000002874	BIO-CEL Diffuser Assembly Tool Set ^a	Torque wrench with special wrench socket
-	1000002876	BIO-CEL star shaped socket	Special wrench socket only (for torque wrench to exchange single aerators)
-	1000001439	BIO-CEL Diffusor Hose Tool	Tool needed for exchange of diffusor hoses
S3	1000001398	BIO-CEL 52 Connection Set	Necessary to change cassettes
S4	1000058916	BIO-CEL 52 /104 2" Hose Nozzle PVC	for hose inner diameter 40 mm
S5	1000001405	BIO-CEL 52/104 Permeate Set	Elbow: PVC DN32, PN16 incl. flat sealing and fastening material (drawings available)
-	1000001395	BIO-CEL 52/104 Gasket Set	5x O-ring EPDM, 2x DN32 flat gasket EVA, 1x flat gasket EPDM
-	1000001784	BIO-CEL 52/104 Steel Parts	1.4571/SS316Ti

a A normal torque wrench may be used. Drawings for the special wrench socket are available on request.

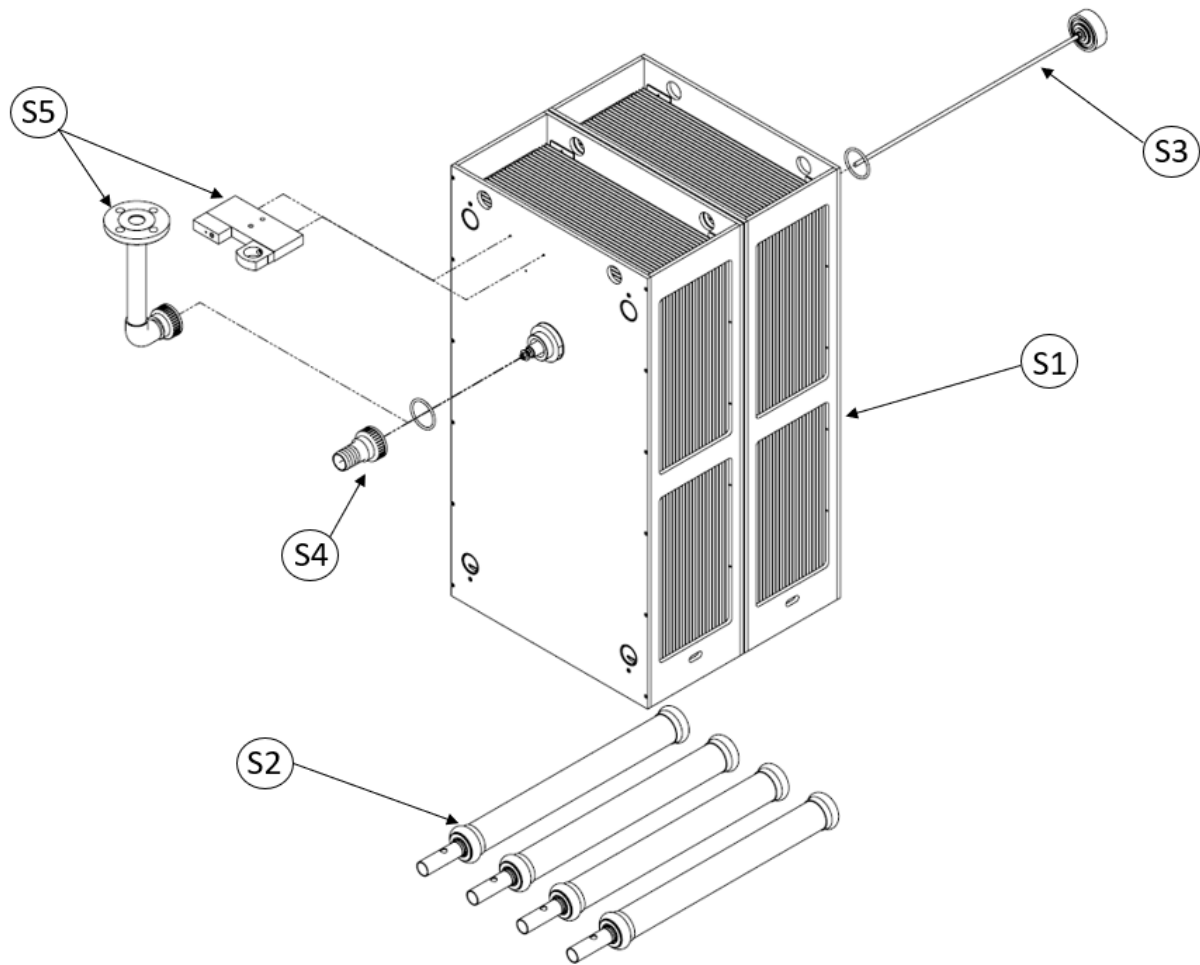


Figure 3. BIO-CEL 52 exploded drawing showing available spare parts

Contact

Europe

Germany: +49 611 7118 7480
 Italy: +39 0721 1796201
info.wfs@mann-hummel.com

Americas

USA: +1 805 964 8003
sales.mnus@microdyn-nadir.com

Asia

APAC: +65 6457 7533
info.wfs@mann-hummel.com
 China: +86 10 8413 9860
waterchina@mann-hummel.com