

# BIO-CEL® EASY+ Scope of Supply, Accessories, & Spare Parts

## BIO-CEL EASY+ Scope of Supply

BIO-CEL® EASY+ is a small but mighty MBR system built for customers whose water treatment needs fall into the 10 - 100 m<sup>3</sup>/d 'sweet spot' for the modules. This simple and efficient MBR module is easy to design, assemble, connect, move, and expand in any customer facility. The BIO-CEL EASY+ module fits perfectly in the filtration tank: BIO-CEL EASY TANK. The perfect pair of tank and module ensures a plug-and-play experience.

The below table shows the different options for ordering BIO-CEL EASY+. Details on shipping dimensions and weights are shown in table 2.

Table 1. Scope of supply

Part Number	Module Name	Comments
1000052207	BIO-CEL EASY+	Steel frame made of SS304, permeate port with G ¾ " inner thread, air port with G 1 ½ " outer thread.
1000052208	BIO-CEL EASY+ Module & Tank	Modules steel frame and tank made of SS304, module installed in the tank with pipe connections. Tank permeate port with G ¾ " inner thread, tank air port with G 1 ½ " inner thread.

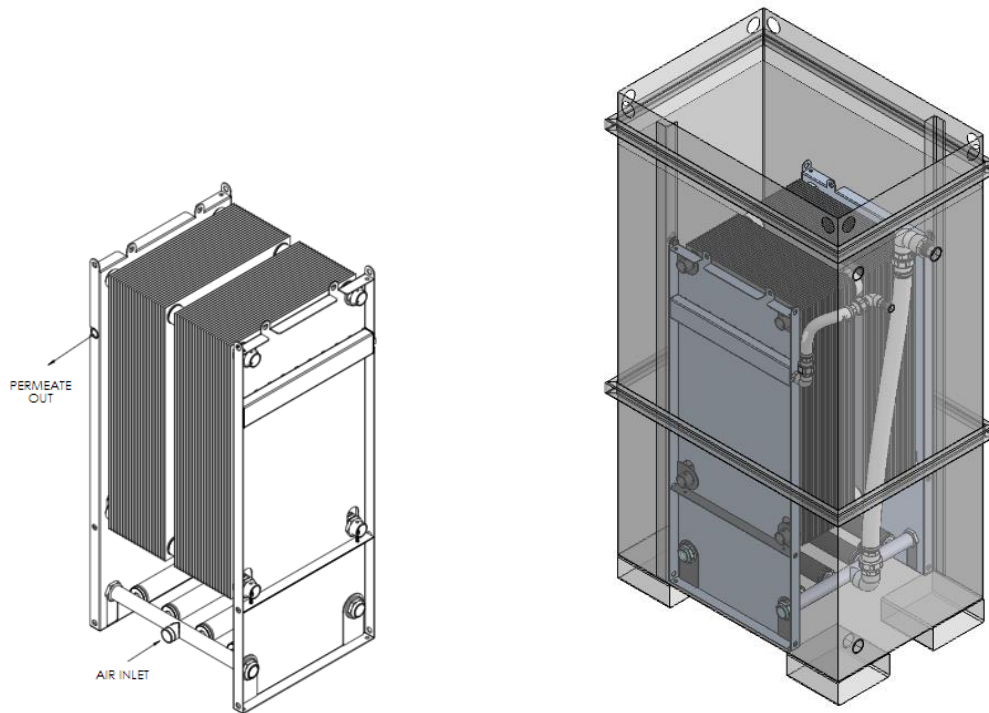


Figure 1. BIO-CEL EASY+ scope of supply - left 1000052207; right 1000052208

## Packaging & Dimensions

Table 2. Shipment dimensions

	Length	Width	Height	Weight	Comments
BIO-CEL EASY+ (1 pcs module shipped on palette)	800 mm (2.6 ft)	645 mm (2.1 ft)	1567 mm (5.2 ft)	136 kg (300 lb)	Module packed in carton box and fixed to a palette.
BIO-CEL EASY+ Module + Tank	1126 mm (3.7 ft)	766 mm (2.5 ft)	2036 mm (6.7 ft)	360 kg (794 lb)	Module installed in a tank. Tank can be lifted by forks or with chains via crane.

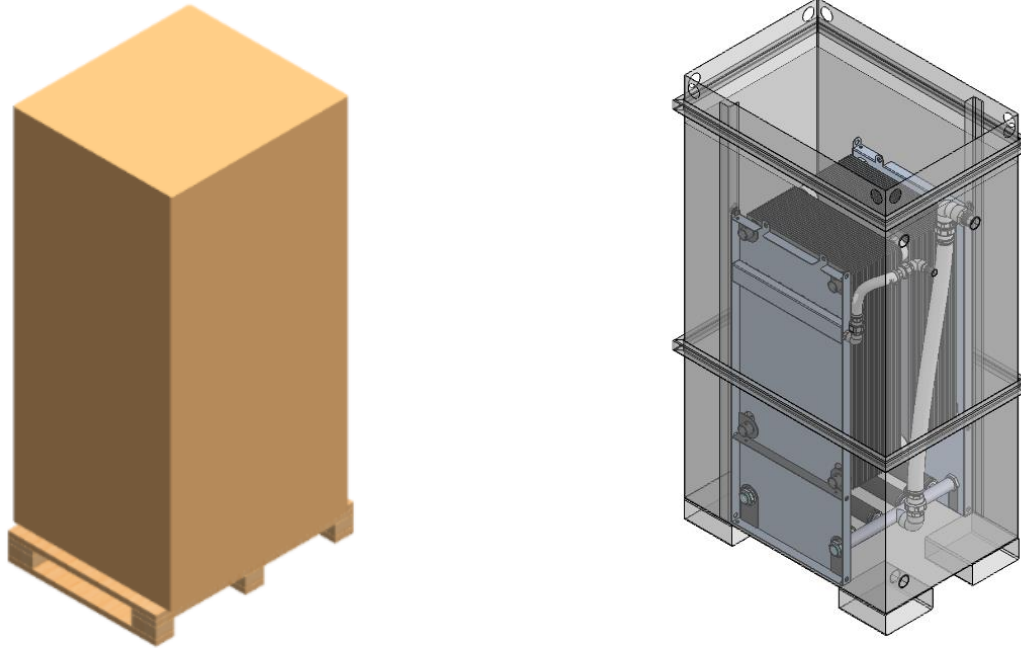


Figure 2. BIO-CEL EASY+ single shipment (left) and BIO-CEL EASY+ Module & Tank as shipped (right)

## Regular container inner dimensions and shipping arrangement in container

Table 3. Container inner dimensions

	Length	Width	Height	Shipping capacity
20 ft container	5,898 mm (19.4 ft)	2,350 mm (7.7 ft)	2,392 mm (7.8 ft)	21 pcs. BIO-CEL EASY+ or 15 pcs. BIO-CEL EASY+ Module + Tank
40 ft container	12,032 mm (39.5 ft)	2,350 mm (7.7 ft)	2,392mm (7.8 ft)	42 pcs. BIO-CEL EASY+ or 30 pcs. BIO-CEL EASY+ Module + Tank
Door opening	-	2,340 mm (7.7 ft)	2,292 mm (7.5 ft)	

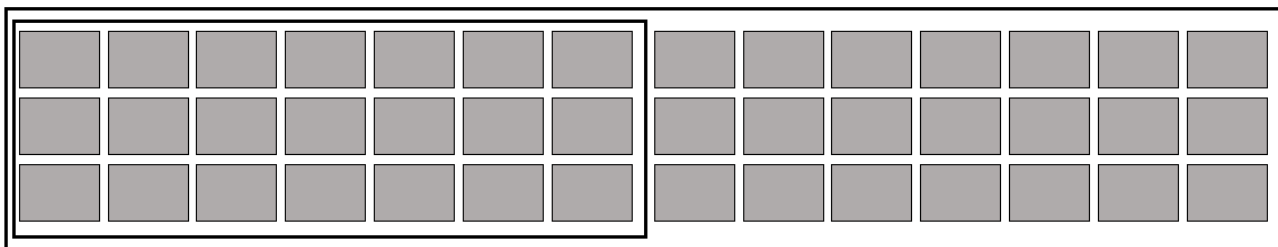


Figure 3. BIO-CEL EASY+ Module arrangement in 20/40 ft container (21 / 42 pcs capacity)

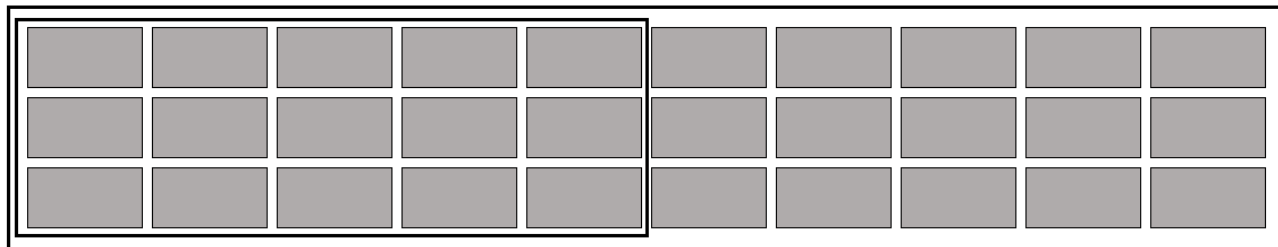


Figure 4. BIO-CEL EASY+ Module & Tank arrangement in 20/40 ft container (15 / 30 pcs capacity)

il 2 3 4 5 6 7  
4 3 2 il 6 5

## BIO-CEL EASY+ Accessories & Spare Parts

Table 4 and figure 5 show available accessories and spare parts. To ensure proper installation and operation of BIO-CEL EASY+, certain accessories are necessary if the module is purchased not installed in the tank.

No spare parts are typically required for BIO-CEL EASY+ within the first five years of operation. If spare parts are needed, they may be ordered as per the below table.

**Table 4. Accessories & spare parts**

<b>Position</b>	<b>Part Number</b>	<b>Spare Part</b>	<b>Remarks</b>
1	1000052209	BIO-CEL EASY+ Membrane Stack	1 pcs membrane stack only, packed in a box. BIO-CEL EASY+ consists of 2 membrane stacks.
2	1000002985	BIO-CEL EASY Air Piping	Air piping for installation in standard BIO-CEL EASY tank
3	1000021654	BIO-CEL EASY Diffusor Replacement Set	Set of 4 diffusors including O-rings
4	1000002987	BIO-CEL EASY Permeate Piping	Permeate piping for installation in standard BIO-CEL EASY tank
5	1000002943	BIO-CEL EASY Tank	Steel tank made of SS304 including steel parts to fix the BIO-CEL EASY in the tank.

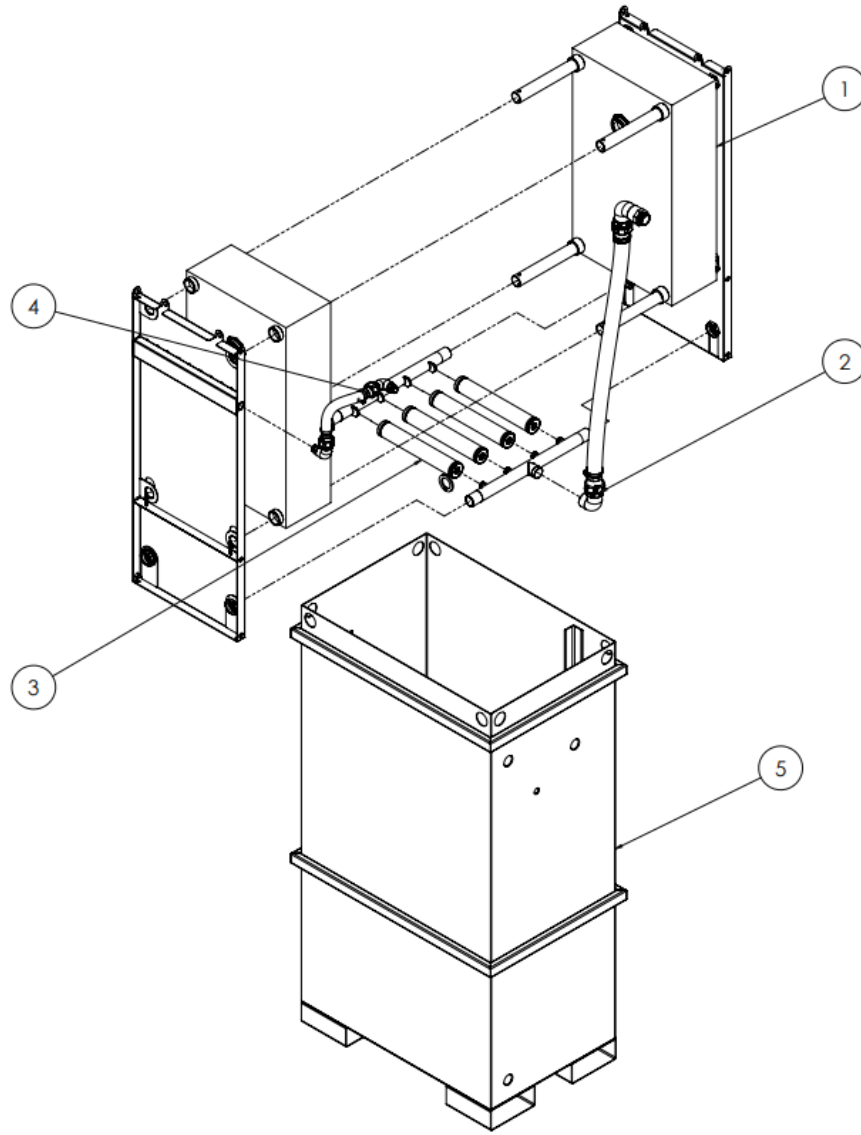


Figure 5. BIO-CEL EASY+ accessories & spare parts

## Contact

### Europe

Germany: +49 611 7118 7480  
Italy: +39 0721 1796201  
info.wfs@mann-hummel.com

### Americas

USA: +1 805 964 8003  
sales.mnus@microdyn-nadir.com

### Asia

APAC: +65 6457 7533  
info.wfs@mann-hummel.com  
China: +86 10 8413 9860  
waterchina@mann-hummel.com