

UrSpring BeWell

Technical product data sheet

The UrSpring BeWell prevents the penetration of bacteria, viruses, turbidity and rust from the central water supply and thus also the growth of pathogens in the pipes and in the water heater.



Our filter solution for your home

Clean drinking water is the basis of our health. The drinking water regulations, with their guidelines, create a good basis. However, water suppliers are under enormous pressure to keep their long, often outdated pipe networks clean. Added to this are water stagnation, e.g. after a building or areas of a building have not been used for a long time, even after holidays or vacancies, and burst pipes. Seccua ultrafiltration systems can ensure optimum drinking water quality throughout the whole house.

The Seccua Ultrafiltration

Seccua ultrafiltration is based on membrane technology from the medical field of dialysis. Bacteria that often survive conventional disinfection methods such as UV irradiation, chlorine or heat are reduced. This is done through a mechanical filtration process without the use of chemicals.

Germs and contaminants are retained in the membrane phase. They are flushed out from there at regular intervals, which happens completely automatically in the UrSpring BeWell.

Water treatment without chemicals

Since Seccua filtration is a mechanical process, the use of chemicals and irradiation of the water can be completely dispensed with. The natural balance of the water is maintained. There is hardly any free, corrosive carbonic acid in the water, which would attack the piping system. With Seccua filtration, important minerals such as calcium or magnesium remain in the water even after filtration.

Pure water for your family

The UrSpring BeWell prevents the ingress of germs, turbidity and rust from the central water supply and thus also the growth of pathogens in the pipes and in the water heater.

With the help of the ultrafiltration of the Seccua UrSpring BeWell, undesirable substances are reduced from your drinking water, for example:

- Pathogens (e.g. Legionella)
- Turbidity
- Rust discolouration

Possible combinations

Together with the Seccua Bio-Filter and the corresponding filter media (AroxBags), this system concept reduces undesirable substances such as drug residues, pesticides or hormone-like substances from the water in the municipal network.

What remains is clear, healthy drinking water for you and your family.

Easy to install

The UrSpring can be installed quickly and easily by any certified local plumber who is licensed, bonded and insured. The UrSpring is installed at point-of-entry and can be used to purify both city water and well water. If UrSpring is to be used with well water, we recommend a sediment filter to be installed before the UrSpring system for optimal performance.



Contact:

Tel.: +1 (503) 766 5551
 cs@seccua.com
 us.seccua.com

Manufacturer:

Seccua GmbH
 Dr.-Karl-Slevogt-Straße 3
 82362 Weilheim
 Germany

UrSpring BeWell

Technical data



Dimensions and weight	
Height	49.3" (1254 mm)
Width	5.9" (150 mm)
Depth	6.4" (162 mm)
Distance between connection pipes	9.7" (246 mm)
Minimum installation height (distance floor - mounting hole)	47.2" (1200 mm)
Weight (dry)	26 pounds (12 kg)
Operating weight	35 pounds (16 kg)

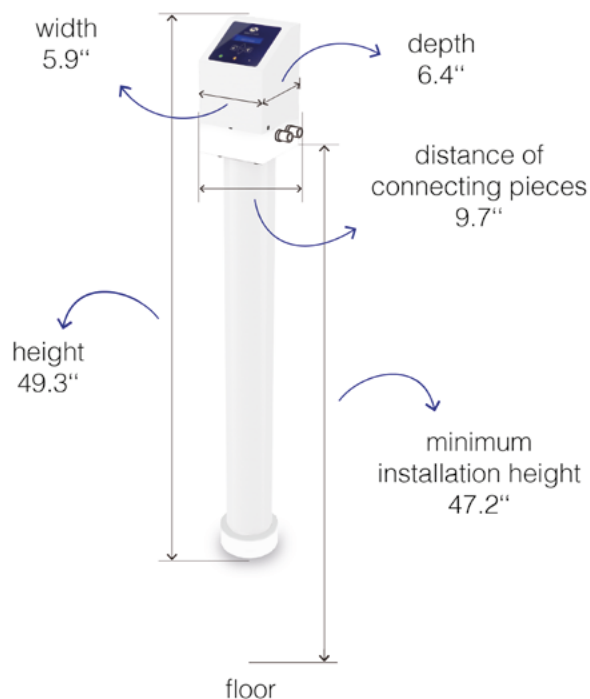
Connections and assembly	
Threaded connection	3/4" female thread for inlet, filtrate and rinse water
Quick coupling	The UrSpring BeWell is supplied with DN20 quick couplings that can be used with plastic and copper pipes
Assembly	Wall-mounted, mounting bracket supplied

Operating conditions	
Max. operating pressure	72 psi (5 bar)
Max. operating temperature	104 °F (40 °C)
Min. operating temperature	39.3 °F (4 °C)
Max. permissible differential pressure across the filter	36 psi (2,5 bar)

Filtration capacity ¹	
Continuous flow	3.9 gpm (15 l/min)
Peak flow	11.1 gpm (42 l/min)

¹ Seccua always recommends a minimum 100 µm fine filter to protect the membrane. Depending on the local water quality, an automatically rinsable 1-5 µm pre-filter may be recommended. Free consultation under +1 (503) 766 5551.

Retention	
Viruses	up to 99,99 %
Bacteria / parasites and other microorganisms	99,99999 %
Turbidity and particles	below visibility limit (<0,15 NTU)



Filtration and cleaning	
Filtration	100 % of the feed is filtered, no continuous flushing water consumption.
Cleaning	Cleaning is fully automatic within a set flushing cycle.
Replacment	Depending on the local water quality, the filter should be changed regularly, but after 3 years at the latest.

Approvals and standards	
Material	All materials used that come into contact with water comply with the material regulations for this area of application. material regulations for this area of application (NSF 61, FDA or KTW).
Electronics	The unit is splash-proof (IP67) and can be installed in wet rooms. It complies with the required national standards and directives.

Contact:

Tel.: +1 (503) 766 5551
 cs@seccua.com
 us.seccua.com

Manufacturer:

Seccua GmbH
 Dr.-Karl-Slevogt-Straße 3
 82362 Weilheim
 Germany