

BIO-CEL EASY
MBR Modules &
Tank

Simple, Modular MBR for Wastewater Treatment

BIO-CEL EASY MBR MODULES & TANK

BIO-CEL MBR is a cost-effective and scalable solution for meeting challenging effluent requirements for municipal and industrial wastewater treatment.

EASY TO DESIGN

BIO-CEL EASY modules come in a simple, packaged format. It is easy to design, requiring fewer engineering hours.

EASY TO ASSEMBLE

The module assembles quickly and does not necessitate a team of experts to install. An OEM or manufacturer presence is not required to assemble BIO-CEL EASY modules.

EASY TO CONNECT

BIO-CEL EASY modules have minimal connection requirements. It is a plug-and-play design, ready-to-use, modular, and without complicated operating procedures.

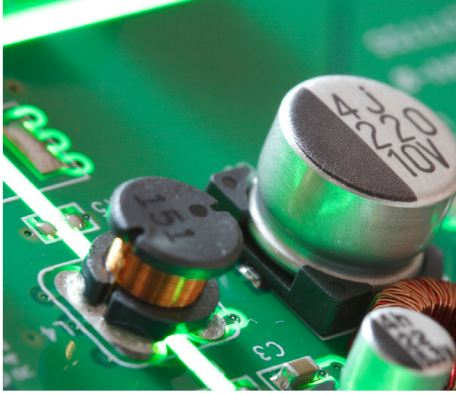
EASY TO MOVE

The small footprint of the modules allows easy mobility and transportation. It is perfect for small and medium-sized projects.

EASY TO EXPAND

The modular design allows plant capacity to scale quickly with additional MBR modules, as required.





'SWEET SPOT' FOR BIO-CEL EASY MODULES

Equipped with membrane bioreactor (MBR) technology, BIO-CEL EASY is cutting-edge technology, ensuring excellent performance. Each module can treat up to 24 m³/d for municipal applications and 12 m³/d for industrial applications, which is the sweet spot for these modules.

Example applications include hospitals, airports, hotels/resorts, shopping malls, ships, semi-conductor manufacturing, battery manufacturing, and many more.

BIO-CEL EASY is the easiest plug-and-play system in the market.

It is ready-to-use, modular, and doesn't require complicated operation procedures or extensive wastewater treatment knowledge. The modules are ideal for small and medium-sized projects with its minimal operator supervision requirements.

BIO-CEL EASY modules are a combination of ultrafiltration membrane sheets and a robust AISI 304 stainless steel frame. The modules offer easy assembly and installation; fast and simple design; and flexible configurations, which saves on installation costs, engineering hours, and investment costs.

BIO-CEL EASY TANK

The BIO-CEL EASY module fits perfectly in the filtration tank: BIO-CEL EASY TANK. The perfect pair of tank(s) and module(s) ensures a plug-and-play experience. As an added benefit, the tank can be installed with a forklift, no crane required; it is compact and fits through the normal door size for ease of installation.

EASY INSTALLATION, COMPACT DESIGN



BIO-CEL EASY MBR

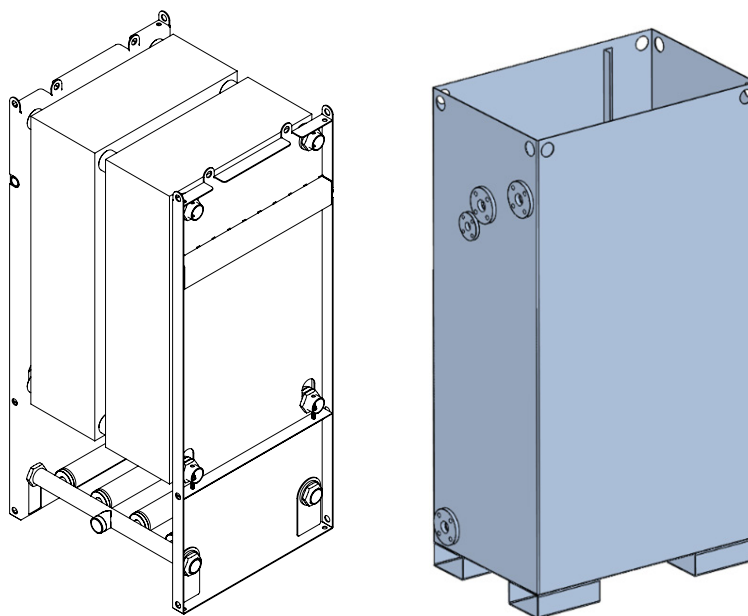
Module & Tank

MEMBRANE MATERIAL

- **Polymer:** PES
- **Membrane Type:** Ultrafiltration
- **Support Layer:** Polyester
- **Drainage:** Polyester

MODULE & TANK

BIO-CEL EASY MBR modules are modular units that can be quickly and easily expanded depending on the size of the project. With this modular configuration, BIO-CEL MBR is a scalable solution for both small and larger wastewater treatment needs.



SPECIFICATIONS & DIMENSIONS

Type	Membrane Area [m ²]	Membrane Area [ft ²]	Dimensions [mm]	Dimensions [ft]	Housing Material
Module	50	538	674 x 590 x 1351	2.2 x 1.9 x 4.4	Stainless Steel
Tank	-	-	1066 x 706 x 2036	3.5 x 2.3 x 6.6	Stainless Steel

Note: nominal values

Americas

USA: +1 805 964 8003

sales.mnus@microdyn-nadir.com

Asia

APAC: +65 6457 7533

China: +86 10 8413 9860

waterchina@mann-hummel.com

Europe

Germany: +49 611 7118 7480

Italy: +39 0721 1796201

info.wfs@mann-hummel.com

MANN + HUMMEL

www.mann-hummel.com