



Ankerfix Rapid Hanger for CD 60/27

Anker type suspender for attaching hanger wires to upper / main Knauf CD 60 x 27 mm channels

Ankerfix Rapid Hanger for CD/ 27

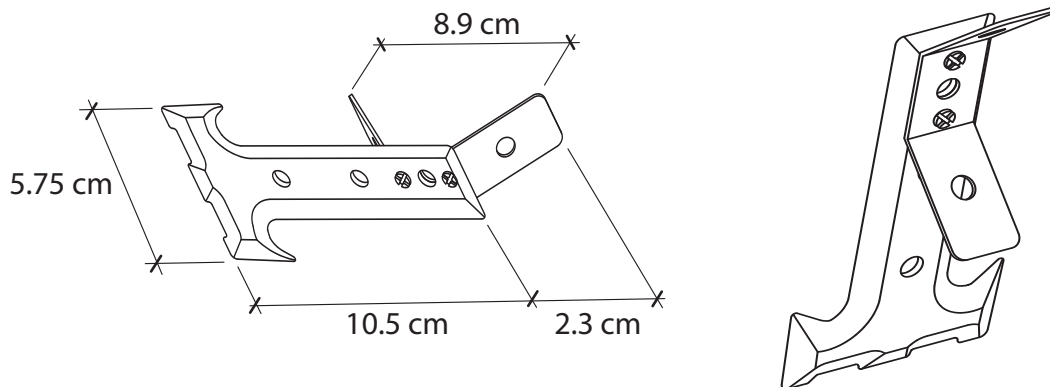
Product Description

Dimensions	Packing Details		Price	Material Code
Width (mm)	Pieces Per Pack	Weight Per Pack (Kg approx.)	Per Pack (AED)	
60	250	11		147766

Load bearing capacity of the system: 25kg

Technical Data

Dimensions:



Please contact our sales department for inquiries about storage and packing.

Note:

Knauf Head Office

- ▶ Phone: +971 4 337 7170
- ▶ Fax: +971 4 334 9659
- ▶ P.O.Box: 112871, Dubai
- ▶ info.uae@knauf.com

Knauf Manufacturing Plant

P.O.Box 50006
 Ras Al Khaimah, U.A.E.
 Tel: +971 7 268 9837
 Fax: +971 7 221 5301



Disclaimer:

The information provided in this leaflet is only intended to give guidance in selecting and using Knauf products. While we make every effort to ensure its accuracy, neither Knauf LLC and its branches nor any of its employees or affiliates warrant or assume any legal liability or responsibility for the completeness or usefulness of any failure in installation or constructing any structure installation or building or caused by using this leaflet. Readers are advised to independently verify this information prior to rely on it. In particular, readers must obtain appropriate independent advice on the use in specific structures, installations or buildings to ensure compliance with all regulations, including health and safety regulations. Knauf reserves the right to amend technical specification.

The constructional and structural properties, and characteristic building physics Knauf system can solely be ensured with the exclusive use Knauf system components, or other product expressly recommended by Knauf.