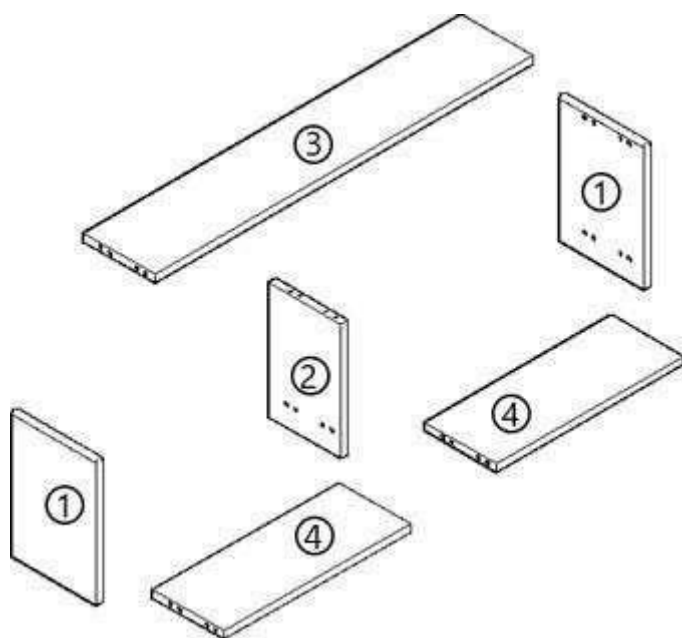
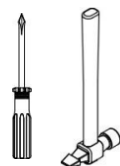
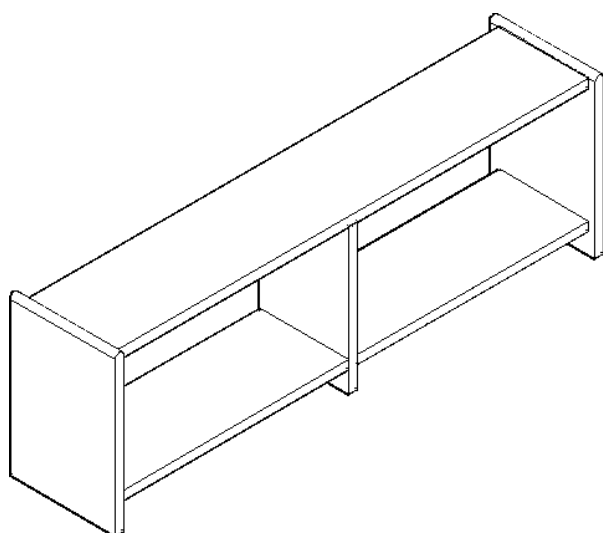


SITZBANK Art.Nr 736471/736472/736473

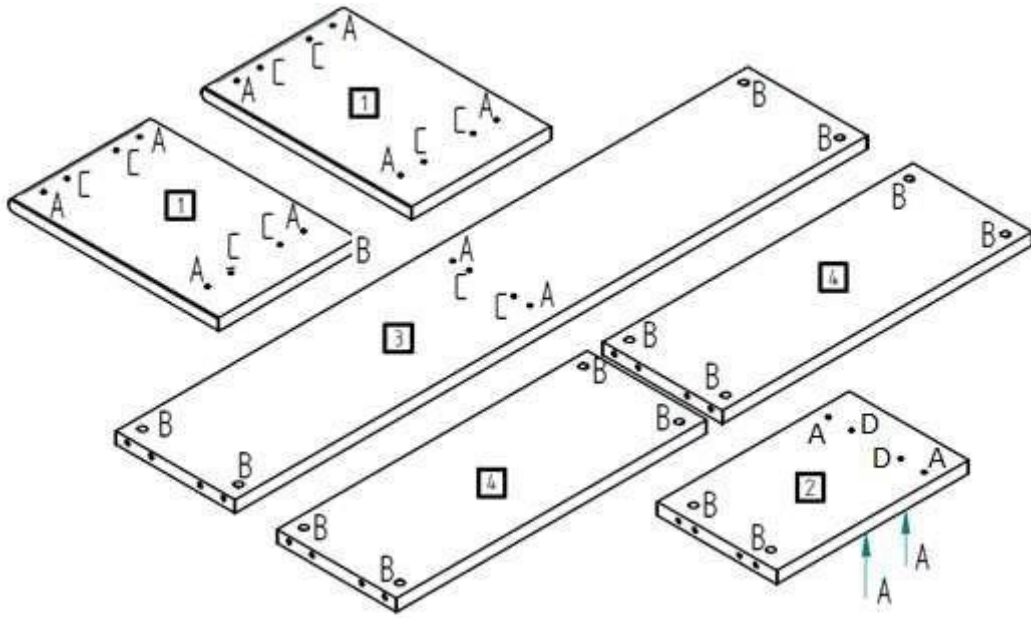
MONTAGEANLEITUNG/ ASSEMBLY INSTRUCTIONS



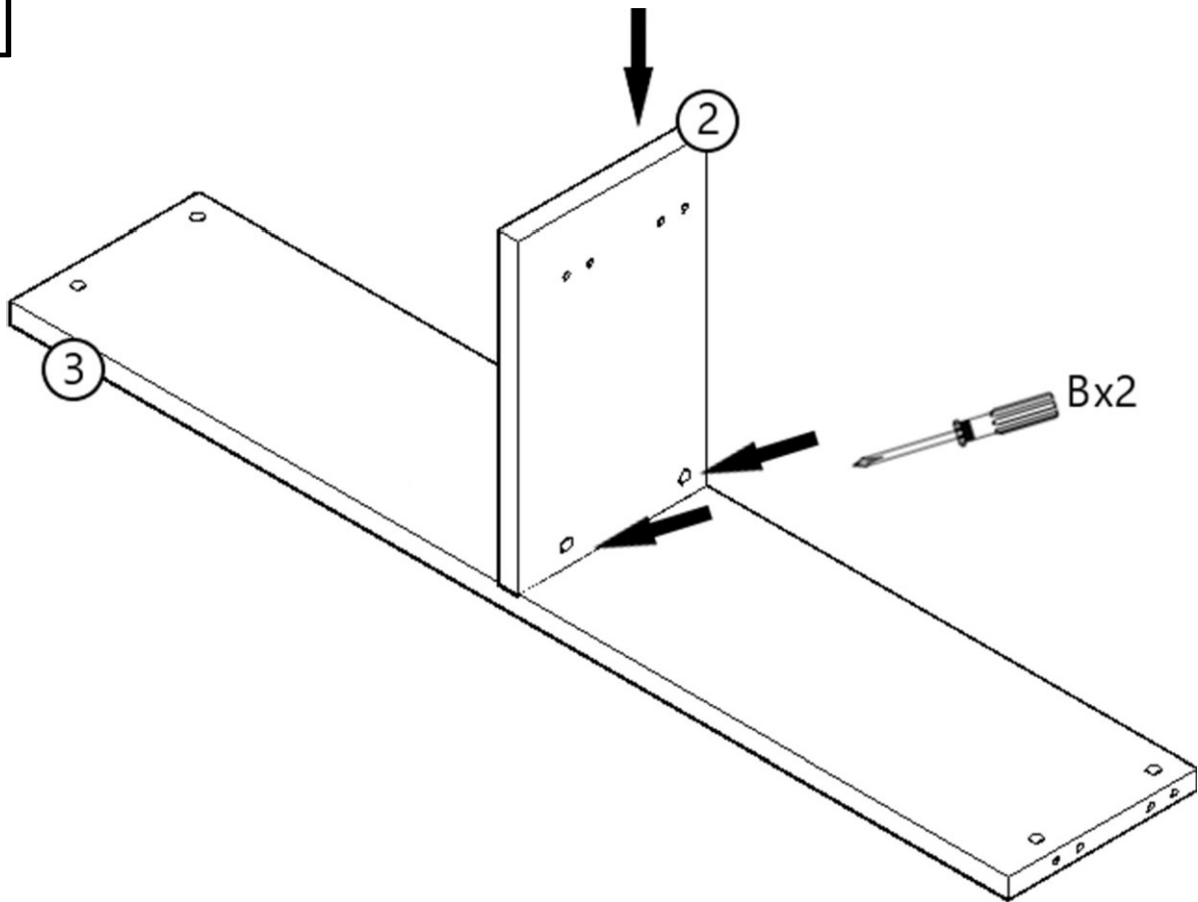
| | | |
|---|----------------|----|
| 1 | 47 x 30 cm | x2 |
| 2 | 42 x 25.5 cm | x1 |
| 3 | 134 x 25.5 cm | x1 |
| 4 | 65.5 x 25.5 cm | x2 |

| A | B | C | D |
|------------|------------|------------|-----------|
| X14 | X14 | X10 | X2 |
| M6x40 | M6x14 | Ø8x30 | Ø8x50 |
| | | | |

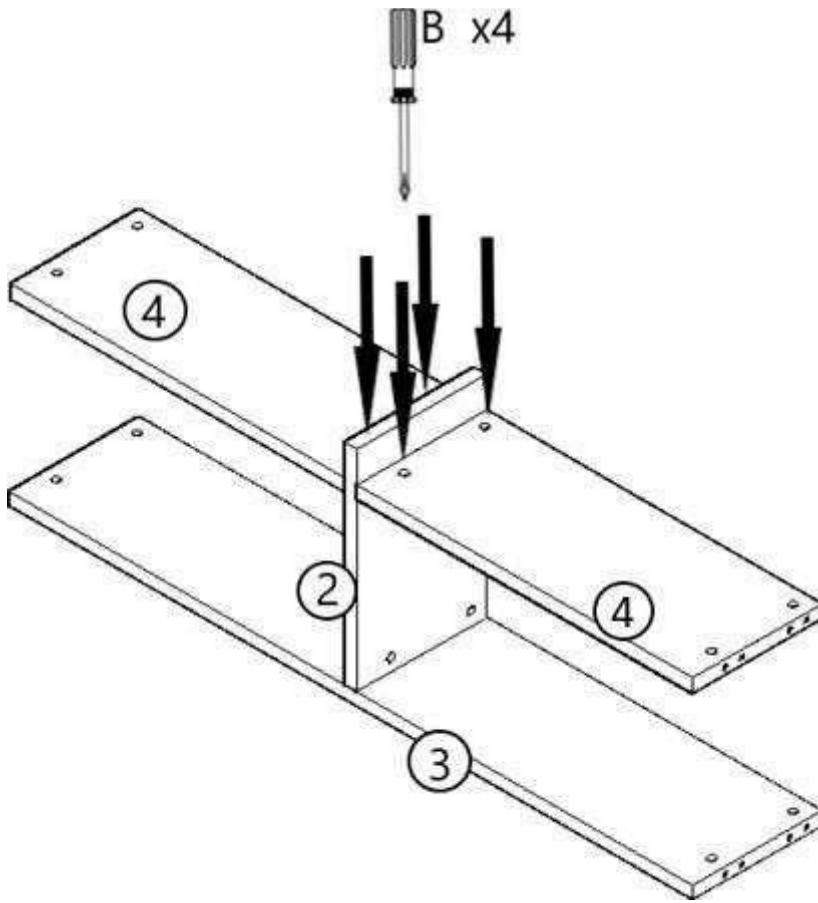
I



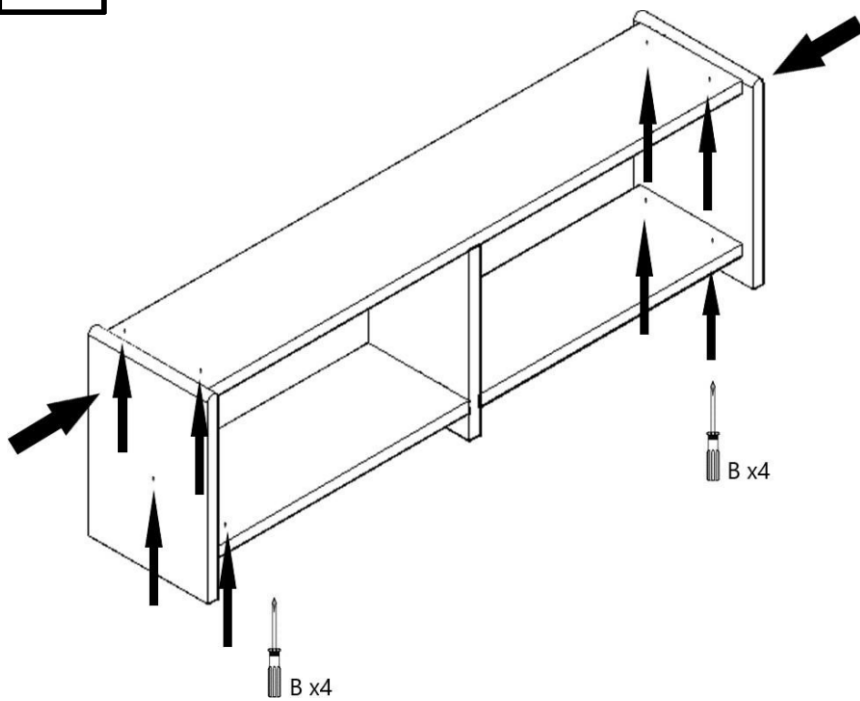
II



III



IV



02/2025

3/3