



**T82**

**OWNER'S MANUAL  
BENUTZERHANDBUCH  
GEBRUIKSHANDLEIDING  
MANUEL DU PROPRIÉTAIRE**



**Read the TREADMILL GUIDE before using this OWNER'S MANUAL.**

**Lesen Sie zunächst die ANLEITUNG ZUM LAUFBAND, bevor Sie dieses BENUTZERHANDBUCH konsultieren.**

**Lees de LOOPBANDGIDS voor u deze GEBRUIKERSHANDLEIDING gebruikt.**

**Veuillez lire le GUIDE DU TAPIS DE COURSE avant d'utiliser ce MANUEL DU PROPRIÉTAIRE.**

3	ENGLISH
25	DEUTSCH
47	NEDERLANDS
69	FRANÇAIS

# ASSEMBLY



## WARNING

There are several areas during the assembly process that special attention must be paid. It is very important to follow the assembly instructions correctly and to make sure all parts are firmly tightened. If the assembly instructions are not followed correctly, the treadmill could have frame parts that are not tightened and will seem loose and may cause irritating noises. To prevent damage to the treadmill, the assembly instructions must be reviewed and corrective actions should be taken.

Before proceeding, find your treadmill's serial number located on the front stabilizer tube and enter it in the space provided below. Also locate the model name which is next to the serial number.

ENTER YOUR SERIAL NUMBER AND MODEL NAME IN THE BOXES BELOW:

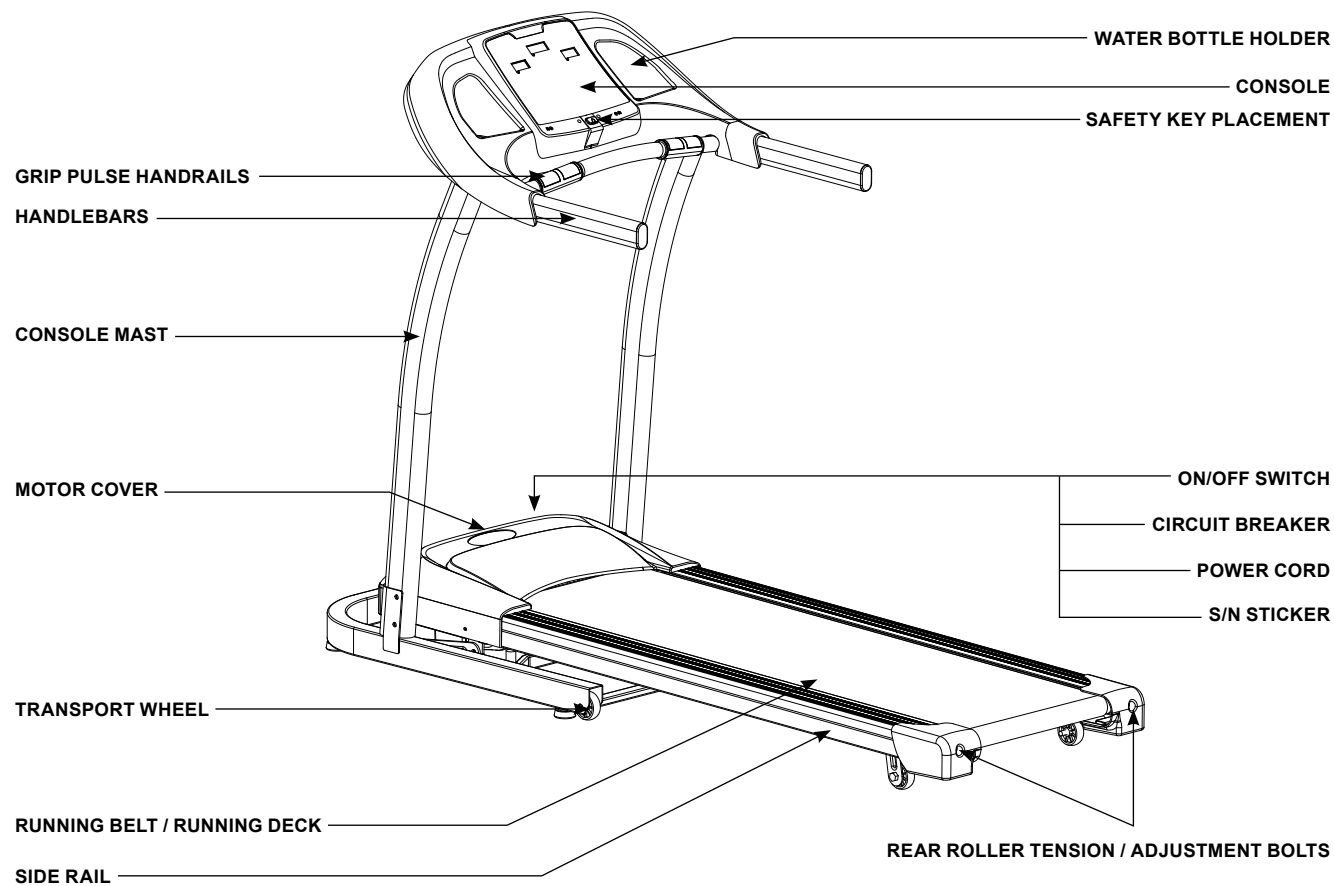
SERIAL NUMBER:

--	--	--	--	--	--	--	--	--	--	--	--	--	--	--	--	--	--	--	--

MODEL NAME: **HORIZON**

--	--	--	--	--	--	--	--	--	--	--	--	--	--	--	--	--	--	--	--

**TREADMILL**



### TOOLS INCLUDED:

- 5 mm L-Wrench /screwdriver
- 6 mm L-Wrench

### PARTS INCLUDED:

- 1 Console Assembly
- 2 Console Masts
- 1 Hardware Kit
- 1 Safety Key
- 1 Power Cord
- 1 Silicone

### NEED HELP?

If you have questions or if there are any missing parts, contact your local dealer.

## PRE ASSEMBLY

### UNPACKING

Place the treadmill carton on a level flat surface. It is recommended that you place a protective covering on your floor. Take CAUTION when handling and transporting this unit. Never open box when it is on its side. Once the banding straps have been removed, do not lift or transport this unit unless it is fully assembled. Unpack and assemble the unit where it will be used. Never grab hold of any portion of the incline frame and attempt to lift or move the treadmill.

### WARNING

DO NOT ATTEMPT TO LIFT THE TREADMILL! Do not move or lift treadmill from packaging until specified to do so in the assembly instructions. You may remove the plastic wrap from console masts.

### WARNING

FAILURE TO FOLLOW THESE INSTRUCTIONS COULD RESULT IN INJURY!

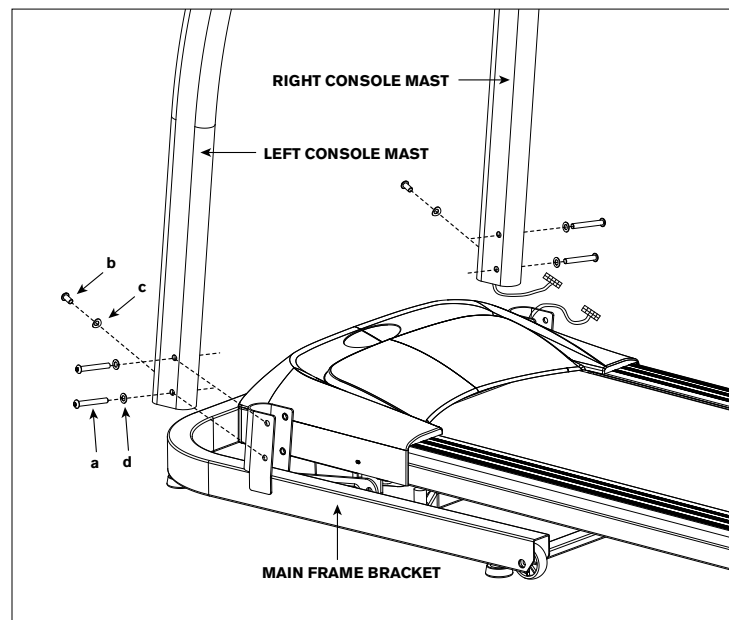
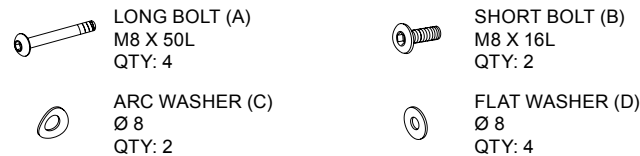
NOTE: During each assembly step, ensure that ALL nuts and bolts are in place and partially threaded in before completely tightening any ONE bolt.

NOTE: A light application of grease may aid in the installation of hardware. Any grease, such as lithium bike grease is recommended.



## ASSEMBLY STEP 1

### HARDWARE FOR STEP 1

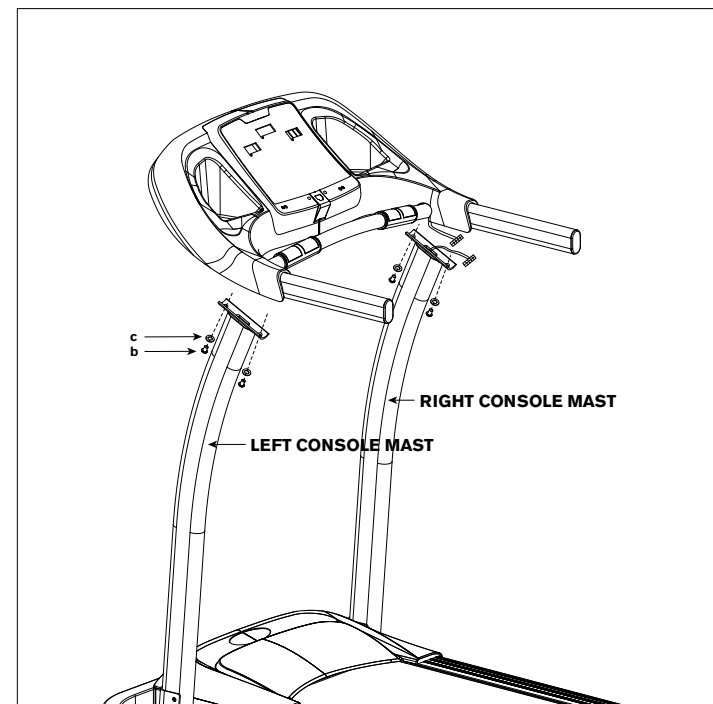


- Open the box and remove all parts underneath the running deck by lifting the running deck upward.
- Open **HARDWARE PARTS** for Step 1
- Align and attach **LEFT CONSOLE MAST** with base frame bracket by using 2 **LONG BOLTS (A)**, 1 **SHORT BOLTS (B)**, 2 **FLAT WASHERS (D)** and 1 **ARC WASHER (C)**.
- Connect the **CONSOLE CABLES** at **RIGHT CONSOLE MAST** and carefully tuck wires to **CONSOLE MAST** to avoid damage.
- Repeat Step C on the **RIGHT CONSOLE MAST**.

**NOTE:** Do not pinch or break any wire when assembling the console mast. You may need extra help assembling step 1 or 2 and **DO NOT** fully tighten the bolts until step 2 is completed.

## ASSEMBLY STEP 2

### HARDWARE FOR STEP 2



- Open **HARDWARE PARTS** for Step 2
- Gently hold the **CONSOLE** above the **CONSOLE MAST**.
- Connect the **CONSOLE CABLES** at right hand side, carefully tucking wires in **RIGHT CONSOLE MAST** to avoid damage.
- Attach the **CONSOLE** to the **CONSOLE MAST** using 4 **SHORT BOLTS (B)** and 4 **FLAT WASHERS (C)**.

**NOTE:** Console fixing from beneath. Be careful not to pinch any wires and make sure you fully tighten all bolts before starting using the treadmills.

## ASSEMBLY STEP 3

**ASSEMBLY COMPLETE!**



T82

Product Weight: 61 kg / 134 lbs.

User Weight Capacity: 115 kg / 253 lbs.

Dimensions (L×W×H) : 186 x 70 x 132 cm /  
73" x 28" x 52"

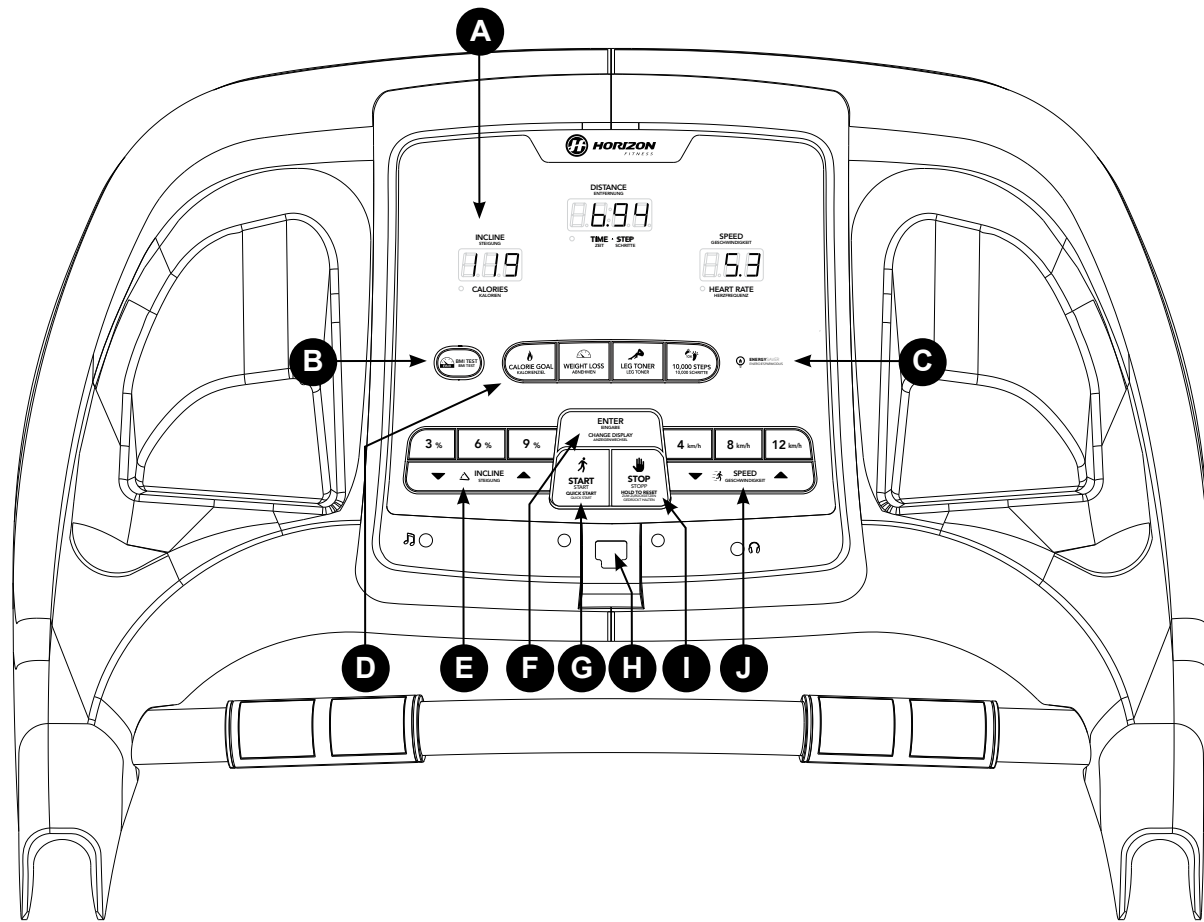
Folded Dimensions (L×W×H) : 116 x 70 x 144 cm /  
46" x 28" x 57"

# TREADMILL OPERATION

This section explains how to use your treadmill's console and programming. The BASIC OPERATION section in the TREADMILL GUIDE has instructions for the following:

- LOCATION OF THE TREADMILL
- USING THE SAFETY KEY
- FOLDING THE TREADMILL
- MOVING THE TREADMILL
- LEVELING THE TREADMILL
- TENSIONING THE RUNNING BELT
- CENTERING THE RUNNING BELT
- USING THE HEART RATE FUNCTION





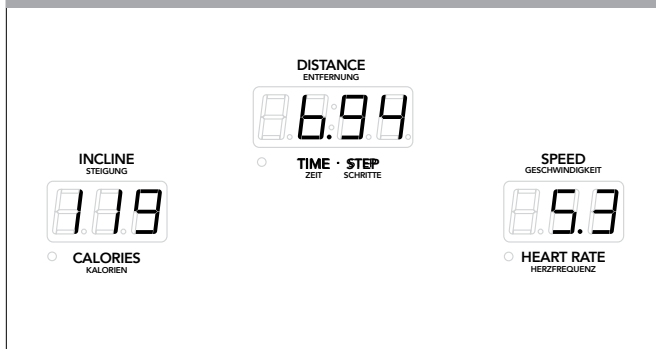
## T82 CONSOLE OPERATION

Note: There is a thin protective sheet of clear plastic on the overlay of the console that should be removed before use.

- A) LED DISPLAY WINDOWS:** Time, Distance, Speed, Incline, Calories, Heart Rate and Steps (with 10K Steps program only).
- B) BMI TEST:** BMI test direct key. Input your weight and height after pressing this key. Your machine will help you calculate your BMI index for future tracking.
- C) ENERGY SAVER :** To minimize energy consumption, your machine will enter energy saver mode automatically (after entering stand-by mode for 15 mins) and could be quickly waken up with a touch of a button.
- D) PROGRAM DIRECT KEYS:** Intuitive direct key help you set your program more easily. (Refer to program information for more details).
- E) INCLINE KEYS:** used to adjust incline in small increments (0.5% Increments).
- F) ENTER BUTTON :** used to confirm setting of workout program or user profile.
- G) START:** press to begin exercising, start your workout, or resume exercising after pause.
- H) SAFETY KEY POSITION:** enables treadmill when safety key is inserted.
- I) STOP:** press to pause/end your workout. Hold for 3 seconds to reset the console.
- J) SPEED KEYS:** used to adjust speed in small increments (0.1 KMH increments).



## T82 DISPLAYS



## DISPLAY WINDOWS

- **TIME:** Shown as minutes : seconds. View the time remaining or the time elapsed in your workout.
- **DISTANCE:** Shown as km or miles. Indicates distance traveled or distance remaining during your workout.
- **SPEED:** Shown as MPH or KMPH. Indicates how fast your walking or running surface is moving.
- **CALORIES:** Total calories burned or calories remaining left to burn during your workout.
- **HEART RATE:** Shown as BPM (beats per minute). Used to monitor your heart rate (displayed when contact is made with both pulse grips).
- **INCLINE:** Shown as percent. Indicates the incline of your walking or running surface.
- **STEPS:** (Use on 10K Steps program only). To display the steps remained in your workout.

## GETTING STARTED

- 1) Check to make sure no objects are placed on the belt that will hinder the movement of the treadmill.
- 2) Plug in the power cord and turn the treadmill ON.
- 3) Stand on the side rails of the treadmill.
- 4) Attach the safety key clip to part of your clothing making sure that it is secure and will not become detached during operation.
- 5) Insert the safety key into the safety keyhole in the console.
- 6) You have two options to start your workout:

### A) QUICK START UP

Simply press the START key to begin working out. Time, distance, and calories will all count up from zero. OR...

### B) SELECT A PROGRAM

- 1) Select program by pressing the DIRECT BUTTON or using ARROW key, press ENTER to confirm setting.
- 2) If needed, select level by pressing UP and DOWN ARROW KEY, press ENTER to confirm.
- 3) When setup is complete, press START to begin your workout.

## TO CLEAR SELECTION/RESET THE CONSOLE

Hold STOP key for 3 seconds.

## FINISHING YOUR WORKOUT

When your workout is complete, the treadmill will stop and beep. You can turn off the machine or it will enter Energy Saver Mode in 15 mins.

## PROGRAM INFORMATION

NOTE:

- If speed or incline are changed during your workout, the remaining segments will be affected accordingly.
- T82 contain: calorie goal, weight loss, leg toner & 10K Steps.

- CALORIE GOAL:** Set your target calorie you want to burn today and then the speed desired. Your machine will lead you through a workout journey and help you complete your task. When you use this program you can adjust your speed and incline level during your workout. The console will automatically transfer to Calories burn and count down from your target calories.

- WEIGHT LOSS:** Promotes weight loss by increasing and decreasing the speed and incline, while keeping you in your fat burning zone. Speed and Incline changes, segments repeat every 30 seconds.times.

(Metric, km/h)

Segment	Warm Up	1	2	3	4	5	6	7	8	Cool Down			
Time	4:00 MIN	30 SEC	30 SEC	30 SEC	30 SEC	30 SEC	30 SEC	30 SEC	30 SEC	4:00 MIN			
Level 1	Incline	0.0	0.5	1.5	1.5	1.0	0.5	0.5	1.0	1.5	0.5	0.0	
	Speed	1.6	2.4	3.2	4.0	4.8	5.6	6.4	5.6	4.8	4.0	3.6	2.4
Level 2	Incline	0.0	0.5	1.5	1.5	1.0	0.5	1.0	0.5	1.0	1.5	0.5	0.0
	Speed	2.0	3.0	4.0	4.8	5.6	6.4	7.2	6.4	5.6	4.8	4.1	2.8
Level 3	Incline	0.5	1.0	2.0	2.0	1.5	1.0	1.0	1.0	1.5	2.0	1.0	0.5
	Speed	2.4	3.6	4.8	5.6	6.4	7.2	8.0	7.2	6.4	5.6	4.8	3.2
Level 4	Incline	0.5	1.0	2.0	2.0	1.5	1.0	1.0	1.0	1.5	2.0	1.0	0.5
	Speed	2.8	4.1	5.6	6.4	7.2	8.0	8.8	8.0	7.2	6.4	5.4	3.6
Level 5	Incline	1.0	1.5	2.5	2.5	2.0	1.5	1.5	1.5	2.0	2.5	1.5	1.0
	Speed	3.2	4.8	6.4	7.2	8.0	8.8	9.6	8.8	8.0	7.2	6.0	4.0
Level 6	Incline	1.0	1.5	2.5	2.5	2.0	1.5	1.5	1.5	2.0	2.5	1.5	1.0
	Speed	3.6	5.4	7.2	8.0	8.8	9.6	10.4	9.6	8.8	8.0	6.5	4.4
Level 7	Incline	1.5	2.0	3.0	3.0	2.5	2.0	2.0	2.0	2.5	3.0	2.0	1.5
	Speed	4.0	6.0	8.0	8.8	9.6	10.4	11.2	10.4	9.6	8.8	7.2	4.8
Level 8	Incline	1.5	2.0	3.0	3.0	2.5	2.0	2.0	2.0	2.5	3.0	2.0	1.5
	Speed	4.4	6.5	8.8	9.6	10.4	11.2	12.0	11.2	10.4	9.6	7.8	5.2
Level 9	Incline	2.0	2.5	3.5	3.5	3.0	2.5	2.5	2.5	3.0	3.5	2.5	2.0
	Speed	4.8	7.2	9.6	10.4	11.2	12.0	12.8	12.0	11.2	10.4	8.4	5.6
Level 10	Incline	2.0	2.5	3.5	3.5	3.0	2.5	2.5	2.5	3.0	3.5	2.5	2.0
	Speed	5.2	7.8	10.4	11.2	12.0	12.8	13.6	12.8	12.0	11.2	8.9	6.0

(British, MPH)

Segment	Warm Up	1	2	3	4	5	6	7	8	Cool Down			
Time	4:00 MIN	30 SEC	30 SEC	30 SEC	30 SEC	30 SEC	30 SEC	30 SEC	30 SEC	4:00 MIN			
Level 1	Incline	0.0	0.5	1.5	1.5	1.0	0.5	0.5	1.0	1.5	0.5	0.0	
	Speed	1.0	1.5	2.0	2.5	3.0	3.5	4.0	3.5	3.0	2.5	2.3	1.5
Level 2	Incline	0.0	0.5	1.5	1.5	1.0	0.5	1.0	0.5	1.0	1.5	0.5	0.0
	Speed	1.3	1.9	2.5	3.0	3.5	4.0	4.5	4.0	3.5	3.0	2.6	1.8
Level 3	Incline	0.5	1.0	2.0	2.0	1.5	1.0	1.0	1.0	1.5	2.0	1.0	0.5
	Speed	1.5	2.3	3.0	3.5	4.0	4.5	5.0	4.5	4.0	3.5	3.0	2.0
Level 4	Incline	0.5	1.0	2.0	2.0	1.5	1.0	1.0	1.0	1.5	2.0	1.0	0.5
	Speed	1.8	2.6	3.5	4.0	4.5	5.0	5.5	5.0	4.5	4.0	3.4	2.3
Level 5	Incline	1.0	1.5	2.5	2.5	2.0	1.5	1.5	1.5	2.0	2.5	1.5	1.0
	Speed	2.0	3.0	4.0	4.5	5.0	5.5	6.0	5.5	5.0	4.5	3.8	2.5
Level 6	Incline	1.0	1.5	2.5	2.5	2.0	1.5	1.5	1.5	2.0	2.5	1.5	1.0
	Speed	2.3	3.4	4.5	5.0	5.5	6.0	6.5	6.0	5.5	5.0	4.1	2.8
Level 7	Incline	1.5	2.0	3.0	3.0	2.5	2.0	2.0	2.0	2.5	3.0	2.0	1.5
	Speed	2.5	3.8	5.0	5.5	6.0	6.5	7.0	6.5	6.0	5.5	4.5	3.0
Level 8	Incline	1.5	2.0	3.0	3.0	2.5	2.0	2.0	2.0	2.5	3.0	2.0	1.5
	Speed	2.8	4.1	5.5	6.0	6.5	7.0	7.5	7.0	6.5	6.0	4.9	3.3
Level 9	Incline	2.0	2.5	3.5	3.5	3.0	2.5	2.5	2.5	3.0	3.5	2.5	2.0
	Speed	3.0	4.5	6.0	6.5	7.0	7.5	8.0	7.5	7.0	6.5	5.3	3.5
Level 10	Incline	2.0	2.5	3.5	3.5	3.0	2.5	2.5	2.5	3.0	3.5	2.5	2.0
	Speed	3.3	4.9	6.5	7.0	7.5	8.0	8.5	8.0	7.5	7.0	5.6	3.8





**3) LEG TONER:** Promotes lower body workout and tone your leg by increasing and decreasing the speed and incline. Speed and Incline changes, segments repeat every 30 seconds. To tone your leg muscle you need to workout properly and following guidance below:

- 1) Stretching your leg properly.
- 2) Start with slow speed and always walk with your heel touching ground softly. (A pair of proper running shoes is recommended)
- 3) Finish all workout or at least for 30mins.
- 4) Drink 500-1000 ml. of water slowly after workout.
- 5) Massage your leg and feet after workout.
- 6) repeat workout 2-3 times/week and do not over exercise at all time.

(Metric, km/h)

Segments	Warm-Up		1		2		3		4		5		6		7		8		Cool Down	
	4:00 MIN		30 SEC	30 SEC	30 SEC	30 SEC	30 SEC	30 SEC	30 SEC	30 SEC	30 SEC	30 SEC	30 SEC	30 SEC	30 SEC	30 SEC	30 SEC	30 SEC	4:00 MIN	
Level 1	0.8	1.6	2.4	3.2	4.0	4.8	5.6	6.4	7.2	8.0	8.8	9.6	10.4	11.2	12.0	12.8	13.6	14.4	1.6	0.8
Level 2	0.8	1.6	3.2	4.0	4.8	5.6	6.4	7.2	8.0	8.8	9.6	10.4	11.2	12.0	12.8	13.6	14.4	15.2	1.6	0.8
Level 3	0.8	2.4	4.0	4.8	5.6	6.4	7.2	8.0	8.8	9.6	10.4	11.2	12.0	12.8	13.6	14.4	15.2	16.0	2.4	1.6
Level 4	0.8	2.4	4.8	5.6	6.4	7.2	8.0	8.8	9.6	10.4	11.2	12.0	12.8	13.6	14.4	15.2	16.0	17.0	2.4	1.6
Level 5	0.8	3.2	5.6	6.4	7.2	8.0	8.8	9.6	10.4	11.2	12.0	12.8	13.6	14.4	15.2	16.0	17.0	18.0	3.2	1.6
Level 6	0.8	3.2	6.4	7.2	8.0	8.8	9.6	10.4	11.2	12.0	12.8	13.6	14.4	15.2	16.0	17.0	18.0	19.0	3.2	1.6
Level 7	0.8	4.0	7.2	8.0	8.8	9.6	10.4	11.2	12.0	12.8	13.6	14.4	15.2	16.0	17.0	18.0	19.0	20.0	4.0	2.4
Level 8	0.8	4.0	8.0	8.8	9.6	10.4	11.2	12.0	12.8	13.6	14.4	15.2	16.0	17.0	18.0	19.0	20.0	21.0	4.0	2.4
Level 9	0.8	4.8	8.8	9.6	10.4	11.2	12.0	12.8	13.6	14.4	15.2	16.0	17.0	18.0	19.0	20.0	21.0	22.0	4.8	3.2
Level 10	0.8	4.8	9.6	10.4	11.2	12.0	12.8	13.6	14.4	15.2	16.0	17.0	18.0	19.0	20.0	21.0	22.0	23.0	4.8	3.2

(British, MPH)

Segments	Warm-Up		1		2		3		4		5		6		7		8		Cool Down	
	4:00 MIN		30 SEC	30 SEC	30 SEC	30 SEC	30 SEC	30 SEC	30 SEC	30 SEC	30 SEC	30 SEC	30 SEC	30 SEC	30 SEC	30 SEC	30 SEC	30 SEC	4:00 MIN	
Level 1	0.5	1.0	1.5	2.0	2.5	3.0	3.5	4.0	4.5	5.0	5.5	6.0	6.5	7.0	7.5	8.0	8.5	9.0	1.0	0.5
Level 2	0.5	1.0	2.0	2.5	3.0	3.5	4.0	4.5	5.0	5.5	6.0	6.5	7.0	7.5	8.0	8.5	9.0	9.5	1.0	0.5
Level 3	0.5	1.5	2.5	3.0	3.5	4.0	4.5	5.0	5.5	6.0	6.5	7.0	7.5	8.0	8.5	9.0	9.5	10.0	1.5	1.0
Level 4	0.5	1.5	3.0	3.5	4.0	4.5	5.0	5.5	6.0	6.5	7.0	7.5	8.0	8.5	9.0	9.5	10.0	10.5	1.5	1.0
Level 5	0.5	2.0	3.5	4.0	4.5	5.0	5.5	6.0	6.5	7.0	7.5	8.0	8.5	9.0	9.5	10.0	10.5	11.0	2.0	1.0
Level 6	0.5	2.0	4.0	4.5	5.0	5.5	6.0	6.5	7.0	7.5	8.0	8.5	9.0	9.5	10.0	10.5	11.0	11.5	2.0	1.0
Level 7	0.5	2.5	4.5	5.0	5.5	6.0	6.5	7.0	7.5	8.0	8.5	9.0	9.5	10.0	10.5	11.0	11.5	12.0	2.5	1.5
Level 8	0.5	2.5	5.0	5.5	6.0	6.5	7.0	7.5	8.0	8.5	9.0	9.5	10.0	10.5	11.0	11.5	12.0	12.5	2.5	1.5
Level 9	0.5	3.0	5.5	6.0	6.5	7.0	7.5	8.0	8.5	9.0	9.5	10.0	10.5	11.0	11.5	12.0	12.5	13.0	3.0	2.0
Level 10	0.5	3.0	6.0	6.5	7.0	7.5	8.0	8.5	9.0	9.5	10.0	10.5	11.0	11.5	12.0	12.5	13.0	13.5	3.0	2.0

**4) 10,000 STEPS:** Direct key for step-based program. The treadmill will automatically transfer your workout setting into steps taken and help you reach your daily step goal. (See note below for more details).

Note:

Steps formula: Calculation based of average stride length of 2.6 feet (0.8 meter / 31 inches)

Steps = distance/average stride length

eg: 1mile = 5280 feet (1609 meters) = 5,280/2.6 =2030 steps

**BMI TEST:** BMI test direct key to help you gain your BODY MASS INDEX. Input your weight and height after pressing this key. Your machine will help you calculate your BMI index for future tracking.

BMI formula:

Kilograms and meters (or centimeters) Formula: weight (kg) / [height (m)]<sup>2</sup>

Pounds and inches Formula: weight (lb) / [height (in)]<sup>2</sup> x 703

Category	BMI range – kg/m <sup>2</sup>
Very severely underweight	less than 15
Severely underweight	from 15.0 to 16.0
Underweight	from 16.0 to 18.5
Normal (healthy weight)	from 18.5 to 25
Overweight	from 25 to 30
Obese Class I (Moderately obese)	from 30 to 35
Obese Class II (Severely obese)	from 35 to 40

Note: BMI classification may vary in different area, above shows the general information from WHO. For more information feel free to refer to “BMI Classification” from World Health Organization.

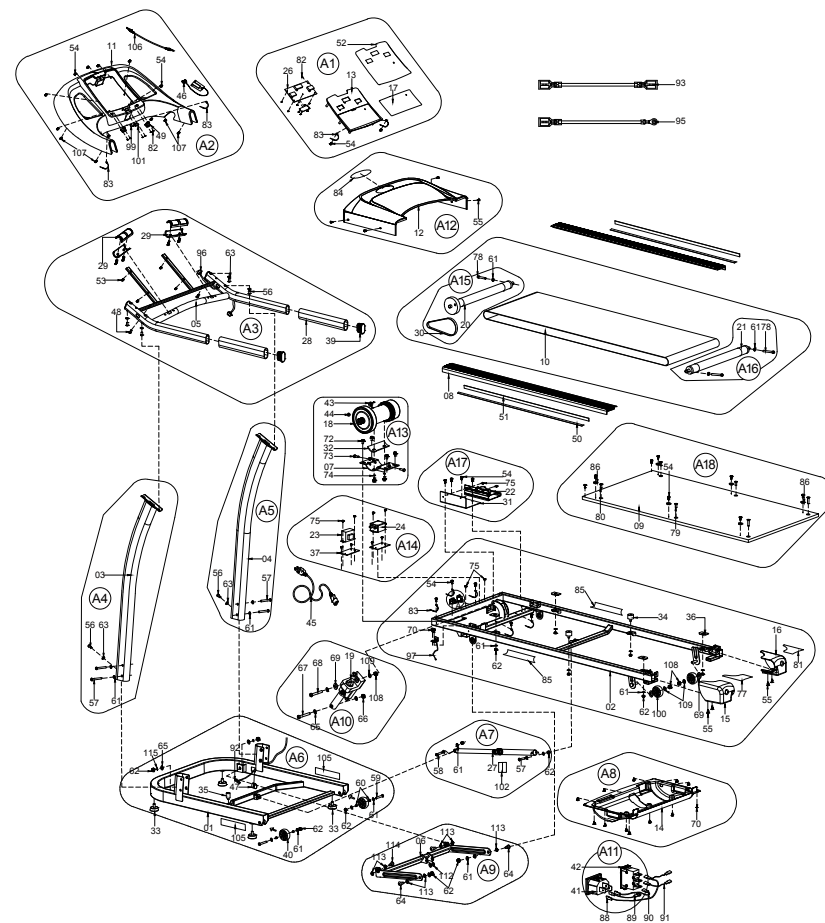


## ENERGY SAVER (STANDBY MODE)

This machine has an energy saver mode. The display will automatically enter standby mode (energy saver mode) after 15 minutes of inactivity and could be waken up with a touch of a button. Entering Energy Saver mode almost all power for the machine will be off except for some circuits that are needed to detect a key press, indicating the console should “wake up”. This feature can be turned off by entering the engineering menu.

To enter the engineering menu, press and hold the incline ▲ and speed ▼ buttons for 3-5 seconds. (\* refer to Note below)  
Use incline ▲ and speed ▼ to navigate through the menu to ENG3. Press ENTER to select. Use incline ▲ and speed ▼ to select ENRGY SAVER ON or OFF. Press and hold STOP for 3-5 seconds to exit ENG3. Press and hold STOP again for 3-5 seconds to exit the engineering menu.

## T82 EXPLODED VIEW



## T82 PARTS LIST

NO.	DESCRIPTION	QTY
A9	INCLINE MOUNTING SET	1
06	INCLINE MOUNTING	1
64	M8 STAGE SCREW;M8X28	2
114	M8 STAGE SCREW;M8X32.5MM	2
61	Φ8 FLAT WASHER	2
62	M8 LOCKNUT	2
112	NYLON SPACER;Φ24XΦ13XT1.0	2
113	DRY BEARING;Φ18XΦ10XT4.0	8
A7	AIR SHOCK SET	1
27	AIR SHOCK	1
57	M8X45 SCREW	1
58	M8X35 SCREW	1
61	Φ8 FLAT WASHER	4
62	M8 LOCKNUT	2
102	AIR SHOCK STICK	1
A13	MOTOR SET 220V	1
07	MOTOR MOUNTING	1
18	DC MOTOR 220V	1
32	MOTOR CUSHION	1
43	MAGNETIC RING;Φ31XΦ19X13MM	1
44	MAGNETIC RING;Φ25XΦ15X12MM	1
72	M8X12 BOLT	6
73	M8X30 BOLT	2
74	PAD;Φ8	2
A12	MOTOR COVER SET	1

NO.	DESCRIPTION	QTY
12	MOTOR COVER	1
55	ST4.2X16 SCREW	4
84	LOGO	1
A4	LEFT CONSOLE MAST SET	1
03	LEFT CONSOLE MAST	1
56	M8X16 SCREW	1
57	M8X53 SCREW	2
61	Φ8 FLAT WASHER	2
63	ARC WASHER	1
A5	RIGHT CONSOLE MAST SET	1
04	RIGHT CONSOLE MAST	1
56	M8X16 SCREW	1
57	M8X53 SCREW	2
61	Φ8 FLAT WASHER	2
63	ARC WASHER;Φ8	1
A2	CONSOLE COVER SET	1
11	CONSOLE	1
49	AUDIO HEAD FIXED PLATE	2
106	AUDIO CABLE;400MM,3PIN	1
99	MAGNETICINCREASING PLATE;Φ18X4.0	1
46	SAFETY KEY	1
82	ST3X8 SCREW	6
83	TIE	2
101	SAFETY KEY	1
107	ST4.2X13 SCREW	4

NO.	DESCRIPTION	QTY
54	ST4.2X13 SCREW	9
A1	OVERLAY SET WITH EN(DIGITAL)	1
82	ST3X8 SCREW	9
26	CONSOLE CONTROLLER BOARD(220V)(DIGITAL)	1
13	CONSOLE COVER	1
52	CONSOLE STICKER (EN)	1
17	FILM KEY BOARD	1
83	TIE	2
54	ST4.2X13 SCREW	2
A15	FRONT ROLLER SET	1
20	FRONT ROLLER;Φ42	1
30	DRIVE BELT;PJ483/190J/6 SC30	1
61	Φ8 FLAT WASHER	1
78	M8X55 SCREW	1
A16	REAR ROLLER SET	1
21	REAR ROLLER;Φ42	1
61	Φ8 FLAT WASHER;Φ8	2
78	M8X55 SCREW	2
A11	POWER CORD SET	1
41	SOCKET	1
42	RESET/OFF CIRCUIT BREAKER 220V	1
45	POWER CORD	1
88	AC INPUT WIRE(BLACK);100/250MM	1
89	GROUND WIRE(YELLOW&GREEN);350MM	1
90	AC INPUT WIRE(RED);250MM	1

NO.	DESCRIPTION	QTY
91	AC OUTPUT WIRE(RED);100MM	1
93	AC POWER WIRE(RED);550MM	1
95	FILTER WIRE(YELLOW&GREEN);100MM	1
A14	FILTER SET	1
23	INDUCTANCE	1
24	FILTER	1
37	FILTER PLATE	2
75	M4X8 SCREW	8
A17	CONTROLLER SET-ERP DIGITAL)	1
22	CONTROLLER-ERP(DIGITAL)	1
31	CONTROLLER FIXED PLATE;177X174X2.0MM	1
54	ST4.2X13 SCREW	4
75	M4X8 SCREW	2
A3	CONSOLE FRAME SET	1
5	CONSOLE FRAME	1
28	FOAM;315MMX3.0MM,Φ32MMX1.5	2
29	RIGHT HEAT RATE	2
39	ELLIPTICAL PLUG	2
48	ST4.2X30 SCREW	2
53	ST4.2X20 SCREW	4
56	M8*16 BOLT	4
63	ARC WASHER;Φ8	4
96	CONSOLE CONNECT WIRE;550MM,5PIN	1
A10	INCLINE MOTOR SET 220V	1
19	INCLINE MOTOR 220V	1

## T82 PARTS LIST

NO.	DESCRIPTION	QTY
65	Φ10 FLAT WASHER	2
66	M10 LOCKNUT	1
67	M10X65 BOLT	1
68	M10X50 BOLT	1
69	PAD;Φ25XΦ10.5XT2.0	2
108	M10 LOCKNUT	1
109	Φ10 FLAT WASHER	2
A18	RUNNING DECK SET	1
9	RUNNING DECK;1260X57XT15	1
54	ST4.2X13 SCREW	8
79	M8X20 BOLT	2
80	M8X35 BOLT	4
86	GUIDE	6
A6	BASE FRAME SET	1
01	BASE FRAME	1
33	BUMPER;M10,15MM	4
35	RUBBER PAD;35XΦ20MM	1
40	Φ60 WHEEL	2
47	WIRE PROTECTING PULG;42X26X9MM	1
59	M8X50 SCREW	2
60	Φ13.2XΦ8.2X7	4
61	Φ8 FLAT WASHER	4
62	M8 LOCKNUT	4
65	Φ10 FLAT WASHER	2
115	PAD;Φ8	2

NO.	DESCRIPTION	QTY
92	BASE CONNECT WIRE;1700MM,5PIN	1
105	CAUTION MARK□CN,EN□	2
A8	LOWER MOTOR COVER SET	1
14	LOWER MOTOR COVER	1
70	ST4.2X13 SCREW	12
A19	MAIN FRAME SET	1
02	MAIN FRAME	1
08	FOOT RAIL	2
10	RUNNING BELT;2820X415XT1.6	1
15	LEFT ROLLER END CAP	1
16	RIGHT ROLLER END CAP	1
34	RUBBER CUSHION;Φ30X20	2
36	PLATFORM CUSHION;45X33XT3.0	4
50	SINGLE-SIDED ADHESIVE;20X1120XT2.0	2
51	SINGLE-SIDED ADHESIVE;20X1120XT1.0	2
54	ST4.2X13 SCREW	5
61	Φ8 FLAT WASHER	6
62	M8 LOCKNUT	6
109	Φ10 FLAT WASHER	2
69	PLASTIC SPACER;Φ25XΦ10.5XT2.0	2
70	ST4.2X13 SCREW	2
75	M4X8 SCREW	2
83	TIE	5
77	STICKER	1
81	STICKER	1

NO.	DESCRIPTION	QTY
85	DECORATION STICKER	2
97	REED SWITCH(DIGITAL);900MM,2PIN	1
100	WHEEL;Φ60XΦ10.2X25	2
108	M10 LOCKNUT	2
55	ST4.2X16 SCREW	4
	TOOLING BACK	1
	CARTON	1
	CARTON INNER	1

#### Eng: Waste Disposal

VISION Fitness / HORIZON Fitness / TEMPO Fitness / TREO Fitness products are recyclable. At the end of its useful life please dispose of this article correctly and safely (local refuse sites).

#### Ger: Entsorgungshinweis

Die Produkte VISION Fitness/HORIZON Fitness/TEMPO Fitness/TREO Fitness sind recycelbar. Führen Sie das Gerät am Ende der Nutzungsdauer einer sachgerechten Entsorgung zu (örtliche Sammelstelle).

#### Dut: Verwijderingsaanwijzing

VISION Fitness / HORIZON Fitness / TEMPO Fitness / TREO Fitness producten zijn recyclebaar. Breng het apparaat aan het einde van de gebruiksduur naar een in recycling gespecialiseerd bedrijf (plaatselijk verzamelpunt).

#### Fre: Remarque relative à la gestion des déchets

Les produits VISION Fitness / HORIZON Fitness / TEMPO Fitness / TREO Fitness sont recyclables. Lorsque cet appareil arrive en fin de vie, veuillez l'éliminer de manière correcte et en toute sécurité en le déposant dans une déchetterie communale.

#### Ita: Indicazione sullo smaltimento

I prodotti VISION Fitness / HORIZON Fitness / TEMPO Fitness / TREO Fitness sono riciclabili. Quando l'apparecchio non servirà più, portarlo in un apposito punto di raccolta della propria città (punti di raccolta comunali).

#### Spe: Gestión de residuos

Los productos de VISION Fitness / HORIZON Fitness / TEMPO Fitness / TREO Fitness son reciclables. Cuando se termine su vida útil, por favor deshágase de este artículo de forma correcta y segura en un punto limpio.

#### Prb: Descarte

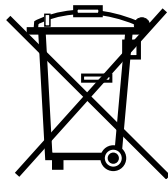
Os produtos VISION Fitness / HORIZON Fitness / TEMPO Fitness / TREO Fitness são recicláveis. No final de sua vida útil, descarte este equipamento corretamente e com segurança (sites de locais de lixo).

#### ChT: 廢棄物處理

VISION Fitness / HORIZON Fitness / TEMPO Fitness / TREO Fitness 產品為可回收產品。產品的使用年限期滿後，請依照正確且安全的方式處理本廢棄商品(當地的廢棄場)。

#### ChS: 废弃物处理

VISION Fitness / HORIZON Fitness / TEMPO Fitness / TREO Fitness 产品是可回收利用的。在其使用期结束后，请正确安全地（在本地垃圾处理场）处理本品。



# AUFBAU

## ⚠ ACHTUNG

Es gibt mehrere Bereiche, auf die es bei der Montage besonders zu achten gilt. Die Montageanleitung sollte unbedingt genau befolgt und alle Teile fest angezogen werden. Wenn die Montageanleitung nicht korrekt befolgt wird, können Rahmenteile des Laufbands lose sitzen und störende Geräusche auslösen. Um Schäden am Laufband zu vermeiden, muss die Montageanleitung geprüft und entsprechende Abhilfemaßnahmen ergriffen werden.

Bevor Sie fortfahren, suchen Sie die Seriennummer Ihres Laufbandes auf dem vorderen Stabilisatorrohr und tragen Sie sie in das dafür vorgesehene Feld unten ein. Notieren Sie sich auch den Modellnamen, der sich neben der Seriennummer befindet.

GEBEN SIE SERIENNUMMER UND MODELLBEZEICHNUNG IN DIE UNTENSTEHENDEN FELDER EIN:

SERIENNUMMER:

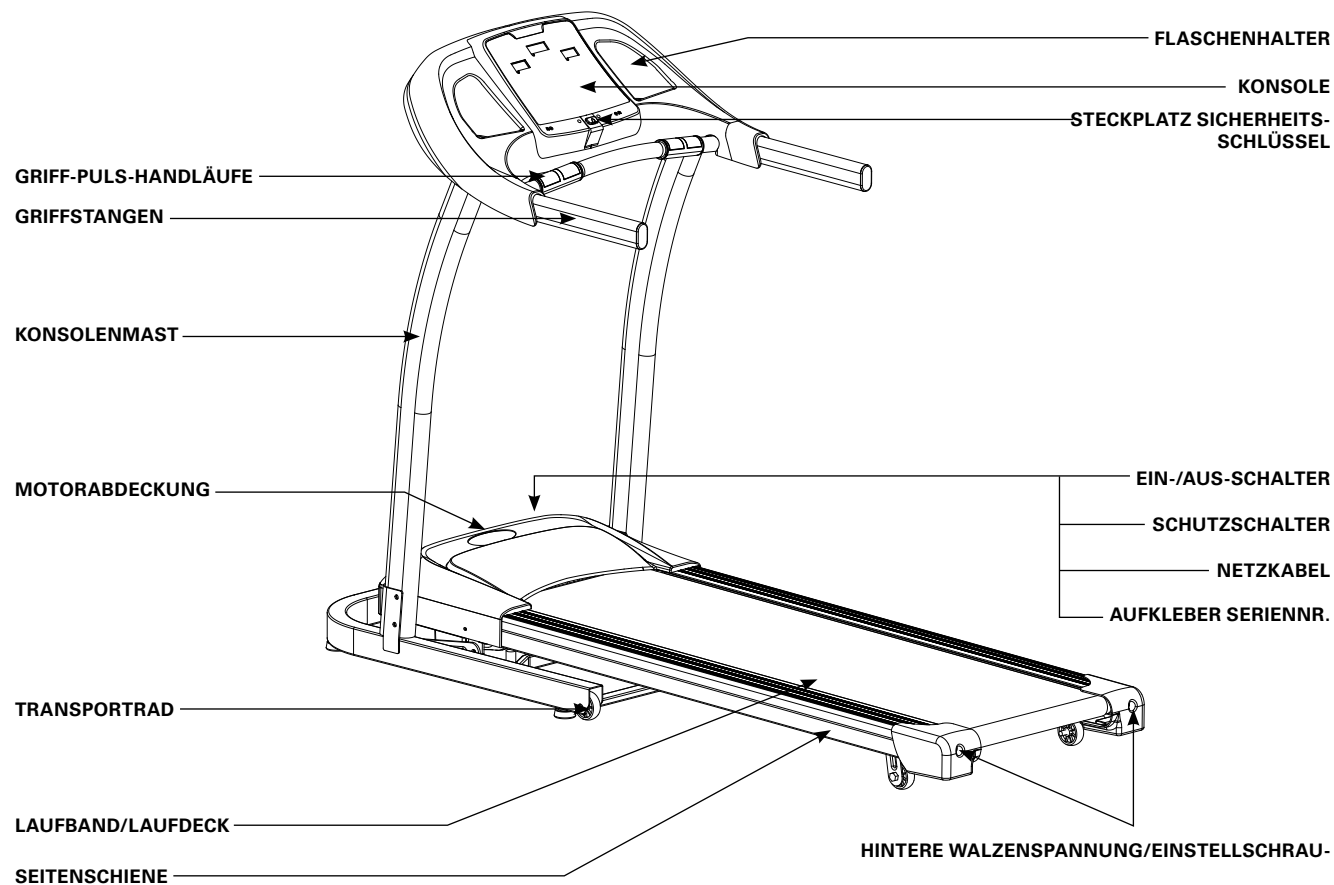
--	--	--	--	--	--	--	--	--	--	--	--	--	--	--	--	--	--	--	--

MODELLNAME: **HORIZON**

--	--	--	--	--	--	--	--	--	--	--	--	--	--	--	--	--	--	--	--

**LAUFBAND**





## ENTHALTENE WERKZEUGE:

- Inbusschlüssel/Schraubendreher 5 mm
- Inbusschlüssel 6 mm

## ENTHALTENE TEILE:

- 1 Konsoleneinheit
- 2 Konsolenmasten
- 1 Bausatz
- 1 Sicherheitsschlüssel
- 1 Netzkabel
- 1 Silikon



## BENÖTIGEN SIE HILFE?

Wenn Sie Fragen haben oder Teile fehlen, wenden Sie sich bitte an Ihren Händler vor Ort.

## VOR MONTAGE

### AUSPACKEN

Platzieren Sie den Laufbandkarton auf einer ebenen, geraden Fläche. Es wird empfohlen, eine schützende Unterlage auf den Boden zu legen. Seien Sie bei Handhabung und Transport des Geräts stets VORSICHTIG. Öffnen Sie den Karton nicht, wenn er auf der Seite liegt. Heben oder transportieren Sie das Gerät nach dem Entfernen der Transportbänder erst, wenn es vollständig aufgebaut ist. Nehmen Sie das Gerät aus der Verpackung und montieren Sie es dort, wo es verwendet werden soll. Greifen Sie nicht nach Teilen des geeigneten Rahmens und versuchen Sie nicht, das Laufband anzuheben oder zu bewegen.

### ACHTUNG

VERSUCHEN SIE NICHT, DAS LAUFBAND ANZUHEBEN! Bewegen Sie das Laufband nicht und heben Sie es nicht aus der Verpackung, solange die Montageanleitung dies nicht ausdrücklich vorgibt. Sie können die Plastikfolie von den Konsolenmasten entfernen.

### ACHTUNG

DIE NICHTBEACHTUNG DIESER ANLEITUNG KANN ZU VERLETZUNGEN FÜHREN!

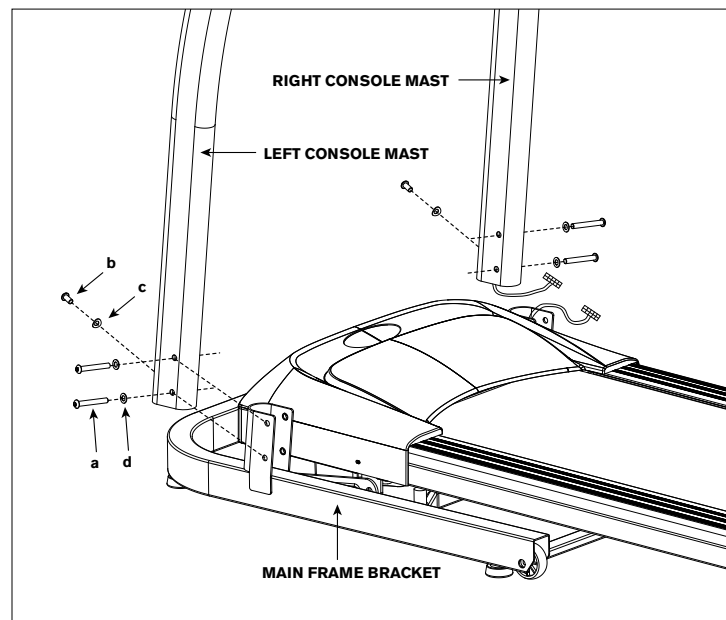
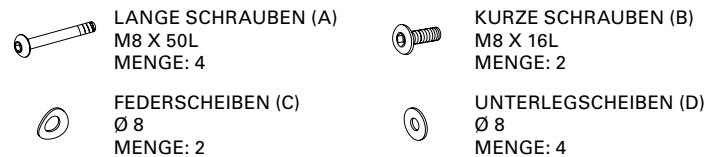
HINWEIS: Stellen Sie bei jedem Montageschritt sicher, dass ALLE Muttern und Schrauben am richtigen Platz und ein Stück weit eingedreht sind, bevor Sie die Schrauben EINZELN festziehen.

HINWEIS: Eine kleine Menge Schmierfett kann bei der Montage hilfreich sein. Jedes Fett eignet sich, z. B. Lithium-Fahrradfett.



## AUFBAU SCHRITT 1

### TEILE FÜR SCHRITT 1

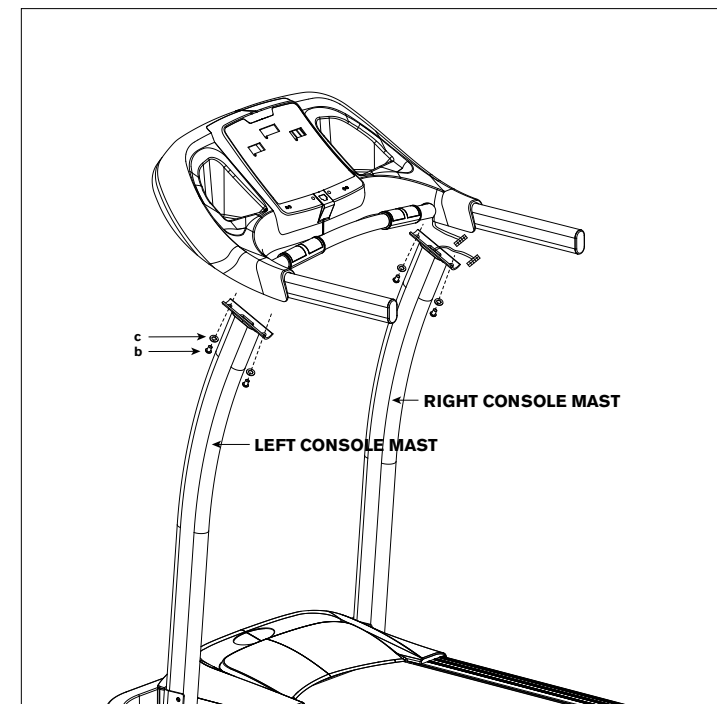
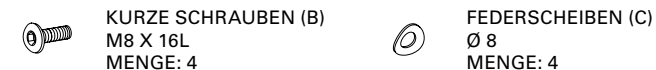


- A Öffnen Sie die Verpackung und entfernen Sie alle Teile unter der Lauffläche, indem Sie die Lauffläche anheben.
- B Öffnen Sie die **EISENWAREN-TEILE** für Schritt 1.
- C Richten Sie den **LINKEN KONSOLENMAST** an der Grundrahmenhalterung aus und befestigen Sie ihn mit 2 **LANGEN SCHRAUBEN (A)**, 1 **KURZEN SCHRAUBE (B)**, 2 **UNTERLEGSCHLEIBEN (D)** und 1 **FEDERSCHLEIBE (C)**.
- D Schließen Sie die **KONSOLENKABEL** am **RECHTEN KONSOLENMAST** an und stecken Sie die Drähte vorsichtig in den **RECHTEN KONSOLENMAST**, um Beschädigungen zu vermeiden.
- E Wiederholen Sie Schritt C am **RECHTEN KONSOLENMAST**.

**HINWEIS:** Achten Sie beim Aufbau des Konsolenmasts darauf, keine Drähte einzuklemmen oder zu brechen. Bei den Montageschritten 1 oder 2 benötigen Sie möglicherweise Hilfe; die Schrauben sollten **NICHT** vollständig angezogen werden, bevor Schritt 2 abgeschlossen ist.

## AUFBAU SCHRITT 2

### TEILE FÜR SCHRITT 2



- A Öffnen Sie die **EISENWAREN-TEILE** für Schritt 2.
- B Halten Sie die **KONSOLE** vorsichtig über den **KONSOLENMAST**.
- C Schließen Sie die **KONSOLENKABEL** rechts an und stecken Sie die Drähte vorsichtig in den **RECHTEN KONSOLENMAST**, um Schäden zu vermeiden.
- D Befestigen Sie die **KONSOLE** am **KONSOLENMAST** mit 4 **KURZEN SCHRAUBEN (B)** und 4 **UNTERLEGSCHLEIBEN (C)**.

**HINWEIS:** Befestigung der Konsole von unten. Achten Sie darauf, keine Drähte einzuklemmen, und ziehen Sie alle Schrauben vollständig an, bevor Sie das Laufband in Betrieb nehmen.





### AUFBAU ABGESCHLOSSEN!

T82

Produktgewicht: 61 kg / 134 lbs

Max. Nutzergewicht: 115 kg / 253 lbs

Abmessungen (L x B x H): 186 x 70 x 132 cm

Abmessungen zusammengeklappt (L x B x H):  
116 x 70 x 144 cm

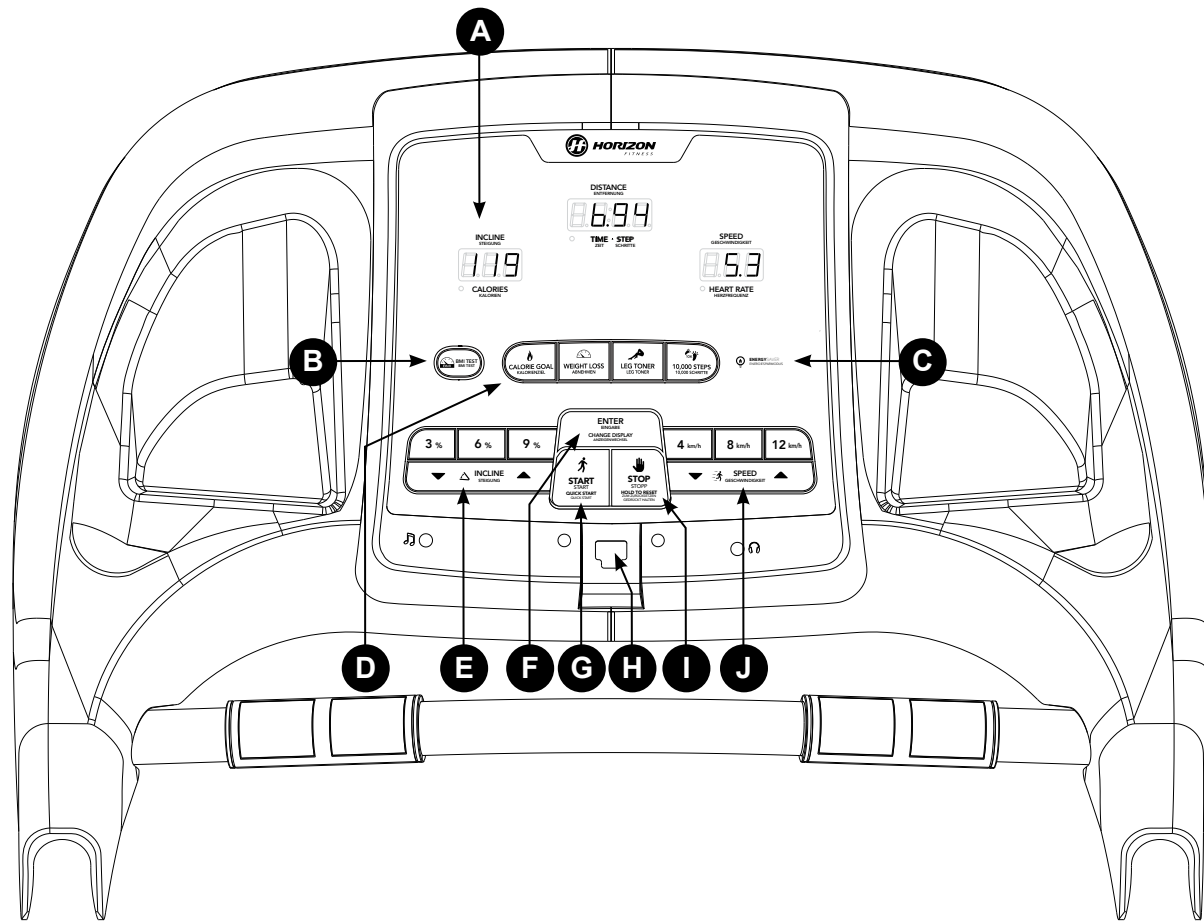
# BEDIENUNG DES LAUFBANDS



In diesem Abschnitt wird erklärt, wie Sie die Konsole Ihres Laufbands bedienen und programmieren. Der Abschnitt zum GRUNDBETRIEB im HANDBUCH ZU IHREM LAUFBAND enthält Anweisungen zu folgenden Punkten:

- STANDORT DES LAUFBANDS
- VERWENDUNG DES SICHERHEITSSCHLÜSSELS
- ZUSAMMENKLAPPEN DES LAUFBANDS
- BEWEGEN DES LAUFBANDS
- NIVELLIERUNG DES LAUFBANDS
- SPANNEN DES LAUFBANDS
- ZENTRIERUNG DES LAUFBANDS
- VERWENDUNG DER HERZFREQUENZ-FUNKTION





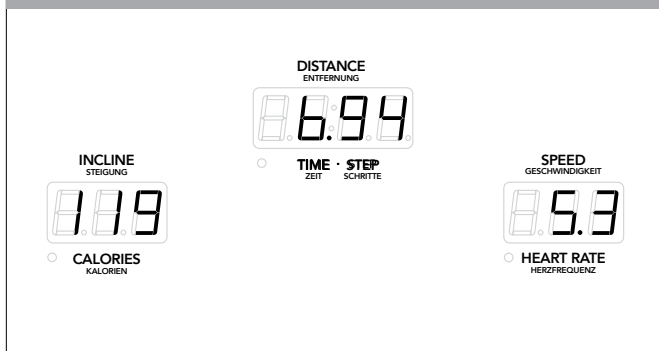
## T82 BETRIEBUNG DER KONSOLE

Hinweis: Die Konsole ist mit einer dünnen Schutzfolie aus durchsichtigem Kunststoff überzogen, die vor der Benutzung entfernt werden sollte.

- A) **LED-ANZEIGE:** Zeit, Strecke, Tempo, Steigung, Kalorien, Herzfrequenz und Schritte (nur beim 10.000-Schritte-Programm).
- B) **BMI-TEST:** BMI-Test-Direkttaste. Geben Sie nach Betätigung der Taste Ihr Gewicht und Ihre Größe ein. Ihr Gerät hilft Ihnen bei der Berechnung Ihres BMI für die weitere Beobachtung.
- C) **ENERGIESPARMODUS:** Zur Minimierung des Stromverbrauchs schaltet das Gerät nach 15 Minuten im Stand-by-Modus automatisch in den Energiesparmodus, wobei es per Knopfdruck schnell wieder aktiviert werden kann.
- D) **PROGRAMM-DIREKTTASTEN:** Die intuitiven Direkttasten helfen Ihnen bei der Einstellung des gewünschten Programms. (Für weitere Einzelheiten siehe Programminformationen.)
- E) **STEIGUNGSTASTEN:** Sie dienen zur Einstellung der Schrägstellung in kleinen Schritten (0,5 %).
- F) **EINGABETASTE:** Mit ihr können die Eingaben zum Trainingsprogramm oder Benutzerprofil bestätigt werden.
- G) **START:** Mit dieser Taste können Sie ein Training starten oder es nach einer Pause fortsetzen.
- H) **POSITION DES SICHERHEITSSCHLÜSSELS:** Das Laufband ist aktiviert, wenn der Sicherheitsschlüssel eingesteckt ist.
- I) **STOPP:** Mit dieser Taste wird das Training unterbrochen oder beendet. Drücken Sie die Taste drei Sekunden lang, um die Konsole zurückzusetzen.
- J) **GESCHWINDIGKEITSTASTEN:** Mit ihnen kann das Tempo in kleinen Schritten (0,1 km/h) eingestellt werden.



## T82 ANZEIGE



### ANZEIGEFENSTER

- **ZEIT:** Dargestellt als Minuten: Sekunden. Hier können Sie die noch verbleibende und die bereits abgelaufene Trainingszeit ablesen.
- **STRECKE:** Dargestellt als km. Zeigt die im Training zurückgelegte und verbleibende Strecke an.
- **TEMPO:** Dargestellt in km/h. Zeigt die Geschwindigkeit an, mit der sich die Lauffläche bewegt.
- **KALORIEN:** Gesamtkalorienverbrauch sowie noch zu verbrennende Kalorien beim Training.
- **HERZFREQUENZ:** Dargestellt als BPM (Schläge pro Minute). Wird zur Messung der Herzfrequenz verwendet (erscheint, wenn mit beiden Pulsgriffen Kontakt besteht).
- **STEIGUNG:** Dargestellt als Prozentangabe. Zeigt die Schrägstellung der Lauffläche an.
- **SCHRITTE:** (Nur beim 10.000-Schritte-Programm zu verwenden.) Zur Anzeige der noch verbleibenden Schritte im Training.

### ERSTE SCHRITTE

- 1) Vergewissern Sie sich, dass sich keine Gegenstände auf dem Band befinden, die die Bewegung des Laufbands behindern könnten.
- 2) Stecken Sie das Netzkabel ein und schalten Sie das Laufband EIN.
- 3) Stellen Sie sich auf die Seitenschienen des Laufbands.
- 4) Befestigen Sie den Sicherheitsschlüssel-Clip an Ihrer Kleidung und stellen Sie sicher, dass er fest sitzt und sich während des Trainings nicht lösen kann.
- 5) Stecken Sie den Sicherheitsschlüssel in das entsprechende Loch in der Konsole.
- 6) Sie haben zwei Möglichkeiten, mit dem Training zu beginnen:

#### A) SCHNELLSTART

Drücken Sie einfach die START-Taste, um mit dem Training zu beginnen.  
Zeit, Strecke und Kalorien werden von Null aufwärts gezählt.  
ODER ...

#### B) EIN PROGRAMM WÄHLEN

- 1) Wählen Sie ein Programm durch Betätigung der PROGRAMM-DIREKTTASTE oder der PFEILTASTEN und drücken Sie zur Bestätigung die Eingabetaste.
- 2) Falls erforderlich, wählen Sie einen Schwierigkeitsgrad durch Drücken der PFEILTASTEN und bestätigen Sie mit der Eingabetaste.
- 3) Wenn alle Einstellungen vorgenommen sind, drücken Sie auf START, um mit dem Training zu beginnen.

### ZUM LÖSCHEN DER AUSWAHL BZW. ZURÜCKSETZEN DER KONSOLE

Halten Sie die STOPPTASTE drei Sekunden lang gedrückt.

### BEENDIGUNG DES TRAININGS:

Wenn Ihr Training beendet ist, stoppt das Laufband und es ertönt ein Signalton. Sie können das Gerät nun ausschalten; andernfalls wechselt es nach 15 Minuten in den Energiesparmodus.



## PROGRAMMINFORMATION

### HINWEIS:

- 1) Werden Geschwindigkeit oder Steigung während des Trainings geändert, wirkt sich dies auch auf die übrigen Segmente aus.
- 2) T82 umfasst die Kategorien Kalorienziel, Gewichtsabnahme, Beinstraffung u. 10.000 Schritte.

- 1) **KALORIENZIEL:** Bestimmen Sie Ihre Zielkalorien, die Sie heute verbrennen möchten, und anschließend die gewünschte Geschwindigkeit. Ihr Gerät wird Sie durch eine Trainingsstrecke führen und Ihnen beim Erreichen Ihrer Ziele helfen. Bei diesem Programm können Sie Geschwindigkeit und Steigung während des Trainings anpassen. Die Konsole wird automatisch zum Kalorienverbrauch wechseln und von Ihrer Zielvorgabe herunterzählen.

- 2) **GEWICHTSABNAHME:** Fördert die Gewichtsabnahme durch Erhöhen und Verringern von Geschwindigkeit und Steigung, wobei man in seinem persönlichen Fettverbrennungsbereich bleibt. Geschwindigkeit und Steigung ändern sich, die Segmente wiederholen sich alle 30 Sekunden.

(Metrisch, km/h)

Segment	Aufwärmung	Zeit										Abwärmen	
		4:00 Min.	30 SEK.	1	2	3	4	5	6	7	8		4:00 Min.
Stufe 1	Steigung	0,0	0,5	1,5	1,5	1,0	0,5	0,5	0,5	1,0	1,5	0,5	0,0
	Tempo	1,6	2,4	3,2	4,0	4,8	5,6	6,4	5,6	4,8	4,0	3,6	2,4
Stufe 2	Steigung	0,0	0,5	1,5	1,5	1,0	0,5	1,0	0,5	1,0	1,5	0,5	0,0
	Tempo	2,0	3,0	4,0	4,8	5,6	6,4	7,2	6,4	5,6	4,8	4,1	2,8
Stufe 3	Steigung	0,5	1,0	2,0	2,0	1,5	1,0	1,0	1,0	1,5	2,0	1,0	0,5
	Tempo	2,4	3,6	4,8	5,6	6,4	7,2	8,0	7,2	6,4	5,6	4,8	3,2
Stufe 4	Steigung	0,5	1,0	2,0	2,0	1,5	1,0	1,0	1,0	1,5	2,0	1,0	0,5
	Tempo	2,8	4,1	5,6	6,4	7,2	8,0	8,8	8,0	7,2	6,4	5,4	3,6
Stufe 5	Steigung	1,0	1,5	2,5	2,5	2,0	1,5	1,5	1,5	2,0	2,5	1,5	1,0
	Tempo	3,2	4,8	6,4	7,2	8,0	8,8	9,6	8,8	8,0	7,2	6,0	4,0
Stufe 6	Steigung	1,0	1,5	2,5	2,5	2,0	1,5	1,5	1,5	2,0	2,5	1,5	1,0
	Tempo	3,6	5,4	7,2	8,0	8,8	9,6	10,4	9,6	8,8	8,0	6,5	4,4
Stufe 7	Steigung	1,5	2,0	3,0	3,0	2,5	2,0	2,0	2,0	2,5	3,0	2,0	1,5
	Tempo	4,0	6,0	8,0	8,8	9,6	10,4	11,2	10,4	9,6	8,8	7,2	4,8
Stufe 8	Steigung	1,5	2,0	3,0	3,0	2,5	2,0	2,0	2,0	2,5	3,0	2,0	1,5
	Tempo	4,4	6,5	8,8	9,6	10,4	11,2	12,0	11,2	10,4	9,6	7,8	5,2
Stufe 9	Steigung	2,0	2,5	3,5	3,5	3,0	2,5	2,5	2,5	3,0	3,5	2,5	2,0
	Tempo	4,8	7,2	9,6	10,4	11,2	12,0	12,8	12,0	11,2	10,4	8,4	5,6
Stufe 10	Steigung	2,0	2,5	3,5	3,5	3,0	2,5	2,5	2,5	3,0	3,5	2,5	2,0
	Tempo	5,2	7,8	10,4	11,2	12,0	12,8	13,6	12,8	12,0	11,2	8,9	6,0

(Britisch, MPH)

Segment	Aufwärmung	Zeit										Abwärmen	
		4:00 Min.	30 SEK.	1	2	3	4	5	6	7	8		4:00 Min.
Stufe 1	Steigung	0,0	0,5	1,5	1,5	1,0	0,5	0,5	0,5	1,0	1,5	0,5	0,0
	Tempo	1,0	1,5	2,0	2,5	3,0	3,5	4,0	3,5	3,0	2,5	2,3	1,5
Stufe 2	Steigung	0,0	0,5	1,5	1,5	1,0	0,5	1,0	0,5	1,0	1,5	0,5	0,0
	Tempo	1,3	1,9	2,5	3,0	3,5	4,0	4,5	4,0	3,5	3,0	2,6	1,8
Stufe 3	Steigung	0,5	1,0	2,0	2,0	1,5	1,0	1,0	1,0	1,5	2,0	1,0	0,5
	Tempo	1,5	2,3	3,0	3,5	4,0	4,5	5,0	4,5	4,0	3,5	3,0	2,0
Stufe 4	Steigung	0,5	1,0	2,0	2,0	1,5	1,0	1,0	1,0	1,5	2,0	1,0	0,5
	Tempo	1,8	2,6	3,5	4,0	4,5	5,0	5,5	5,0	4,5	4,0	3,4	2,3
Stufe 5	Steigung	1,0	1,5	2,5	2,5	2,0	1,5	1,5	1,5	2,0	2,5	1,5	1,0
	Tempo	2,0	3,0	4,0	4,5	5,0	5,5	6,0	5,5	5,0	4,5	3,8	2,5
Stufe 6	Steigung	1,0	1,5	2,5	2,5	2,0	1,5	1,5	1,5	2,0	2,5	1,5	1,0
	Tempo	2,3	3,4	4,5	5,0	5,5	6,0	6,5	6,0	5,5	5,0	4,1	2,8
Stufe 7	Steigung	1,5	2,0	3,0	3,0	2,5	2,0	2,0	2,0	2,5	3,0	2,0	1,5
	Tempo	2,5	3,8	5,0	5,5	6,0	6,5	7,0	6,5	6,0	5,5	4,5	3,0
Stufe 8	Steigung	1,5	2,0	3,0	3,0	2,5	2,0	2,0	2,0	2,5	3,0	2,0	1,5
	Tempo	2,8	4,1	5,5	6,0	6,5	7,0	7,5	7,0	6,5	6,0	4,9	3,3
Stufe 9	Steigung	2,0	2,5	3,5	3,5	3,0	2,5	2,5	2,5	3,0	3,5	2,5	2,0
	Tempo	3,0	4,5	6,0	6,5	7,0	7,5	8,0	7,5	7,0	6,5	5,3	3,5
Stufe 10	Steigung	2,0	2,5	3,5	3,5	3,0	2,5	2,5	2,5	3,0	3,5	2,5	2,0
	Tempo	3,3	4,9	6,5	7,0	7,5	8,0	8,5	8,0	7,5	7,0	5,6	3,8



**3) BEINSTRAFFUNG:** Trainiert den Unterkörper und strafft die Beine durch Erhöhen und Verringern von Geschwindigkeit und Steigung. Geschwindigkeit und Steigung ändern sich, die Segmente wiederholen sich alle 30 Sekunden. Zur Straffung der Beinmuskulatur sollten Sie nach den unten aufgeführten Anweisungen trainieren.

- 1) Dehnen Sie die Beine richtig.
- 2) Beginnen Sie mit niedriger Geschwindigkeit und laufen Sie stets so, dass Ihre Ferse den Boden nur leicht berührt. (Geeignete Laufschuhe sind empfehlenswert.)
- 3) Beenden Sie das Training insgesamt oder mindestens für 30 Minuten.
- 4) Trinken Sie nach dem Training langsam 500 bis 1000 ml Wasser.
- 5) Massieren Sie Ihre Beine und Füße nach dem Training.
- 6) Wiederholen Sie das Training zwei- bis dreimal pro Woche, aber übertreiben Sie dabei nicht.

(Metrisch, km/h)

Segmente	Aufwärmung		1		2		3		4		5		6		7		8		Abwärmen	
	4:00 MIN.		30 SEK.	30 SEK.	30 SEK.	30 SEK.	30 SEK.	30 SEK.	30 SEK.	30 SEK.	30 SEK.	30 SEK.	30 SEK.	30 SEK.	30 SEK.	30 SEK.	30 SEK.	30 SEK.	4:00 MIN.	
Stufe 1	0,8	1,6	2,4	3,2	4,0	4,8	5,6	6,4	7,2	8,0	8,8	9,6	10,4	11,2	12,0	12,8	13,6	14,4	1,6	0,8
Stufe 2	0,8	1,6	3,2	4,0	4,8	5,6	6,4	7,2	8,0	8,8	9,6	10,4	11,2	12,0	12,8	13,6	14,4	15,2	1,6	0,8
Stufe 3	0,8	2,4	4,0	4,8	5,6	6,4	7,2	8,0	8,8	9,6	10,4	11,2	12,0	12,8	13,6	14,4	15,2	16,0	2,4	1,6
Stufe 4	0,8	2,4	4,8	5,6	6,4	7,2	8,0	8,8	9,6	10,4	11,2	12,0	12,8	13,6	14,4	15,2	16,0	16,8	2,4	1,6
Stufe 5	0,8	3,2	5,6	6,4	7,2	8,0	8,8	9,6	10,4	11,2	12,0	12,8	13,6	14,4	15,2	16,0	16,8	17,6	3,2	1,6
Stufe 6	0,8	3,2	6,4	7,2	8,0	8,8	9,6	10,4	11,2	12,0	12,8	13,6	14,4	15,2	16,0	16,8	17,6	18,4	3,2	1,6
Stufe 7	0,8	4,0	7,2	8,0	8,8	9,6	10,4	11,2	12,0	12,8	13,6	14,4	15,2	16,0	16,8	17,6	18,4	19,2	4,0	2,4
Stufe 8	0,8	4,0	8,0	8,8	9,6	10,4	11,2	12,0	12,8	13,6	14,4	15,2	16,0	16,8	17,6	18,4	19,2	20,0	4,0	2,4
Stufe 9	0,8	4,8	8,8	9,6	10,4	11,2	12,0	12,8	13,6	14,4	15,2	16,0	16,8	17,6	18,4	19,2	20,0	20,8	4,8	3,2
Stufe 10	0,8	4,8	9,6	10,4	11,2	12,0	12,8	13,6	14,4	15,2	16,0	16,8	17,6	18,4	19,2	20,0	20,8	21,6	4,8	3,2

(Britisch, MPH)

Segmente	Aufwärmung		1		2		3		4		5		6		7		8		Abwärmen	
	4:00 MIN.		30 SEK.	30 SEK.	30 SEK.	30 SEK.	30 SEK.	30 SEK.	30 SEK.	30 SEK.	30 SEK.	30 SEK.	30 SEK.	30 SEK.	30 SEK.	30 SEK.	30 SEK.	30 SEK.	4:00 MIN.	
Stufe 1	0,5	1,0	1,5	2,0	2,5	3,0	3,5	4,0	4,5	5,0	5,5	6,0	6,5	7,0	7,5	8,0	8,5	9,0	1,0	0,5
Stufe 2	0,5	1,0	2,0	2,5	3,0	3,5	4,0	4,5	5,0	5,5	6,0	6,5	7,0	7,5	8,0	8,5	9,0	9,5	1,0	0,5
Stufe 3	0,5	1,5	2,5	3,0	3,5	4,0	4,5	5,0	5,5	6,0	6,5	7,0	7,5	8,0	8,5	9,0	9,5	10,0	1,5	1,0
Stufe 4	0,5	1,5	3,0	3,5	4,0	4,5	5,0	5,5	6,0	6,5	7,0	7,5	8,0	8,5	9,0	9,5	10,0	10,5	1,5	1,0
Stufe 5	0,5	2,0	3,5	4,0	4,5	5,0	5,5	6,0	6,5	7,0	7,5	8,0	8,5	9,0	9,5	10,0	10,5	11,0	2,0	1,0
Stufe 6	0,5	2,0	4,0	4,5	5,0	5,5	6,0	6,5	7,0	7,5	8,0	8,5	9,0	9,5	10,0	10,5	11,0	11,5	2,0	1,0
Stufe 7	0,5	2,5	4,5	5,0	5,5	6,0	6,5	7,0	7,5	8,0	8,5	9,0	9,5	10,0	10,5	11,0	11,5	12,0	2,5	1,5
Stufe 8	0,5	2,5	5,0	5,5	6,0	6,5	7,0	7,5	8,0	8,5	9,0	9,5	10,0	10,5	11,0	11,5	12,0	12,5	2,5	1,5
Stufe 9	0,5	3,0	5,5	6,0	6,5	7,0	7,5	8,0	8,5	9,0	9,5	10,0	10,5	11,0	11,5	12,0	12,5	13,0	3,0	2,0
Stufe 10	0,5	3,0	6,0	6,5	7,0	7,5	8,0	8,5	9,0	9,5	10,0	10,5	11,0	11,5	12,0	12,5	13,0	13,5	3,0	2,0

**4) 10.000 SCHRITTE:** Direkttaste für schrittbasiertes Programm. Das Laufband übersetzt Ihre Trainingseinstellung automatisch in Schritte und hilft Ihnen bei der Erreichung Ihres täglichen Schrittziels. (Siehe Hinweis unten für weitere Details.)

Hinweis:

Schritte-Formel: Die Berechnung basiert auf einer durchschnittlichen Schrittlänge von 2,6 Fuß bzw. 0,8 Meter

Schritte = Abstand/durchschnittliche Schrittlängez.

B.: 1 Meile = 5280 Fuß (1609 Meter) = 5280/2,6 = 2030 Schritte

**BMI-TEST:** Über die BMI-Test-Direktaste können Sie Ihren KÖRPERMASSENINDEX ermitteln. Geben Sie nach Betätigung der Taste Ihr Gewicht und Ihre Größe ein. Ihr Gerät hilft Ihnen bei der Berechnung Ihres BMI für die weitere Beobachtung.

BMI-Formel:

Formel mit Kilogramm und Meter (oder Zentimeter): Gewicht (kg)/[Körpergröße (m)]<sup>2</sup>

Formel mit Pfund und Zoll: Gewicht (lb)/[Körpergröße (in)]<sup>2</sup> x 703

Kategorie	BMI-Bereich – kg/m <sup>2</sup>
Starkes Untergewicht	unter 15
Mäßiges Untergewicht	15,0 bis 16,0
Leichtes Untergewicht	16,0 bis 18,5
Normalgewicht (gesundes Gewicht)	18,5 bis 25
Präadipositas	25 bis 30
Adipositas Grad I (leichtes Übergewicht)	30 bis 35
Adipositas Grad II (mäßiges Übergewicht)	35 bis 40
Adipositas Grad III (starkes Übergewicht)	über 40

Hinweis: Die BMI-Klassifikation kann in einzelnen Bereichen variieren, oben sind die allgemeinen Informationen der WHO aufgeführt.

Nähere Informationen finden Sie bei der Weltgesundheitsorganisation unter „BMI-Klassifikation“.

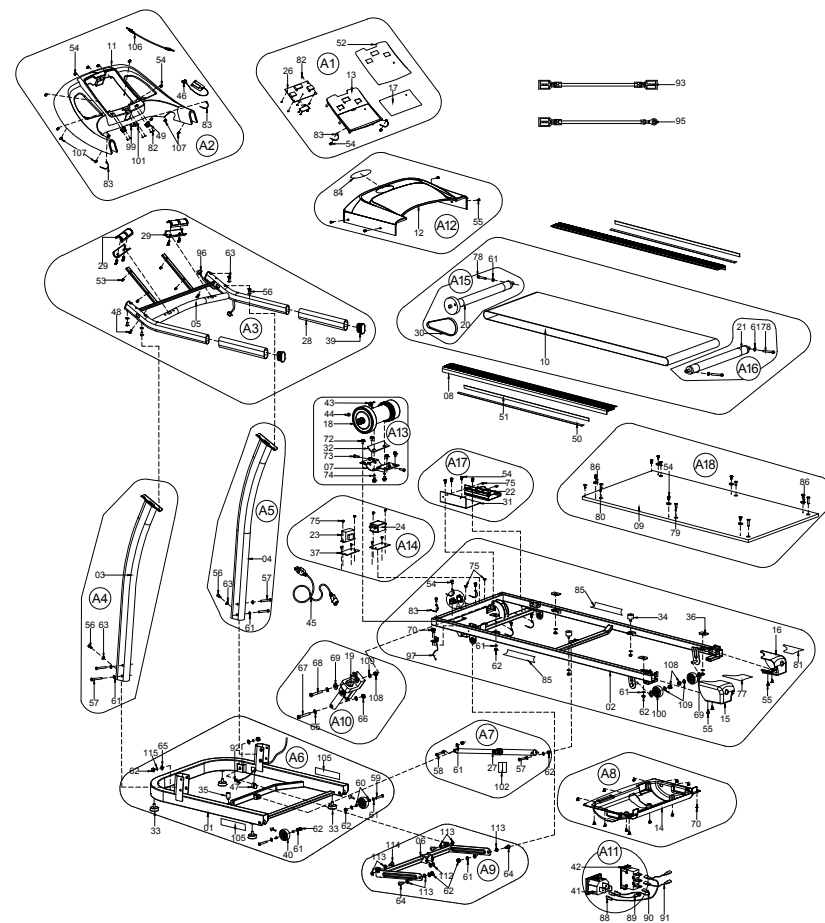


## ENERGIESPARMODUS („STANDBY“)

Dieses Gerät verfügt über einen Energiesparmodus. Das Display wechselt nach 15 Minuten Inaktivität automatisch in den Standby-Modus (Energiesparmodus) und kann mit einem Knopfdruck wieder aktiviert werden. Beim Eintritt in den Energiesparmodus wird fast die gesamte Stromversorgung des Geräts abgeschaltet, mit Ausnahme einiger Schaltkreise, die für die Erkennung eines Tastendrucks erforderlich sind, sodass die Konsole wieder „aufwachen“ kann. Diese Funktion kann im Entwicklermenü deaktiviert werden.

Um in das Entwicklermenü zu gelangen, halten Sie die Neigungs- ▲ und Geschwindigkeitstasten ▼ drei bis fünf Sekunden lang gedrückt. (\* siehe Hinweis unten) Verwenden Sie die Pfeiltasten für Steigung ▲ und Geschwindigkeit ▼, um durch das Menü zu ENG3 zu navigieren. Bestätigen Sie mit der Eingabetaste. Mit den Pfeiltasten für Steigung ▲ und Geschwindigkeit ▼ schalten Sie den Energiesparmodus EIN bzw. AUS. Halten Sie die STOP-Taste drei bis fünf Sekunden lang gedrückt, um ENG3 zu verlassen. Halten Sie die STOP-Taste erneut für drei bis fünf Sekunden gedrückt, um auch das Entwicklermenü zu verlassen.

## T82 ERWEITERTE ANSICHT



## T82 TEILELISTE

NR.	BESCHREIBUNG	MENGE
A9	MONTAGESATZ FÜR SCHRÄGSTELLUNG	1
06	MONTAGE SCHRÄGSTELLUNG	1
64	M8 BÜHNENSCHRAUBEN;M8X32,5MM	2
114	M8 BÜHNENSCHRAUBEN;M8X32,5MM	2
61	UNTERLEGSCHLEIBE Ø8	2
62	M8 KONTERMUTTERN	2
112	NYLON-ABSTANDSHALTER;Ø24XØ13XT1,0	2
113	TROCKENLAGER;Ø18XØ10XT4,0	8
A7	STOSSDÄMPFERSATZ	1
27	STOSSDÄMPFER	1
57	M8X45 KONTERMUTTERN	1
58	M8X35 KONTERMUTTERN	1
61	UNTERLEGSCHLEIBE Ø8	4
62	M8 KONTERMUTTERN	2
102	STOSSDÄMPFERSTAB	1
A13	MOTORSATZ 220V	1
07	MONTAGE MOTOR	1
18	GLEICHSTROMMOTOR 220V	1
32	MOTORDÄMPFUNG	1
43	MAGNETRING;Ø31XØ91X13MM	1
44	MAGNETRING;Ø25XØ15X12MM	1
72	SCHRAUBEN M8X12	6
73	SCHRAUBEN M8X30	2
74	UNTERLAGE;Ø8	2
A12	MOTORABDECKSATZ	1

NR.	BESCHREIBUNG	MENGE
12	MOTORABDECKUNG	1
55	SCHRAUBEN ST4,2X16	4
84	LOGO	1
A4	SATZ LINKER KONSOLENMAST	1
03	LINKER KONSOLENMAST	1
56	M8X16 KONTERMUTTERN	1
57	M8X53 KONTERMUTTERN	2
61	UNTERLEGSCHLEIBE Ø8	2
63	FEDERSCHLEIBEN	1
A5	SATZ RECHTER KONSOLENMAST	1
04	RECHTER KONSOLENMAST	1
56	M8X16 KONTERMUTTERN	1
57	M8X53 KONTERMUTTERN	2
61	UNTERLEGSCHLEIBE Ø8	2
63	FEDERSCHLEIBEN;Ø8	1
A2	KONSOLENABDECKSATZ	1
11	KONSOLE	1
49	AUDIOKOPFPLATINE	2
106	AUDIOKABEL;400MM,DREIPOLIG	1
99	MAGNETISCHE VERSTÄRKUNGSPLATTE;Ø18X4,0	1
46	SICHERHEITSSCHLÜSSEL	1
82	ST3X8 KONTERMUTTERN	6
83	BAND	2
101	SICHERHEITSSCHLÜSSEL	1
107	SCHRAUBEN ST4,2X13	4

NR.	BESCHREIBUNG	MENGE
54	SCHRAUBEN ST4,2X13	9
A1	AUFLAGESATZ MIT EN (DIGITAL)	1
82	ST3X8 KONTERMUTTERN	9
26	KONSOLENSTEUERPLATINE (220V)(DIGITAL)	1
13	KONSOLENABDECKUNG	1
52	KONSOLENETIKETT (EN)	1
17	TASTATURFOLIE	1
83	BAND	2
54	SCHRAUBEN ST4,2X13	2
A15	VORDERER ROLLENSATZ	1
20	VORDERROLLE;Ø42	1
30	ANTRIEBSRIEMMEN;PJ483/190J/6 SC30	1
61	UNTERLEGSCHLEIBE Ø8	1
78	M8X55 KONTERMUTTERN	1
A16	HINTERER ROLLENSATZ	1
21	HINTERROLLE;Ø42	1
61	UNTERLEGSCHLEIBE Ø8	2
78	M8X55 KONTERMUTTERN	2
A11	NETZKABELSATZ	1
41	AUFNAHME	1
42	SCHUTZSCHALTER RÜCKSETZEN/AUS 220V	1
45	NETZKABEL	1
88	WECHSELSTROM-EINGANGSKABEL (SCHWARZ);100/250MM	1
89	ERDUNGSLEITUNG (GELB/GRÜN);350MM	1
90	WECHSELSTROM-EINGANGSKABEL (ROT);250MM	1

NR.	BESCHREIBUNG	MENGE
91	WECHSELSTROM-AUSGANGSKABEL (ROT);100MM	1
93	WECHSELSTROMKABEL (ROT);550MM	1
95	FILTERLEITUNG (GELB/GRÜN);100MM	1
A14	FILTERSATZ	1
23	INDUKTANZ	1
24	FILTER	1
37	FILTERPLATINE	2
75	M4X8 KONTERMUTTERN	8
A17	ERP-REGLERSATZ (DIGITAL)	1
22	ERP-REGLER (DIGITAL)	1
31	REGLERPLATINE; 177X174X2,0MM	1
54	SCHRAUBEN ST4,2X13	4
75	M4X8 KONTERMUTTERN	2
A3	KONSOLENRAHMENSATZ	1
5	KONSOLENRAHMEN	1
28	SCHAUMSTOFF;315X3,0MM,Ø32X1,5MM	2
29	HEIZLEISTUNG RECHTS	2
39	ELLIPTISCHER STECKER	2
48	SCHRAUBEN ST4,2X30	2
53	SCHRAUBEN ST4,2X20	4
56	SCHRAUBE M8X16	4
63	FEDERSCHLEIBEN;Ø8	4
96	KONSOLEN-ANSCHLUSSKABEL; 550 MM,FÜNFPOLIG	1
A10	MOTORSATZ FÜR SCHRÄGSTELLUNG 220V	1
19	MOTOR FÜR SCHRÄGSTELLUNG 220V	1

## T82 TEILELISTE

NR.	BESCHREIBUNG	MENGE
65	UNTERLEGSCHLEIBEN Ø10	2
66	M10 KONTERMUTTERN	1
67	SCHRAUBEN M10X65	1
68	SCHRAUBEN M10X50	1
69	UNTERLAGEN;Ø25XØ10,5XT2,0	2
108	M10 KONTERMUTTERN	1
109	UNTERLEGSCHLEIBEN Ø10	2
A18	LAUFFLÄCHENSATZ	1
9	LAUFFLÄCHE;1260X57XT15	1
54	SCHRAUBEN ST4,2X13	8
79	SCHRAUBEN M8X20	2
80	SCHRAUBEN M8X35	4
86	ANLEITUNG	6
A6	BASISRAHMENSATZ	1
01	BASISRAHMEN	1
33	DÄMPFER;M10X15MM	4
35	GUMMIUNTERLAGE;35XØ20MM	1
40	RÄDER Ø60	2
47	KABELSCHUTZSTECKER;42X26X9MM	1
59	M8X50 KONTERMUTTERN	2
60	Ø13,2XØ8,2X7	4
61	UNTERLEGSCHLEIBE Ø8	4
62	M8 KONTERMUTTERN	4
65	UNTERLEGSCHLEIBEN Ø10	2
115	UNTERLAGE;Ø8	2

NR.	BESCHREIBUNG	MENGE
92	ANSCHLUSSKABEL BASIS;1700MM, FÜNFPOLIG	1
105	GEFAHRENHINWEIS (CN,EN)	2
A8	MOTORABDECKSATZ UNTEN	1
14	MOTORABDECKUNG UNTEN	1
70	SCHRAUBEN ST4,2X13	12
A19	HAUPTRAHMENSATZ	1
02	HAUPTRAHMEN	1
08	FUSSSCHIENEN	2
10	LAUFFLÄCHE;2820X415XT1,6	1
15	ROLLEN-ENDKAPPE LINKS	1
16	ROLLEN-ENDKAPPE RECHTS	1
34	GUMMIDÄMPFER;Ø30X20	2
36	PLATTFORMDÄMPFER;45X33XT3,0	4
50	EINSEITIGES KLEBMITTEL;20X1120XT2,0	2
51	EINSEITIGES KLEBMITTEL;20X1120XT1,0	2
54	SCHRAUBEN ST4,2X13	5
61	UNTERLEGSCHLEIBE Ø8	6
62	M8 KONTERMUTTERN	6
109	UNTERLEGSCHLEIBEN Ø10	2
69	KUNSTSTOFFABSTANDHALTER;Ø25XØ10,5XT2,0	2
70	SCHRAUBEN ST4,2X13	2
75	M4X8 KONTERMUTTERN	2
83	BAND	5
77	AUFKLEBER	1
81	AUFKLEBER	1

NR.	BESCHREIBUNG	MENGE
85	DEKORAUFKLEBER	2
97	ROTER SCHALTER (DIGITAL); 900MM, ZWEIPOLIG	1
100	RÄDER;Ø60XØ10,2X25	2
108	M10 KONTERMUTTERN	2
55	SCHRAUBEN ST4,2X16	4
	WERKZEUGRÜCKSEITE	1
	KARTON	1
	INNERER KARTON	1

#### Dt.: Entsorgungshinweis

Die Produkte VISION Fitness/HORIZON Fitness/TEMPO Fitness/TREO Fitness sind recycelbar.  
Führen Sie das Gerät am Ende der Nutzungsdauer einer sachgerechten Entsorgung zu (örtliche Sammelstelle).



# MONTAGE

## ⚠ WAARSCHUWING

Er zijn verschillende stappen tijdens het montageproces waarbij speciale aandacht vereist is. Het is zeer belangrijk dat u de montage-instructies goed opvolgt en dat u alle onderdelen goed vastdraait. Als de montage-instructies niet goed worden gevolgd, kan het zijn dat bepaalde onderdelen niet goed worden vastgedraaid. Dit kan leiden tot bijgeluiden. Om schade aan de loopband te voorkomen dienen de montage-instructies te worden doorgenomen en corrigerende maatregelen te worden genomen.

Zoek voor u verder gaat het serienummer van het apparaat op de barcode-sticker van het apparaat. Voer het nummer hieronder in. Zoek ook de modelnaam op die naast het serienummer staat.

VUL UW SERIENUMMER EN MODELNAAM IN DE ONDERSTAANDE VAKKEN IN:

SERIENUMMER:

--	--	--	--	--	--	--	--	--	--	--	--	--	--	--	--	--	--	--	--	--

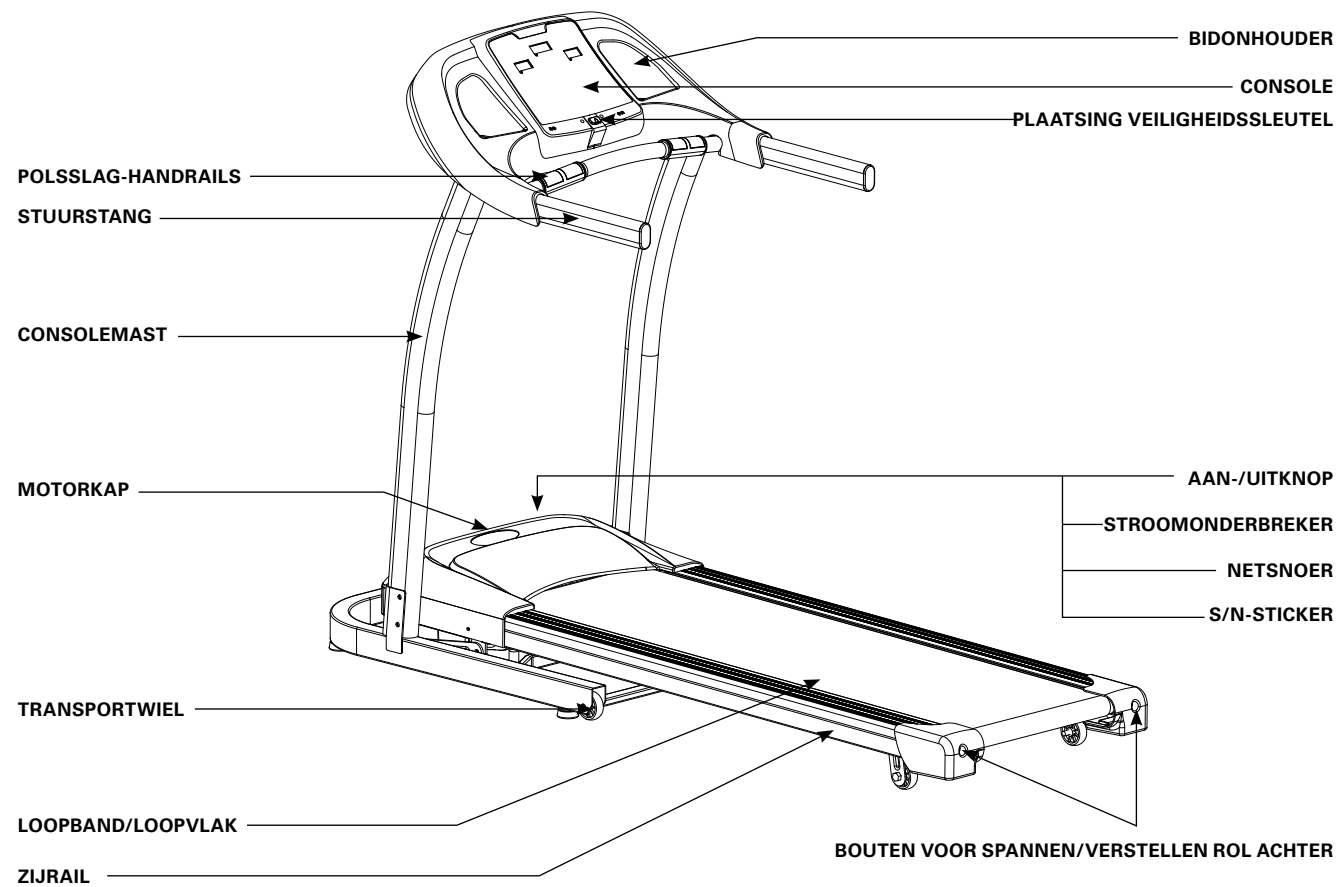
MODELNAAM: **HORIZON**

--	--	--	--	--	--	--	--	--	--	--	--	--	--	--	--	--	--	--	--	--

**LOOPBAND**







## MEEGELEVERD GEREEDSCHAP:

- 5 mm L-sleutel/schroevendraaier
- 6 mm L-sleutel

## MEEGELEVERDE ONDERDELEN:

- 1 consoleset
- 2 consolemasten
- 1 hardware-kit
- 1 veiligheidssleutel
- 1 netsnoer
- 1 silicone



## HULP NODIG?

Als u vragen hebt of onderdelen mist, kunt u contact opnemen met uw lokale dealer.

## VOOR MONTAGE

### UITPAKKEN

Zet de doos van de loopband op een vlakke ondergrond. We raden u aan uw vloer ergens mee te beschermen. Wees **VOORZICHTIG** bij het hanteren en transporteren van deze unit. Open de doos nooit als deze op zijn kant ligt. Deze unit niet optillen of transporteren als de transportbanden eenmaal verwijderd zijn, tenzij het toestel geheel is gemonteerd. Pak deze unit uit en monteer deze waar hij gebruikt gaat worden. Pak nooit enig deel van het hellingsframe vast om de loopband op te tillen of te verplaatsen.

### WAARSCHUWING

PROBEER DE LOOPBAND NIET OP TE TILLEN! Verplaats of til de loopband niet uit de verpakking tot dit in de montage-instructies wordt aangegeven. U mag de plastic verpakking van de consolemasten verwijderen.

### WAARSCHUWING

HET NIET OPVOLGEN VAN DEZE INSTRUCTIES KAN TOT LETSEL LEIDEN!





LET OP: Controleer tijdens iedere stap van de montage of ALLE bouten en moeren op de juiste plek zitten en deels zijn aangedraaid voor u WELKE bout dan ook volledig vastdraait.

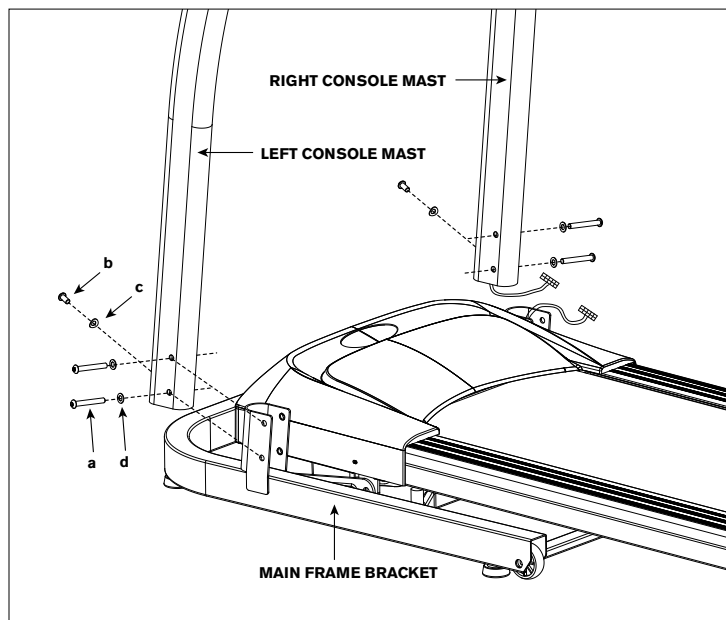
LET OP: het aanbrengen van een beetje vet kan helpen bij de installatie van onderdelen. Wij raden u aan hiervoor lithium-fietsvet te gebruiken.



## MONTAGE STAP 1

### MONTAGEMATERIAAL VOOR STAP 1

 <b>LANGE BOUT (A)</b> M8 X 50L AANTAL: 4	 <b>KORTE BOUT (B)</b> M8 X 16L AANTAL: 2
 <b>GEGOLFDE VEERRING (C)</b> Ø 8 AANTAL: 2	 <b>SLUITRING (D)</b> Ø 8 AANTAL: 4



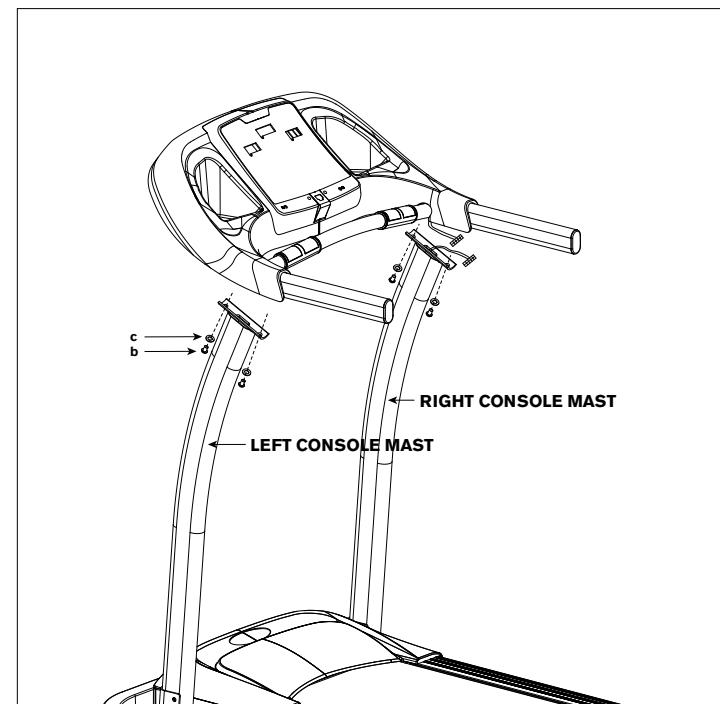
- A Open de doos en verwijder alle onderdelen onder het loopvlak door het loopvlak omhoog te tillen.
- B Open het **MONTAGEMATERIAAL** voor Stap 1
- C Lijn uit en bevestig de **LINKER CONSOLEMAST** aan de beugel van het basisframe met 2 **LANGE BOUTEN (A)**, 1 **KORTE BOUTEN (B)**, 2 **PLATTE RINGEN (D)** en 1 **GEGOLFDE VEERRING (C)**.
- D Sluit de **CONSOLEKABELS** op de **RECHTER CONSOLEMAST** aan en stop de draden voorzichtig weg in de **CONSOLEMAST** om schade te voorkomen.
- E Herhaal Stap C voor de **RECHTER CONSOLEMAST**.

LET OP: Klem of breek de draden niet bij het monteren van de consolemast. Mogelijk hebt u extra hulp nodig bij het monteren van stap 1 of 2 en draai de bouten NIET volledig vast totdat stap 2 is voltooid.

## MONTAGE STAP 2

### MONTAGEMATERIAAL VOOR STAP 2

 <b>KORTE BOUT (B)</b> M8 X 16L AANTAL: 4	 <b>GEGOLFDE VEERRING (C)</b> Ø 8 AANTAL: 4
--	--



- A Open het **MONTAGEMATERIAAL** voor Stap 2
- B Houd de **CONSOLE** voorzichtig boven de **CONSOLEMAST**.
- C Sluit de **CONSOLEKABELS** aan de rechterkant aan en stop de draden voorzichtig weg in de **RECHTER CONSOLEMAST** om schade te voorkomen.
- D Bevestig de **CONSOLE** aan de **CONSOLEMAST** met 4 **KORTE BOUTEN (B)** en 4 **PLATTE RINGEN (C)**.

LET OP: Console bevestigen van onderen. Pas op dat u geen draden afklemt en zorg ervoor dat u alle bouten volledig vastdraait voordat u de loopband gaat gebruiken.

## MONTAGE STAP 3



### MONTAGE VOLTOOID!

T82

Productgewicht: 61 kg / 134 lbs.

Maximum gewicht gebruiker: 115 kg / 253 lbs.

Afmetingen (L x B x H): 186 x 70 x 132 cm /  
73" x 28" x 52"

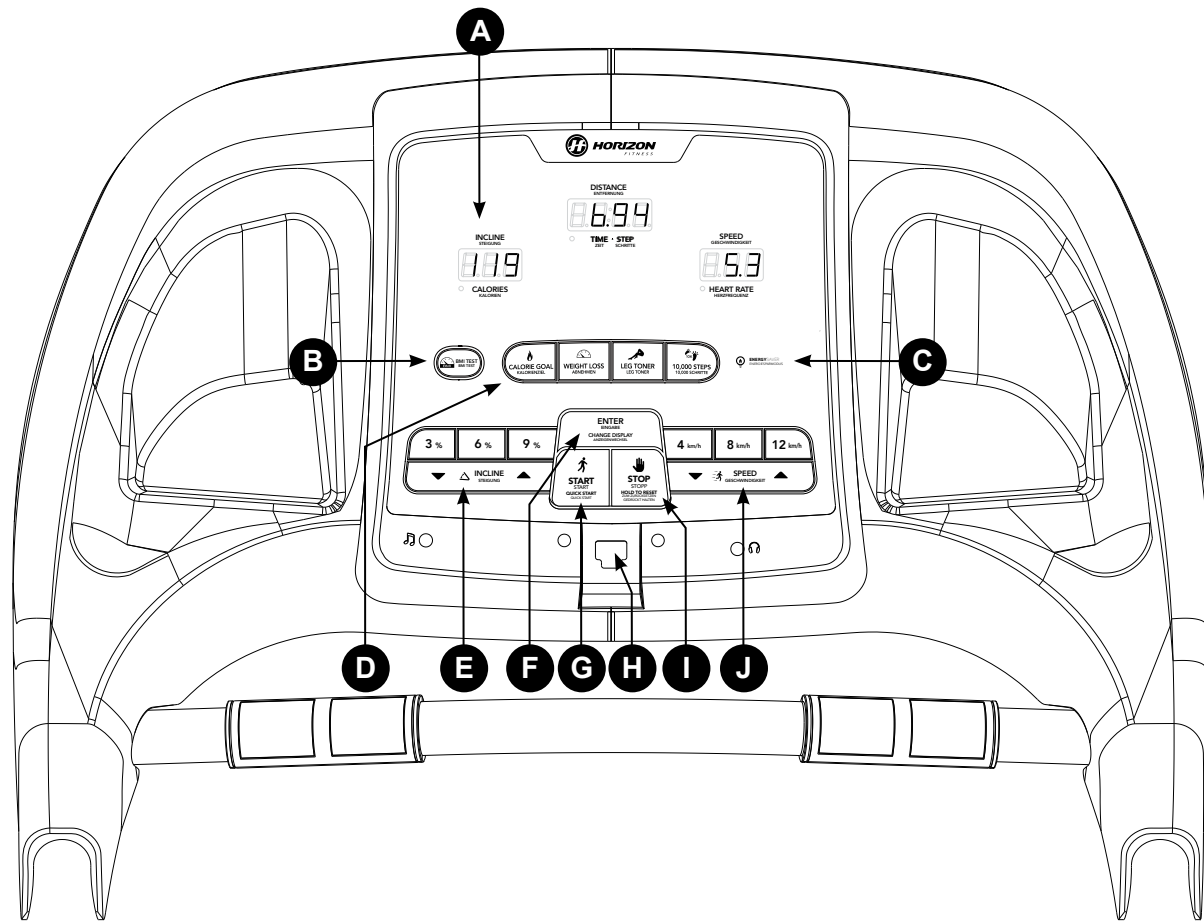
Afmetingen ingeklapt (L x B x H): 116 x 70 x 144 cm /  
46" x 28" x 57"

## BEDIENING LOOPBAND



Dit hoofdstuk geeft uitleg over het gebruik van de console en programmering van de loopband. Het hoofdstuk BASISBEDIENING in de LOOPBANDGIDS omvat instructies voor het volgende:

- PLAATSING VAN DE LOOPBAND
- GEBRUIK VAN DE VEILIGHEIDSSLEUTEL
- DE LOOPBAND INKLAPPEN
- DE LOOPBAND VERPLAATSEN
- DE LOOPBAND WATERPAS ZETTEN
- DE LOOPBAND AANSPANNEN
- DE LOOPBAND CENTREREN
- DE HARTSLAG-FUNCTIE GEBRUIKEN



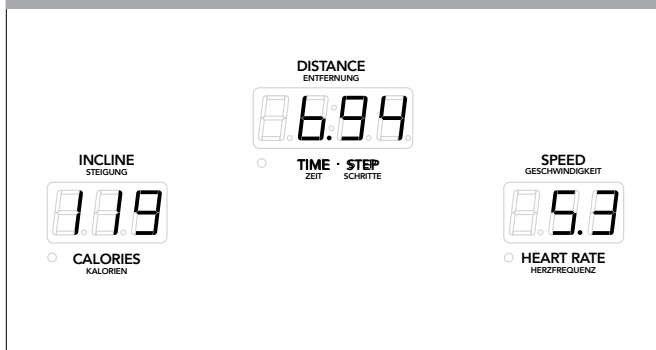
## T82 BEDIENING CONSOLE

Let op: Op de afdekking van de console bevindt zich een dunne bescherm laag van doorzichtig plastic die vóór gebruik moet worden verwijderd.

- A) **LED-DISPLAYVENSTER:** Tijd, afstand, snelheid, helling, calorieën, hartslag en stappen (alleen met 10K stappen-programma).
- B) **BMI-TEST:** Directe toets voor BMI-test. Voer uw gewicht en lengte in na het indrukken van deze toets. Uw machine helpt u bij het berekenen van uw BMI-index voor meting in de toekomst.
- C) **ENERGIESPAARSTAND:** Om het energieverbruik tot een minimum te beperken, gaat uw apparaat automatisch na 15 minuten standby in de energiespaarstand en kan het apparaat snel worden gewekt met een druk op de knop.
- D) **DIRECTE PROGRAMMEERTOETSEN:** Intuïtieve directe toets helpt u om uw programma eenvoudiger in te stellen. (Zie programma-informatie voor meer details).
- E) **HELLING-TOETSEN:** om de helling in kleine stappen aan te passen (stappen van 0,5%).
- F) **ENTER-KNOP:** gebruikt om de instelling van het trainingsprogramma of het gebruikersprofiel te bevestigen.
- G) **START:** indrukken om te beginnen met sporten, uw training te starten of te hervatten na een pauze.
- H) **PLAATSING VEILIGHEIDSSLEUTEL:** schakelt de loopband in als de veiligheidsleutel geplaatst is.
- I) **STOP:** indrukken om uw training te pauzeren/stoppen. Druk de knop 3 seconden in om de console te resetten.
- J) **SNELHEIDSTOETSEN:** om de snelheid in kleine stappen aan te passen (stappen van 0,1 km/uur).



## T82 DISPLAYS



## DISPLAYVENSTERS

- **TIJD:** Wordt weergegeven als minuten : seconden. Bekijk de resterende tijd of de tijd die uw training heeft geduurd.
- **AFSTAND:** Wordt weergegeven in kilometers of mijlen. Geef de afgelegde afstand of de nog af te leggen afstand tijdens uw workout weer.
- **SNELHEID:** Wordt weergegeven als MPH (mijlen per uur) of KMPH (kilometer per uur). Geef aan hoe snel uw wandel- of loopvlak beweegt.
- **CALORIEËN:** Totaal aantal calorieën dat u verbrand hebt of nog moet verbranden tijdens uw training.
- **HARTSLAG:** Wordt weergegeven als BPM (beats per minute - aantal slagen per minuut). Wordt gebruikt om uw hartslag te controleren (wordt weergegeven als contact gemaakt wordt met beide polsslag-grepen).
- **HELLING:** Wordt weergegeven als percentage. Geeft de helling van uw wandel- of loopvlak weer.
- **STAPPEN:** (Alleen met 10K stappen-programma). Om de resterende stappen van uw training weer te geven.

## AAN DE SLAG

- 1) Controleer of er geen objecten op de band geplaatst zijn die de bewegingen van de loopband belemmeren.
- 2) Steek de stekker in het stopcontact en zet de loopband AAN.
- 3) Ga op de zijrails van de loopband staan.
- 4) Bevestig de veiligheidssleutelclip aan een kledingstuk en controleer of deze goed vastzit en niet losgaat tijdens het gebruik.
- 5) Plaats de veiligheidssleutel in het sleutelgat in de console.
- 6) U heeft twee opties om uw training te beginnen:

### A) SNELLE START

Druk gewoon op de START knop om met uw training te beginnen.  
Tijd, afstand en calorieën zullen allemaal optellen vanaf nul.  
OF...

### B) SELECTEER EEN PROGRAMMA

- 1) Selecteer een programma door op de DIRECTE KNOP te drukken of met de PIJL-toets, druk op ENTER om de instelling te bevestigen.
- 2) Selecteer indien nodig het niveau door op de pijltoets OMHOOG of OMLAAG te drukken en druk vervolgens op ENTER om te bevestigen.
- 3) Als u klaar bent met de instellingen, drukt u op START om uw training te beginnen.

## OM DE SELECTIE TE WISSEN/ DE CONSOLE TE RESETTEN

houdt u de STOP-knop 3 seconden ingedrukt.

## UW TRAINING BEËINDIGEN

Als u uw training voltooid heeft, zal de loopband stoppen en u hoort een pieptoon. U kunt de machine uitschakelen of het apparaat gaat na 15 minuten naar de energiespaarstand.

## PROGRAMMA-INFORMATIE

LET OP:

- Als de snelheid of de helling tijdens uw training worden gewijzigd, dan worden de overige segmenten overeenkomstig beïnvloed.
- T82 bevat: caloriedoel, gewichtsverlies, been-toner en 10K stappen.

- CALORIEDOEL:** Stel uw caloriedoel dat u vandaag wilt verbranden en vervolgens de gewenste snelheid in. Uw machine leidt u door een training en helpt u bij het voltooien van uw taak. Wanneer u dit programma gebruikt, kunt u uw snelheid en hellingsniveau tijdens uw training aanpassen. De console gaat automatisch over naar verbrande calorieën en telt af vanaf uw doelcalorieën.

- GEWICHTSVERLIES:** Bevordert gewichtsverlies door de snelheid en helling te verhogen en te verlagen, terwijl u in de vetverbrandingszone blijft. Snelheid en helling veranderen, segmenten worden iedere 30 seconden herhaald.

(Metrisch, km/uur)

Segment	Warming-up	1	2	3	4	5	6	7	8	Cooling-down			
Tijd	4:00 MIN	30 SEC	30 SEC	30 SEC	30 SEC	30 SEC	30 SEC	30 SEC	30 SEC	4:00 MIN			
Niveau 1	Helling	0,0	0,5	1,5	1,5	1,0	0,5	0,5	1,0	1,5	0,5	0,0	
	Snelheid	1,6	2,4	3,2	4,0	4,8	5,6	6,4	5,6	4,8	4,0	3,6	2,4
Niveau 2	Helling	0,0	0,5	1,5	1,5	1,0	0,5	1,0	0,5	1,0	1,5	0,5	0,0
	Snelheid	2,0	3,0	4,0	4,8	5,6	6,4	7,2	6,4	5,6	4,8	4,1	2,8
Niveau 3	Helling	0,5	1,0	2,0	2,0	1,5	1,0	1,0	1,0	1,5	2,0	1,0	0,5
	Snelheid	2,4	3,6	4,8	5,6	6,4	7,2	8,0	7,2	6,4	5,6	4,8	3,2
Niveau 4	Helling	0,5	1,0	2,0	2,0	1,5	1,0	1,0	1,0	1,5	2,0	1,0	0,5
	Snelheid	2,8	4,1	5,6	6,4	7,2	8,0	8,8	8,0	7,2	6,4	5,4	3,6
Niveau 5	Helling	1,0	1,5	2,5	2,5	2,0	1,5	1,5	1,5	2,0	2,5	1,5	1,0
	Snelheid	3,2	4,8	6,4	7,2	8,0	8,8	9,6	8,8	8,0	7,2	6,0	4,0
Niveau 6	Helling	1,0	1,5	2,5	2,5	2,0	1,5	1,5	1,5	2,0	2,5	1,5	1,0
	Snelheid	3,6	5,4	7,2	8,0	8,8	9,6	10,4	9,6	8,8	8,0	6,5	4,4
Niveau 7	Helling	1,5	2,0	3,0	3,0	2,5	2,0	2,0	2,5	3,0	2,0	1,5	
	Snelheid	4,0	6,0	8,0	8,8	9,6	10,4	11,2	10,4	9,6	8,8	7,2	4,8
Niveau 8	Helling	1,5	2,0	3,0	3,0	2,5	2,0	2,0	2,5	3,0	2,0	1,5	
	Snelheid	4,4	6,5	8,8	9,6	10,4	11,2	12,0	11,2	10,4	9,6	7,8	5,2
Niveau 9	Helling	2,0	2,5	3,5	3,5	3,0	2,5	2,5	2,5	3,0	3,5	2,5	2,0
	Snelheid	4,8	7,2	9,6	10,4	11,2	12,0	12,8	12,0	11,2	10,4	8,4	5,6
Niveau 10	Helling	2,0	2,5	3,5	3,5	3,0	2,5	2,5	2,5	3,0	3,5	2,5	2,0
	Snelheid	5,2	7,8	10,4	11,2	12,0	12,8	13,6	12,8	12,0	11,2	8,9	6,0

(Brits, MPH)

Segment	Warming-up	1	2	3	4	5	6	7	8	Cooling-down			
Tijd	4:00 MIN	30 SEC	30 SEC	30 SEC	30 SEC	30 SEC	30 SEC	30 SEC	30 SEC	4:00 MIN			
Niveau 1	Helling	0,0	0,5	1,5	1,5	1,0	0,5	0,5	1,0	1,5	0,5	0,0	
	Snelheid	1,0	1,5	2,0	2,5	3,0	3,5	4,0	3,5	3,0	2,5	2,3	1,5
Niveau 2	Helling	0,0	0,5	1,5	1,5	1,0	0,5	1,0	0,5	1,0	1,5	0,5	0,0
	Snelheid	1,3	1,9	2,5	3,0	3,5	4,0	4,5	4,0	3,5	3,0	2,6	1,8
Niveau 3	Helling	0,5	1,0	2,0	2,0	1,5	1,0	1,0	1,0	1,5	2,0	1,0	0,5
	Snelheid	1,5	2,3	3,0	3,5	4,0	4,5	5,0	4,5	4,0	3,5	3,0	2,0
Niveau 4	Helling	0,5	1,0	2,0	2,0	1,5	1,0	1,0	1,0	1,5	2,0	1,0	0,5
	Snelheid	1,8	2,6	3,5	4,0	4,5	5,0	5,5	5,0	4,5	4,0	3,4	2,3
Niveau 5	Helling	1,0	1,5	2,5	2,5	2,0	1,5	1,5	1,5	2,0	2,5	1,5	1,0
	Snelheid	2,0	3,0	4,0	4,5	5,0	5,5	6,0	5,5	5,0	4,5	3,8	2,5
Niveau 6	Helling	1,0	1,5	2,5	2,5	2,0	1,5	1,5	1,5	2,0	2,5	1,5	1,0
	Snelheid	2,3	3,4	4,5	5,0	5,5	6,0	6,5	6,0	5,5	5,0	4,1	2,8
Niveau 7	Helling	1,5	2,0	3,0	3,0	2,5	2,0	2,0	2,0	2,5	3,0	2,0	1,5
	Snelheid	2,5	3,8	5,0	5,5	6,0	6,5	7,0	6,5	6,0	5,5	4,5	3,0
Niveau 8	Helling	1,5	2,0	3,0	3,0	2,5	2,0	2,0	2,0	2,5	3,0	2,0	1,5
	Snelheid	2,8	4,1	5,5	6,0	6,5	7,0	7,5	7,0	6,5	6,0	4,9	3,3
Niveau 9	Helling	2,0	2,5	3,5	3,5	3,0	2,5	2,5	2,5	3,0	3,5	2,5	2,0
	Snelheid	3,0	4,5	6,0	6,5	7,0	7,5	8,0	7,5	7,0	6,5	5,3	3,5
Niveau 10	Helling	2,0	2,5	3,5	3,5	3,0	2,5	2,5	2,5	3,0	3,5	2,5	2,0
	Snelheid	3,3	4,9	6,5	7,0	7,5	8,0	8,5	8,0	7,5	7,0	5,6	3,8

**3) BEEN-TONER:** Bevordert de training van het onderlichaam en verbetert de spiertonus van uw benen door de snelheid en helling te verhogen en te verlagen. Snelheid en helling veranderen, segmenten worden iedere 30 seconden herhaald. Om de spiertonus van uw benen te verbeteren, moet u gericht trainen en de onderstaande richtlijnen volgen:

- 1) Uw benen goed stretchen.
- 2) Begin met een lage snelheid en loop altijd zodanig dat uw hiel zachtjes de grond raakt. (Een paar goede hardloopschoenen wordt aanbevolen)
- 3) Voltooi de training of in ieder geval 30 minuten.
- 4) Drink na de training rustig 500-1000 ml. water.
- 5) Masseer uw been en voeten na het trainen.
- 6) Herhaal de training 2-3 keer per week en pas op voor overbelasting.

(Metrisch, km/uur)

Segmenten	Warming-up										Cooling-down	
	4:00 MIN		30 SEC	30 SEC	30 SEC	30 SEC	30 SEC	30 SEC	30 SEC	30 SEC	4:00 MIN	
Niveau 1	0,8	1,6	2,4	3,2	4,0	4,8	5,6	4,8	4,0	3,2	1,6	0,8
Niveau 2	0,8	1,6	3,2	4,0	4,8	5,6	6,4	5,6	4,8	4,0	1,6	0,8
Niveau 3	0,8	2,4	4,0	4,8	5,6	6,4	7,2	6,4	5,6	4,8	2,4	1,6
Niveau 4	0,8	2,4	4,8	5,6	6,4	7,2	8,0	7,2	6,4	5,6	2,4	1,6
Niveau 5	0,8	3,2	5,6	6,4	7,2	8,0	8,8	8,0	7,2	6,4	3,2	1,6
Niveau 6	0,8	3,2	6,4	7,2	8,0	8,8	9,6	8,8	8,0	7,2	3,2	1,6
Niveau 7	0,8	4,0	7,2	8,0	8,8	9,6	10,4	9,6	8,8	8,0	4,0	2,4
Niveau 8	0,8	4,0	8,0	8,8	9,6	10,4	11,2	10,4	9,6	8,8	4,0	2,4
Niveau 9	0,8	4,8	8,8	9,6	10,4	11,2	12,0	11,2	10,4	9,6	4,8	3,2
Niveau 10	0,8	4,8	9,6	10,4	11,2	12,0	12,8	12,0	11,2	10,4	4,8	3,2

(Brits, MPH)

Segmenten	Warming-up										Cooling-down	
	4:00 MIN		30 SEC	30 SEC	30 SEC	30 SEC	30 SEC	30 SEC	30 SEC	30 SEC	4:00 MIN	
Niveau 1	0,5	1,0	1,5	2,0	2,5	3,0	3,5	3,0	2,5	2,0	1,0	0,5
Niveau 2	0,5	1,0	2,0	2,5	3,0	3,5	4,0	3,5	3,0	2,5	1,0	0,5
Niveau 3	0,5	1,5	2,5	3,0	3,5	4,0	4,5	4,0	3,5	3,0	1,5	1,0
Niveau 4	0,5	1,5	3,0	3,5	4,0	4,5	5,0	4,5	4,0	3,5	1,5	1,0
Niveau 5	0,5	2,0	3,5	4,0	4,5	5,0	5,5	5,0	4,5	4,0	2,0	1,0
Niveau 6	0,5	2,0	4,0	4,5	5,0	5,5	6,0	5,5	5,0	4,5	2,0	1,0
Niveau 7	0,5	2,5	4,5	5,0	5,5	6,0	6,5	6,0	5,5	5,0	2,5	1,5
Niveau 8	0,5	2,5	5,0	5,5	6,0	6,5	7,0	6,5	6,0	5,5	2,5	1,5
Niveau 9	0,5	3,0	5,5	6,0	6,5	7,0	7,5	7,0	6,5	6,0	3,0	2,0
Niveau 10	0,5	3,0	6,0	6,5	7,0	7,5	8,0	7,5	7,0	6,5	3,0	2,0

**4) 10.000 STAPPEN:** Directe toets voor op stappen gebaseerd programma. De loopband zet uw trainingsinstelling automatisch om in genomen stappen en helpt u om uw dagelijkse stapdoel te bereiken. (Zie onderstaande opmerking voor meer details).

Let op:

Stappenformule: Berekening op basis van gemiddelde paslengte van 2,6 feet (0,8 meter / 31 inch)

Stappen = afstand/gemiddelde paslengte

Bijvoorbeeld: 1 mijl = 5.280 feet (1.609 meter) = 5.280/2,6 = 2030 stappen

**BMI-TEST:** Directe toets voor BMI-test om uw BODY MASS INDEX te bepalen. Voer uw gewicht en lengte in na het indrukken van deze toets. Uw machine helpt u bij het berekenen van uw BMI-index voor meting in de toekomst.

BMI-formule:

Formule voor kilogram en meters (of centimeters): gewicht (kg) / [lengte (m)]<sup>2</sup>

Formule voor pond en inches: gewicht (lb) / [lengte (inch)]<sup>2</sup> x 703

Categorie	BMI-bereik – kg/m <sup>2</sup>
Zeer ernstig ondergewicht	minder dan 15
Ernstig ondergewicht	van 15,0 tot 16,0
Ondergewicht	van 16,0 tot 18,5
Normaal (gezond gewicht)	van 18,5 tot 25
Overgewicht	van 25 tot 30
Obesitas I (matig zwaarlijvig)	van 30 tot 35
Obesitas II (ernstig zwaarlijvig)	van 35 tot 40
Obesitas III (zeer ernstig zwaarlijvig)	boven 40

Let op: De BMI-classificatie kan per regio verschillen, hierboven ziet u de algemene informatie van de WHO. Voor meer informatie verwijzen wij u naar de "BMI-classificatie" van de Wereldgezondheidsorganisatie.



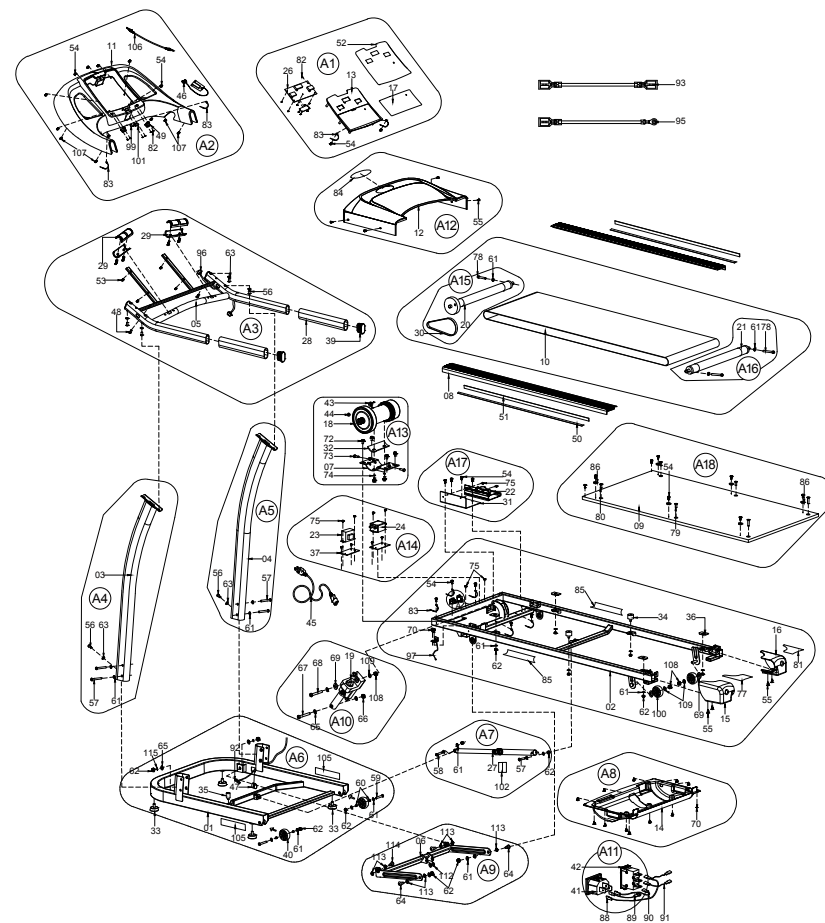
## ENERGIESPAARSTAND (STANDBY)

Deze machine heeft een energiespaarstand. Het scherm gaat na 15 minuten inactiviteit automatisch in de standby-modus (energiespaarstand) en kan met een druk op de knop worden gewekt. Bij activeren van de energiespaarstand wordt bijna alle stroom van de machine uitgeschakeld, behalve enkele circuits die nodig zijn om een toetsaanslag te detecteren om aan te geven dat de console moet "ontwaken". Deze functie kan worden uitgeschakeld in het technische menu.

Om toegang te krijgen tot het technische menu houdt u de knoppen helling ▲ en snelheid ▼ 3-5 seconden ingedrukt.  
(\* raadpleeg de opmerking hieronder)

Gebruik helling ▲ en snelheid ▼ om door het menu naar ENG3 te navigeren. Druk op ENTER om te selecteren. Gebruik helling ▲ en snelheid ▼ om ENERGIESPAARSTAND AAN of UIT te selecteren. Houd STOP 3-5 seconden ingedrukt om ENG3 te verlaten. Houd STOP opnieuw 3-5 seconden ingedrukt om het technische menu te verlaten.

## T82 ONDERDELENDIAGRAM





## T82 LIJST MET ONDERDELEN

NR.	OMSCHRIJVING	AANTAL
A9	HELLINGMONTAGESET	1
06	HELLINGMONTAGE	1
64	M8 VLOERSCHROEF;M8X28	2
114	M8 VLOERSCHROEF;M8X32.5MM	2
61	Φ8 SLUITRING	2
62	M8 BORGMOER	2
112	NYLON AFSTANDSBUS;Φ24XΦ13XT1,0	2
113	DROGE LAGER ;Φ18XΦ10XT4,0	8
A7	LUCHTSCHOK-SET	1
27	LUCHTSCHOK	1
57	M8X45 SCHROEF	1
58	M8X35 SCHROEF	1
61	Φ8 SLUITRING	4
62	M8 BORGMOER	2
102	LUCHTSCHOK-STICK	1
A13	MOTORSET 220V	1
07	MOTORMONTAGE	1
18	DC-MOTOR 220V	1
32	MOTORKUSSEN	1
43	MAGNETISCHE RING;Φ31XΦ19X13MM	1
44	MAGNETISCHE RING;Φ25XΦ15X12MM	1
72	M8X12 BOUT	6
73	M8X30 BOUT	2
74	KUSSEN;Φ8	2
A12	MOTORKAP-SET	1

NR.	OMSCHRIJVING	AANTAL
12	MOTORKAP	1
55	ST4,2X16 SCHROEF	4
84	LOGO	1
A4	LINKER CONSOLEMAST-SET	1
03	LINKER CONSOLEMAST	1
56	M8X16 SCHROEF	1
57	M8X53 SCHROEF	2
61	Φ8 SLUITRING	2
63	GEGOLFDE VEERRING	1
A5	RECHTER CONSOLEMAST-SET	1
04	RECHTER CONSOLEMAST	1
56	M8X16 SCHROEF	1
57	M8X53 SCHROEF	2
61	Φ8 SLUITRING	2
63	GEGOLFDE VEERRING;Φ8	1
A2	CONSOLEKAP-SET	1
11	CONSOLE	1
49	AUDIO VASTE PLAAT	2
106	AUDIOKABEL;400MM,3-PINS	1
99	MAGNETISCHE VERHOGINGSPLAAT;Φ18X4,0	1
46	VEILIGHEIDSSLEUTEL	1
82	ST3X8 SCHROEF	6
83	CLIP	2
101	VEILIGHEIDSSLEUTEL	1
107	ST4,2X13 SCHROEF	4

NR.	OMSCHRIJVING	AANTAL
54	ST4,2X13 SCHROEF	9
A1	OVERLAY-SET MET EN(DIGITAAL)	1
82	ST3X8 SCHROEF	9
26	CONSOLE-REGELPANEEL (220V)(DIGITAAL)	1
13	CONSOLEKAP	1
52	CONSOLE-STICKER (EN)	1
17	FILM-SLEUTELPANEEL	1
83	CLIP	2
54	ST4,2X13 SCHROEF	2
A15	VOORSTE ROL, SET	1
20	VOORSTE ROL;Φ42	1
30	AANDRIJFRIEM;PJ483/190J/6 SC30	1
61	Φ8 SLUITRING	1
78	M8X55 SCHROEF	1
A16	ACHTERSTE ROL, SET	1
21	ACHTERSTE ROL	1
61	Φ8 SLUITRING;Φ8	2
78	M8X55 SCHROEF	2
A11	NETSNOER-SET	1
41	CONTACT	1
42	RESET/UIT STROOMONDERBREKER 220V	1
45	NETSNOER	1
88	AC-INVOERDRAAD (ZWART);100/250MM	1
89	AARDEDRAAD (GEEL&GROEN);350MM	1
90	AC-INVOERDRAAD (ROOD);250MM	1

NR.	OMSCHRIJVING	AANTAL
91	AC-UITVOERDRAAD (ROOD);100MM	1
93	AC-UITVOERDRAAD (ROOD);550MM	1
95	FILTERDRAAD (GEEL&GROEN);100MM	1
A14	FILTERSET	1
23	INDUCTIE	1
24	FILTER	1
37	FILTERPLAAT	2
75	M4X8 SCHROEF	8
A17	CONTROLLER-SET-ERP (DIGITAAL)	1
22	CONTROLLER-ERP (DIGITAAL)	1
31	CONTROLLER VASTE PLAAT;177X174X2,0MM	1
54	ST4,2X13 SCHROEF	4
75	M4X8 SCHROEF	2
A3	CONSOLEFRAME-SET	1
5	CONSOLEFRAME	1
28	SCHUIM;315MMX3,0MM,Φ32MMX1,5	2
29	HARTSLAG RECHTS	2
39	ELLIPTICAL-STEKKER	2
48	ST4,2X30 SCHROEF	2
53	ST4,2X20 SCHROEF	4
56	M8*16 BOUT	4
63	GEGOLFDE VEERRING;Φ8	4
96	AANSLUITDRAAD CONSOLE;550MM,5-PINS	1
A10	HELLING-MOTOR-SET 220V	1
19	HELLING-MOTOR 220V	1

## T82 LIJST MET ONDERDELEN

NR.	OMSCHRIJVING	AANTAL
65	Φ10 SLUITRING	2
66	M10 BORGMOER	1
67	M10X65 BOUT	1
68	M10X50 BOUT	1
69	KUSSEN;Φ25XΦ10,5XT2,0	2
108	M10 BORGMOER	1
109	Φ10 SLUITRING	2
A18	LOOPVLAK-SET	1
9	LOOPVLAK;1260X57XT15	1
54	ST4,2X13 SCHROEF	8
79	M8X20 BOUT	2
80	M8X35 BOUT	4
86	GELEIDER	6
A6	BASISFRAME-SET	1
01	BASISFRAME	1
33	BUMPER;M10,15MM	4
35	RUBBER KUSSEN;35XΦ20MM	1
40	Φ60 WIEL	2
47	DRAADBESCHERMSTEKKER;42X26X9MM	1
59	M8X50 SCHROEF	2
60	Φ13,2XΦ8,2X7	4
61	Φ8 SLUITRING	4
62	M8 BORGMOER	4
65	Φ10 SLUITRING	2
115	KUSSEN;Φ8	2

NR.	OMSCHRIJVING	AANTAL
92	BASISAANSLUITDRAAD;1700MM,5-PINS	1
105	WAARSCHUWINGSMARKERING(CN,EN)	2
A8	ONDERSTE MOTORKAP-SET	1
14	ONDERSTE MOTORKAP	1
70	ST4,2X13 SCHROEF	12
A19	HOOFDFRAME-SET	1
02	HOOFDFRAME	1
08	VOETRAIL	2
10	LOOPBAND;2820X415XT1,6	1
15	LINKER AFDEKKAP ROL	1
16	RECHTER AFDEKKAP ROL	1
34	RUBBER KUSSEN;Φ30X20	2
36	PLATFORMKUSSEN;45X33XT3,0	4
50	ENKELZIJDIGE LIJM;20X1120XT2,0	2
51	ENKELZIJDIGE LIJM;20X1120XT1,0	2
54	ST4,2X13 SCHROEF	5
61	Φ8 SLUITRING	6
62	M8 BORGMOER	6
109	Φ10 SLUITRING	2
69	PLASTIC SPACER;Φ25XΦ10,5XT2,0	2
70	ST4,2X13 SCHROEF	2
75	M4X8 SCHROEF	2
83	CLIP	5
77	STICKER	1
81	STICKER	1

NR.	OMSCHRIJVING	AANTAL
85	DECORATIESTICKER	2
97	REED-SCHAKELAAR (DIGITAAL);900MM,2-PINS	1
100	WIEL;Φ60XΦ10,2X25	2
108	M10 BORGMOER	2
55	ST4,2X16 SCHROEF	4
	GEREEDSCHAP ACHTERZIJDE	1
	DOOS	1
	BINNENZIJDIGE DOOS	1

**Dut: Verwijderingsaanwijzing**

VISION Fitness / HORIZON Fitness / TEMPO Fitness / TREO Fitness producten zijn recyclebaar. Breng het apparaat aan het einde van de gebruiksduur naar een in recycling gespecialiseerd bedrijf (plaatselijk verzamelpunt).



# MONTAGE

## ⚠ AVERTISSEMENT

Une attention particulière doit être accordée à plusieurs sections pendant le montage. Il est très important de suivre correctement les instructions de montage et de s'assurer que toutes les pièces sont bien serrées. En cas de non respect des instructions de montage, des pièces du cadre du tapis de course peuvent ne pas être serrées et sembler lâches, et peuvent provoquer des bruits irritants. Pour éviter d'endommager le tapis de course, les instructions de montage doivent être revues et des mesures correctives doivent être prises.

Avant de continuer, recherchez le numéro de série de votre tapis de course situé sur le tube de stabilisation et notez-le à l'emplacement prévu ci-dessous. Recherchez également le nom de modèle mentionné à côté du numéro de série.

NOTEZ VOTRE NUMÉRO DE SÉRIE ET NOM DE MODÈLE DANS LES CASES CI-DESSOUS :

NUMÉRO DE SÉRIE :

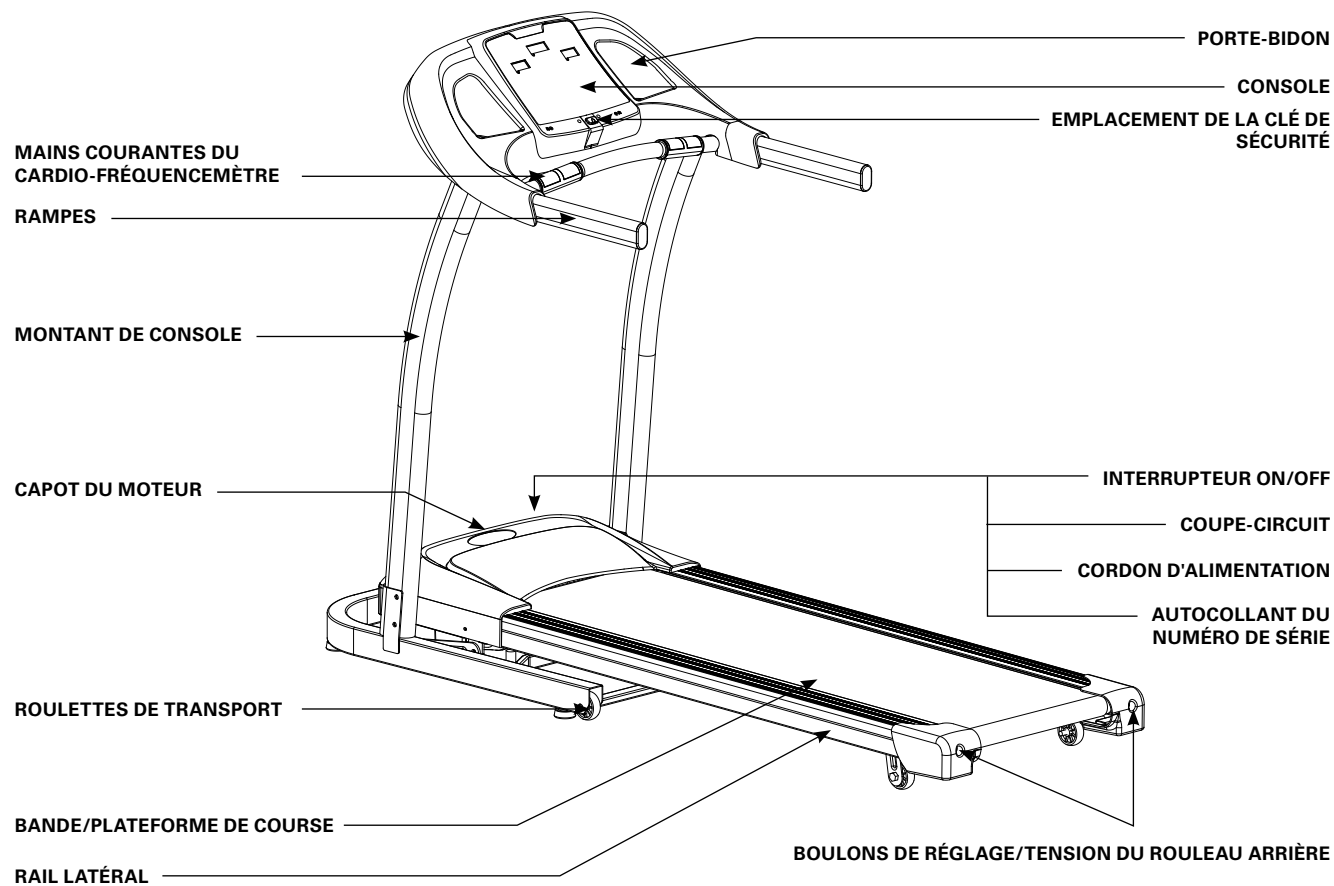
--	--	--	--	--	--	--	--	--	--	--	--	--	--	--	--	--	--	--	--

NOM DE MODÈLE : **HORIZON**

--	--	--	--	--	--	--	--	--	--	--	--	--	--	--	--	--	--	--	--

**TAPIS DE COURSE**





## OUTILS FOURNIS :

- Tournevis/Clé à manche en L de 5 mm
- Clé à manche en L de 6 mm

## PIÈCES FOURNIES :

- 1 console
- 2 montants de console
- 1 kit de visserie
- 1 clé de sécurité
- 1 cordon d'alimentation
- 1 silicone



## VOUS AVEZ BESOIN D'AIDE ?

Pour toute question ou pièces manquantes, vous pouvez contacter votre revendeur local.

## PRÉ-MONTAGE

### DÉBALLAGE

Posez l'emballage carton du tapis de course sur une surface plane. Il est conseillé de placer un revêtement de protection sur votre sol. Manipulez et déplacez cet appareil avec PRÉCAUTION. N'ouvrez jamais l'emballage lorsqu'il est sur le côté. Une fois les bandes de cerclage retirées, l'appareil ne doit être ni soulevé ni déplacé tant qu'il n'a pas été complètement assemblé. Déballez et assemblez l'appareil à l'endroit où il sera utilisé. Ne saisissez jamais une partie du cadre d'inclinaison et n'essayez jamais de soulever ou de déplacer le tapis de course.

### ⚠ AVERTISSEMENT

N'ESSAYEZ PAS DE SOULEVER LE TAPIS DE COURSE ! Ne déplacez pas et ne sortez pas le tapis de course de son emballage avant que cela ne soit spécifié dans les instructions de montage. Vous pouvez retirer la pellicule de plastique des montants de la console.

### ⚠ AVERTISSEMENT

LE NON-RESPECT DE CES INSTRUCTIONS PEUT ENTRAÎNER DES BLESSURES !

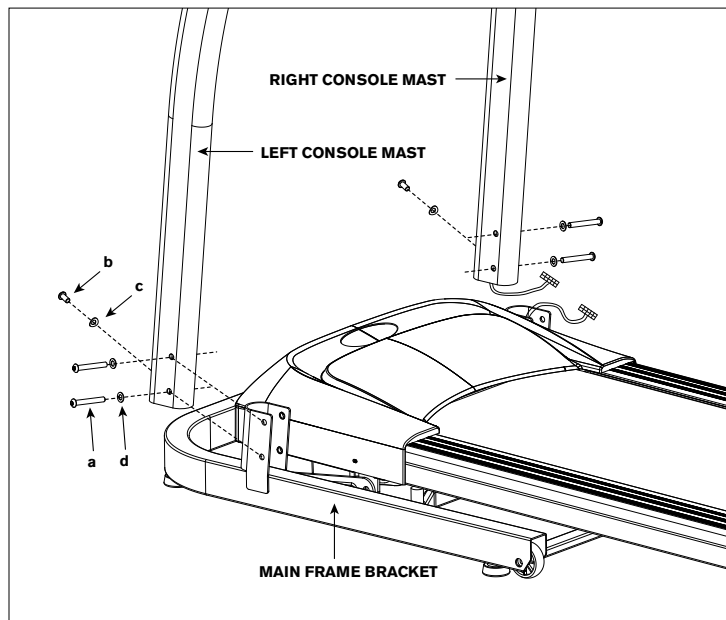
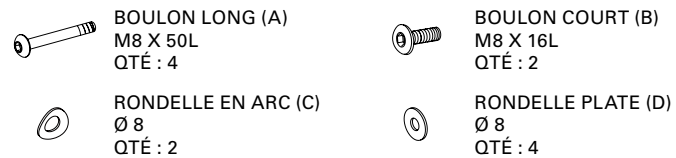
REMARQUE : lors de chaque étape de montage, assurez-vous que TOUS les écrous et boulons sont en place et partiellement filetés avant de serrer complètement l'UN des boulons.

REMARQUE : une légère application de graisse peut faciliter l'installation de la visserie. Toute graisse, comme la graisse au lithium pour vélo, est recommandée.



## MONTAGE ÉTAPE 1

### VISSERIE DE L'ÉTAPE 1

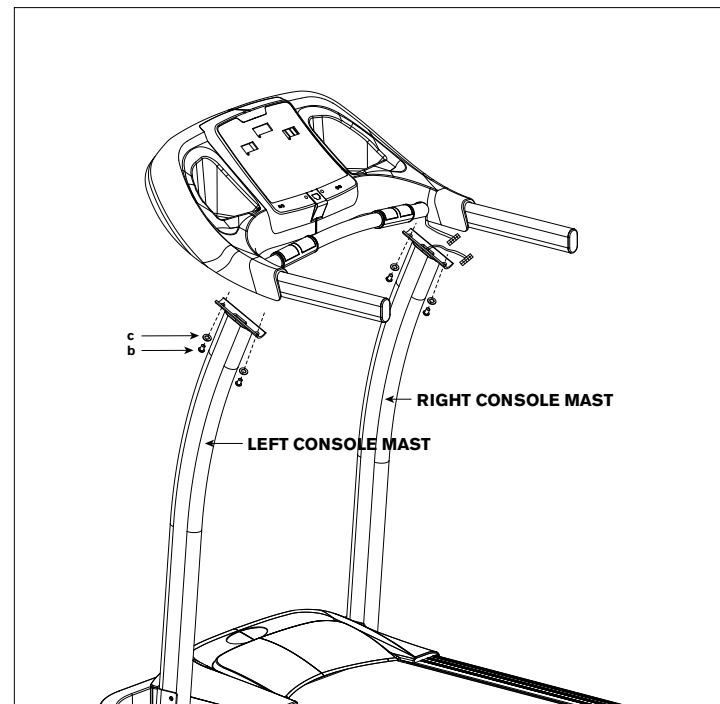


- A Ouvrez l'emballage et retirez toutes les pièces sous la plateforme de course en levant la plateforme de course vers le haut.
- B Ouvrez le kit de **VISSERIE** de l'étape 1.
- C Alignez et fixez le **MONTANT DE CONSOLE GAUCHE** au châssis à l'aide de 2 **BOULONS LONGS (A)**, 1 **BOULON COURT (B)**, 2 **RONDELLES PLATES (D)** et 1 **RONDELLE EN ARC (C)**.
- D Connectez les **CÂBLES DE LA CONSOLE** au **MONTANT DE CONSOLE DROIT** et rentrez soigneusement les câbles dans le **MONTANT DE CONSOLE** pour éviter de les endommager.
- E Répétez l'étape C sur le **MONTANT DE CONSOLE DROIT**.

REMARQUE : veillez à ne pincer ni rompre aucun des câbles lors du montage des montants. Une aide supplémentaire peut être nécessaire pour effectuer les étapes 1 et 2. **NE serrez PAS** entièrement les boulons tant que l'étape 2 n'est pas terminée.

## MONTAGE ÉTAPE 2

### VISSERIE DE L'ÉTAPE 2



- A Ouvrez le kit de **VISSERIE** de l'étape 2.
- B Placez délicatement la **CONSOLE** sur le **MONTANT DE CONSOLE**.
- C Connectez les **CÂBLES DE LA CONSOLE** sur le côté droit et rentrez soigneusement les câbles dans le **MONTANT DE CONSOLE DROIT** pour éviter de les endommager.
- D Fixez la **CONSOLE** au **MONTANT DE CONSOLE** à l'aide de 4 **BOULONS COURTS (B)** et 4 **RONDELLES PLATES (C)**.

REMARQUE : fixation de la console par le bas. Veillez à ne pincer aucun des câbles et assurez-vous de serrer complètement tous les boulons avant d'utiliser les tapis de course.

## MONTAGE ÉTAPE 3

**LE MONTAGE EST TERMINÉ !**



T82

Poids du produit : 61 kg / 134 lbs.

Capacité de poids de l'utilisateur : 115 kg / 253 lbs.

Dimensions (L x l x H) : 186 x 70 x 132 cm /  
73" x 28" x 52"

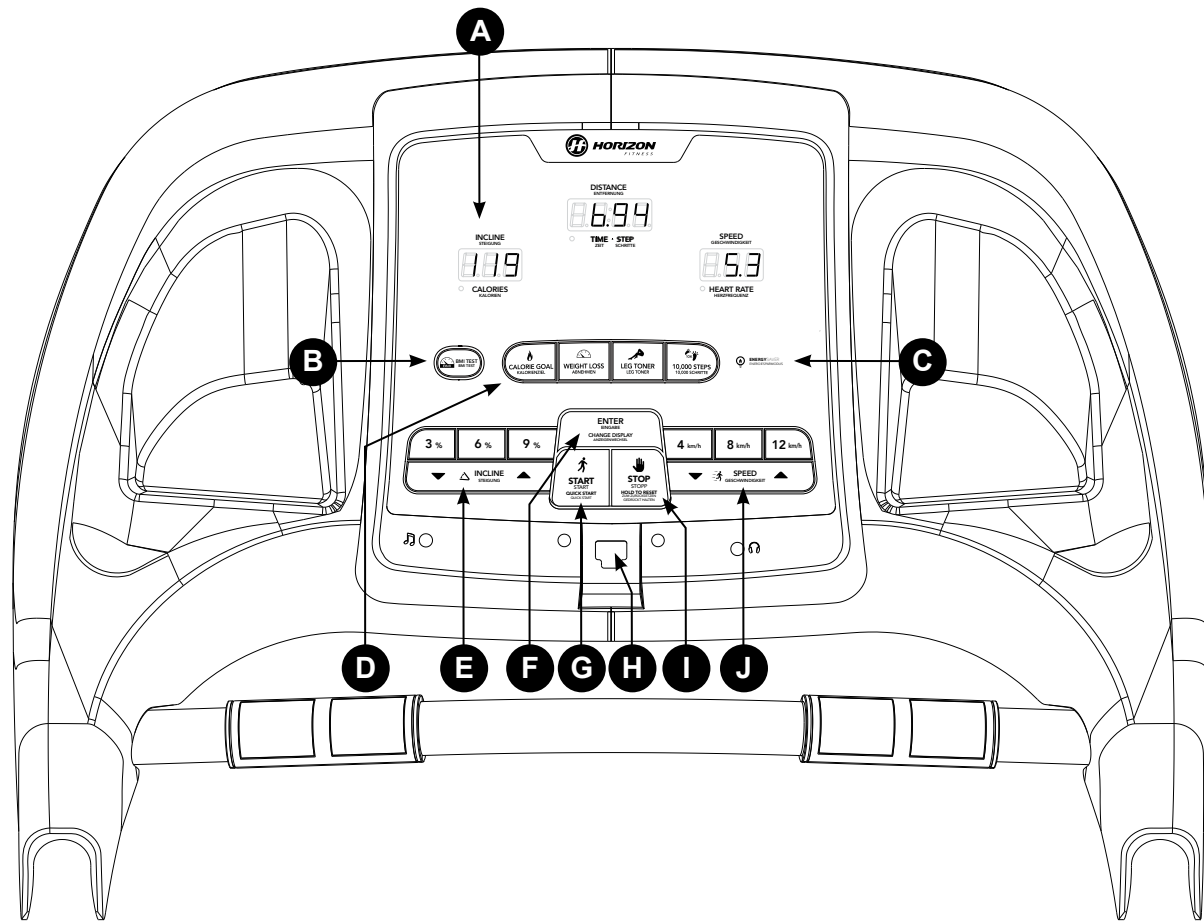
Dimensions plié (L x l x H) : 116 x 70 x 144 cm /  
46" x 28" x 57"

## FONCTIONNEMENT DU TAPIS DE COURSE

La présente section explique comment utiliser et programmer la console du tapis de course. La section FONCTIONNEMENT DE BASE du GUIDE DU TAPIS DE COURSE comporte des instructions portant sur ce qui suit :

- EMBLACEMENT DU TAPIS DE COURSE
- UTILISATION DE LA CLÉ DE SÉCURITÉ
- PLIAGE DU TAPIS DE COURSE
- DÉPLACEMENT DU TAPIS DE COURSE
- MISE À NIVEAU DU TAPIS DE COURSE
- TENSION DE LA BANDE DE COURSE
- CENTRAGE DE LA BANDE DE COURSE
- UTILISATION DE LA FONCTION FRÉQUENCE CARDIAQUE (HEART RATE)





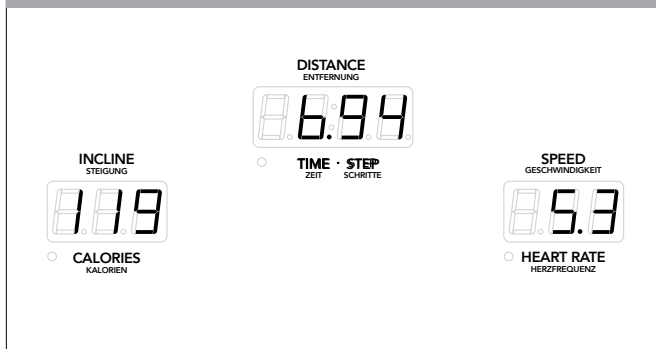
## FONCTIONNEMENT DE LA CONSOLE T82

Remarque : le revêtement de la console présente une mince feuille protectrice de plastique transparent qui doit être retirée avant utilisation.

- A) **FENÊTRES D’AFFICHAGE À LED** : durée, distance, vitesse, inclinaison, calories, fréquence cardiaque et pas (avec programme 10 000 pas/10K Steps uniquement).
- B) **TEST IMC** : touche directe de test IMC. Entrez votre poids et votre taille après avoir appuyé sur cette touche. Votre machine vous aidera à calculer votre indice d’IMC pour le suivi futur.
- C) **ÉCONOMIE D’ÉNERGIE** : pour réduire votre consommation d’énergie, votre machine passera automatiquement en mode économie d’énergie (après avoir été en mode veille pendant 15 minutes), et pourra être rapidement réveillée en appuyant sur une touche.
- D) **TOUCHES DIRECTES DE PROGRAMME** : les touches directes intuitives vous permettent de définir plus facilement votre programme. (consultez les informations de programme pour en savoir plus).
- E) **TOUCHES D’INCLINAISON** : permettent d’ajuster l’inclinaison par petits incréments (0,5 %).
- F) **ENTER (ENTRÉE)** : permet de confirmer les paramètres du programme d’entraînement ou le profil d’utilisateur.
- G) **START (MARCHE)** : appuyez sur cette touche pour démarrer l’exercice, commencer votre entraînement ou reprendre l’exercice après une pause.
- H) **EMPLACEMENT DE LA CLÉ DE SÉCURITÉ** : active le tapis de course lorsque la clé de sécurité est insérée.
- I) **STOP (ARRÊT)** : appuyez sur cette touche pour mettre en pause/mettre fin à votre entraînement. Appuyez sur la touche pendant 3 secondes pour réinitialiser la console.
- J) **TOUCHES DE VITESSE** : permettent d’ajuster la vitesse par petits incréments (0,1 km/h).



## AFFICHAGES DE LA CONSOLE T82



### FENÊTRES D’AFFICHAGE

- **TIME (DURÉE)** : représentée en minutes : secondes. Indique le temps restant ou le temps écoulé de votre séance d’entraînement.
- **DISTANCE** : représentée en km ou en miles. Indique la distance parcourue ou la distance restante pendant votre séance d’entraînement.
- **SPEED (VITESSE)** : représentée en miles/h ou km/h. Indique la vitesse de déplacement de votre bande de course ou de marche.
- **CALORIES** : nombre total de calories brûlées ou de calories restant à brûler pendant la séance d’entraînement.
- **HEART RATE (FRÉQUENCE CARDIAQUE)** : représentée en BPM (battements par minute). Permet à l’utilisateur de surveiller sa fréquence cardiaque (s’affiche lorsque le contact est établi avec les deux poignées du cardio-fréquencemètre).
- **INCLINE (INCLINAISON)** : représentée en pourcentage. Indique l’inclinaison de votre surface de marche ou de course.
- **STEPS (PAS)** : (utilisation possible uniquement avec le programme 10 000 pas). Permet d’afficher les pas devant encore être réalisés pendant votre séance d’entraînement.

### GUIDE DE DÉMARRAGE

- 1) Assurez-vous qu’aucun objet qui pourrait gêner le mouvement du tapis de course n’est placé sur la bande de course.
- 2) Branchez le cordon d’alimentation et allumez le tapis de course.
- 3) Tenez-vous sur les rails latéraux du tapis de course.
- 4) Fixez l’attache de la clé de sécurité à une pièce de votre vêtement et assurez-vous qu’elle ne se détache pas du vêtement pendant la séance d’entraînement.
- 5) Insérez la clé de sécurité dans la serrure de la console.
- 6) Deux options s’offrent à vous pour commencer une séance d’entraînement :

#### A) MISE EN MARCHÉ RAPIDE

Il suffit d’appuyer sur START pour commencer l’entraînement. Le décompte de la durée, de la distance et des calories progresse à partir de zéro. OU...

#### B) SÉLECTIONNER UN PROGRAMME

- 1) Sélectionnez un programme en appuyant sur la TOUCHE DIRECTE ou à l’aide des FLÈCHES, puis appuyez sur ENTER pour confirmer les paramètres.
- 2) Si besoin, sélectionnez un niveau en appuyant sur les FLÈCHES HAUT et BAS, puis appuyez sur ENTER pour confirmer.
- 3) Une fois le réglage terminé, appuyez sur START pour commencer l’entraînement.

### POUR EFFACER LA SÉLECTION/RÉINITIALISER LA CONSOLE

Appuyez sur STOP pendant 3 secondes.

### FIN DE LA SÉANCE D’ENTRAÎNEMENT

Lorsque votre séance d’entraînement est terminée, le tapis de course s’arrête et émet un bip. Vous pouvez éteindre le tapis de course, autrement il passera en mode Économie d’énergie au bout de 15 minutes.



## INFORMATIONS SUR LE PROGRAMME

### REMARQUE :

- 1) Si l'inclinaison ou la vitesse ont été modifiées pendant votre séance d'entraînement, les segments restants seront également modifiés.
- 2) Contenu T82 : calorie goal (objectif en calories), weight loss (perte de poids), leg toner (tonification des jambes) & 10K Steps (10K pas).

- 1) **CALORIE GOAL (OBJECTIF EN CALORIES)** : définissez le nombre de calories que vous voulez brûlez aujourd'hui, puis la vitesse souhaitée. Votre machine vous guidera à travers une séance d'entraînement et vous aidera à terminer votre tâche. Lorsque vous utilisez ce programme, vous pouvez ajuster votre vitesse et votre niveau d'inclinaison pendant votre séance d'entraînement. La console passera automatiquement en Calories à brûler et compte à rebours à partir de vos calories cibles.

- 2) **WEIGHT LOSS (PERTE DE POIDS)** : favorise la perte de poids en augmentant ou en réduisant la vitesse et l'inclinaison, tout en vous maintenant dans votre zone de combustion de graisses. Changements de vitesse et d'inclinaison, répétition

(métrique, km/h)

Segment	Durée	Échauffement		1		2		3		4		5		6		7		8		Récupération		
		4:00 MIN	30 SEC	30 SEC	30 SEC	30 SEC	30 SEC	30 SEC	30 SEC	30 SEC	30 SEC	30 SEC	30 SEC	30 SEC	30 SEC	30 SEC	30 SEC	30 SEC	30 SEC	30 SEC	4:00 MIN	
Niveau 1	Inclinaison	0.0	0.5	1.5	1.5	1.0	0.5	0.5	0.5	1.0	1.5	0.5	0.0									
	Vitesse	1.6	2.4	3.2	4.0	4.8	5.6	6.4	5.6	4.8	4.0	3.6	2.4									
Niveau 2	Inclinaison	0.0	0.5	1.5	1.5	1.0	0.5	1.0	0.5	1.0	1.5	0.5	0.0									
	Vitesse	2.0	3.0	4.0	4.8	5.6	6.4	7.2	6.4	5.6	4.8	4.1	2.8									
Niveau 3	Inclinaison	0.5	1.0	2.0	2.0	1.5	1.0	1.0	1.0	1.5	2.0	1.0	0.5									
	Vitesse	2.4	3.6	4.8	5.6	6.4	7.2	8.0	7.2	6.4	5.6	4.8	3.2									
Niveau 4	Inclinaison	0.5	1.0	2.0	2.0	1.5	1.0	1.0	1.0	1.5	2.0	1.0	0.5									
	Vitesse	2.8	4.1	5.6	6.4	7.2	8.0	8.8	8.0	7.2	6.4	5.4	3.6									
Niveau 5	Inclinaison	1.0	1.5	2.5	2.5	2.0	1.5	1.5	1.5	2.0	2.5	1.5	1.0									
	Vitesse	3.2	4.8	6.4	7.2	8.0	8.8	9.6	8.8	8.0	7.2	6.0	4.0									
Niveau 6	Inclinaison	1.0	1.5	2.5	2.5	2.0	1.5	1.5	1.5	2.0	2.5	1.5	1.0									
	Vitesse	3.6	5.4	7.2	8.0	8.8	9.6	10.4	9.6	8.8	8.0	6.5	4.4									
Niveau 7	Inclinaison	1.5	2.0	3.0	3.0	2.5	2.0	2.0	2.0	2.5	3.0	2.0	1.5									
	Vitesse	4.0	6.0	8.0	8.8	9.6	10.4	11.2	10.4	9.6	8.8	7.2	4.8									
Niveau 8	Inclinaison	1.5	2.0	3.0	3.0	2.5	2.0	2.0	2.0	2.5	3.0	2.0	1.5									
	Vitesse	4.4	6.5	8.8	9.6	10.4	11.2	12.0	11.2	10.4	9.6	7.8	5.2									
Niveau 9	Inclinaison	2.0	2.5	3.5	3.5	3.0	2.5	2.5	2.5	3.0	3.5	2.5	2.0									
	Vitesse	4.8	7.2	9.6	10.4	11.2	12.0	12.8	12.0	11.2	10.4	8.4	5.6									
Niveau 10	Inclinaison	2.0	2.5	3.5	3.5	3.0	2.5	2.5	2.5	3.0	3.5	2.5	2.0									
	Vitesse	5.2	7.8	10.4	11.2	12.0	12.8	13.6	12.8	12.0	11.2	8.9	6.0									

(anglo-saxon, miles par minute)

Segment	Durée	Échauffement		1		2		3		4		5		6		7		8		Récupération		
		4:00 MIN	30 SEC	30 SEC	30 SEC	30 SEC	30 SEC	30 SEC	30 SEC	30 SEC	30 SEC	30 SEC	30 SEC	30 SEC	30 SEC	30 SEC	30 SEC	30 SEC	30 SEC	30 SEC	4:00 MIN	
Niveau 1	Inclinaison	0.0	0.5	1.5	1.5	1.0	0.5	0.5	0.5	1.0	1.5	0.5	0.0									
	Vitesse	1.0	1.5	2.0	2.5	3.0	3.5	4.0	3.5	3.0	2.5	2.3	1.5									
Niveau 2	Inclinaison	0.0	0.5	1.5	1.5	1.0	0.5	1.0	0.5	1.0	1.5	0.5	0.0									
	Vitesse	1.3	1.9	2.5	3.0	3.5	4.0	4.5	4.0	3.5	3.0	2.6	1.8									
Niveau 3	Inclinaison	0.5	1.0	2.0	2.0	1.5	1.0	1.0	1.0	1.5	2.0	1.0	0.5									
	Vitesse	1.5	2.3	3.0	3.5	4.0	4.5	5.0	4.5	4.0	3.5	3.0	2.0									
Niveau 4	Inclinaison	0.5	1.0	2.0	2.0	1.5	1.0	1.0	1.0	1.5	2.0	1.0	0.5									
	Vitesse	1.8	2.6	3.5	4.0	4.5	5.0	5.5	5.0	4.5	4.0	3.4	2.3									
Niveau 5	Inclinaison	1.0	1.5	2.5	2.5	2.0	1.5	1.5	1.5	2.0	2.5	1.5	1.0									
	Vitesse	2.0	3.0	4.0	4.5	5.0	5.5	6.0	5.5	5.0	4.5	3.8	2.5									
Niveau 6	Inclinaison	1.0	1.5	2.5	2.5	2.0	1.5	1.5	1.5	2.0	2.5	1.5	1.0									
	Vitesse	2.3	3.4	4.5	5.0	5.5	6.0	6.5	6.0	5.5	5.0	4.1	2.8									
Niveau 7	Inclinaison	1.5	2.0	3.0	3.0	2.5	2.0	2.0	2.0	2.5	3.0	2.0	1.5									
	Vitesse	2.5	3.8	5.0	5.5	6.0	6.5	7.0	6.5	6.0	5.5	4.5	3.0									
Niveau 8	Inclinaison	1.5	2.0	3.0	3.0	2.5	2.0	2.0	2.0	2.5	3.0	2.0	1.5									
	Vitesse	2.8	4.1	5.5	6.0	6.5	7.0	7.5	7.0	6.5	6.0	4.9	3.3									
Niveau 9	Inclinaison	2.0	2.5	3.5	3.5	3.0	2.5	2.5	2.5	3.0	3.5	2.5	2.0									
	Vitesse	3.0	4.5	6.0	6.5	7.0	7.5	8.0	7.5	7.0	6.5	5.3	3.5									
Niveau 10	Inclinaison	2.0	2.5	3.5	3.5	3.0	2.5	2.5	2.5	3.0	3.5	2.5	2.0									
	Vitesse	3.3	4.9	6.5	7.0	7.5	8.0	8.5	8.0	7.5	7.0	5.6	3.8									



des segments toutes les 30 secondes.

**3) LEG TONER (TONIFICATION DES JAMBES) :** favorise l'entraînement de la partie inférieure du corps et permet de tonifier vos jambes en augmentant et en réduisant la vitesse et l'inclinaison. Changements de vitesse et d'inclinaison, répétition des segments toutes les 30 secondes. Pour tonifier vos muscles des jambes, vous devez vous entraîner correctement et suivre les instructions ci-dessous :

- 1) Étirez vos jambes correctement.
- 2) Commencez à vitesse lente et votre talon doit toujours toucher doucement le sol lorsque vous marchez. (Il est recommandé de porter une paire de chaussures de course appropriée)
- 3) Terminez l'ensemble de l'entraînement ou réalisez au moins 30 minutes.
- 4) Buvez lentement 500 à 1 000 ml d'eau après l'entraînement.

(métrique, km/h)

Segments	Échauffement										Récupération	
	4:00 MIN		30 SEC	30 SEC	30 SEC	30 SEC	30 SEC	30 SEC	30 SEC	30 SEC	4:00 MIN	
Niveau 1	0.8	1.6	2.4	3.2	4.0	4.8	5.6	4.8	4.0	3.2	1.6	0.8
Niveau 2	0.8	1.6	3.2	4.0	4.8	5.6	6.4	5.6	4.8	4.0	1.6	0.8
Niveau 3	0.8	2.4	4.0	4.8	5.6	6.4	7.2	6.4	5.6	4.8	2.4	1.6
Niveau 4	0.8	2.4	4.8	5.6	6.4	7.2	8.0	7.2	6.4	5.6	2.4	1.6
Niveau 5	0.8	3.2	5.6	6.4	7.2	8.0	8.8	8.0	7.2	6.4	3.2	1.6
Niveau 6	0.8	3.2	6.4	7.2	8.0	8.8	9.6	8.8	8.0	7.2	3.2	1.6
Niveau 7	0.8	4.0	7.2	8.0	8.8	9.6	10.4	9.6	8.8	8.0	4.0	2.4
Niveau 8	0.8	4.0	8.0	8.8	9.6	10.4	11.2	10.4	9.6	8.8	4.0	2.4
Niveau 9	0.8	4.8	8.8	9.6	10.4	11.2	12.0	11.2	10.4	9.6	4.8	3.2
Niveau 10	0.8	4.8	9.6	10.4	11.2	12.0	12.8	12.0	11.2	10.4	4.8	3.2

(anglo-saxon, miles par minute)

Segments	Échauffement										Récupération	
	4:00 MIN		30 SEC	30 SEC	30 SEC	30 SEC	30 SEC	30 SEC	30 SEC	30 SEC	4:00 MIN	
Niveau 1	0.5	1.0	1.5	2.0	2.5	3.0	3.5	3.0	2.5	2.0	1.0	0.5
Niveau 2	0.5	1.0	2.0	2.5	3.0	3.5	4.0	3.5	3.0	2.5	1.0	0.5
Niveau 3	0.5	1.5	2.5	3.0	3.5	4.0	4.5	4.0	3.5	3.0	1.5	1.0
Niveau 4	0.5	1.5	3.0	3.5	4.0	4.5	5.0	4.5	4.0	3.5	1.5	1.0
Niveau 5	0.5	2.0	3.5	4.0	4.5	5.0	5.5	5.0	4.5	4.0	2.0	1.0
Niveau 6	0.5	2.0	4.0	4.5	5.0	5.5	6.0	5.5	5.0	4.5	2.0	1.0
Niveau 7	0.5	2.5	4.5	5.0	5.5	6.0	6.5	6.0	5.5	5.0	2.5	1.5
Niveau 8	0.5	2.5	5.0	5.5	6.0	6.5	7.0	6.5	6.0	5.5	2.5	1.5
Niveau 9	0.5	3.0	5.5	6.0	6.5	7.0	7.5	7.0	6.5	6.0	3.0	2.0
Niveau 10	0.5	3.0	6.0	6.5	7.0	7.5	8.0	7.5	7.0	6.5	3.0	2.0

- 5) Massez vos jambes et vos pieds après l'entraînement.
- 6) Répétez l'entraînement 2 à 3 fois/semaine, et ne faites pas d'exercice excessif en permanence.

**4) 10,000 STEPS (10 000 PAS) :** touche directe pour un programme à base de pas. Le tapis de course transférera automatiquement vos paramètres d'entraînement en pas effectués et vous aidera à atteindre votre objectif quotidien en matière de pas. (Voir la remarque ci-dessous pour plus de détails).

Remarque :

**TEST IMC :** touche directe de test IMC pour vous permettre d'obtenir votre INDICE DE MASSE CORPORELLE. Entrez votre poids et votre taille après avoir appuyé sur cette touche. Votre machine vous aidera à calculer votre indice d'IMC pour le suivi futur.

Calcul de l'IMC :

Kilogrammes et mètres (ou centimètres) Calcul : poids (kg) / [taille (m)]<sup>2</sup>

Livres et pouces Calcul : poids (lb) / [taille (in)]<sup>2</sup> x 703

Catégorie	Plage d'IMC - kg/m <sup>2</sup>
Très grave insuffisance pondérale	moins de 15
Grave insuffisance pondérale	de 15 à 16
Insuffisance pondérale	de 16 à 18,5
Corpulence normale (poids idéal)	de 18,5 à 25
Surpoids	de 25 à 30
Obésité de classe I (obésité modérée)	de 30 à 35
Obésité de classe II (obésité sévère)	de 35 à 40
Obésité de classe III (obésité morbide)	supérieur à 40

Remarque : la classification IMC peut varier selon les pays. Le tableau ci-dessus mentionne les informations générales de l'OMC.

Pour plus de renseignements, n'hésitez pas à consulter la « Classification IMC » de l'Organisation mondiale de la Santé.

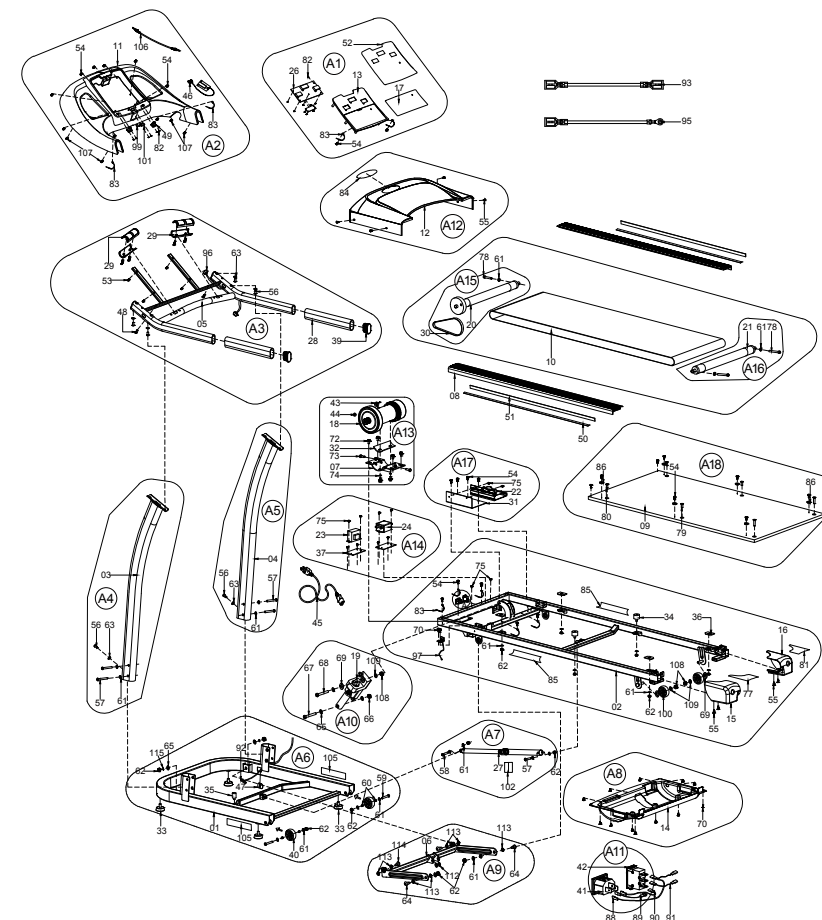


## ÉCONOMIE D'ÉNERGIE (MODE VEILLE)

Cette machine est dotée d'un mode économie d'énergie. L'écran passera automatiquement en mode veille (mode économie d'énergie) après 15 minutes d'inactivité et pourra être réveillé en touchant un bouton. En entrant en mode Économie d'énergie, presque toute l'alimentation de la machine sera coupée, à l'exception de certains circuits nécessaires pour détecter une pression sur une touche, indiquant que la console doit se "réveiller". Cette fonctionnalité peut être désactivée en entrant dans le menu d'ingénierie.

Pour entrer dans le menu d'ingénierie, appuyez sur les touches d'inclinaison ▲ et de vitesse ▼ et maintenez-les enfoncées pendant 3 à 5 secondes. (\* voir la Remarque ci-dessous) Utilisez les touches d'inclinaison ▲ et de vitesse ▼ pour naviguer dans le menu jusqu'à ENG3. Appuyez sur ENTER pour sélectionner. Utilisez les touches d'inclinaison ▲ et de vitesse ▼ pour sélectionner ENRGY SAVER ON ou OFF. Appuyez sur la touche STOP et maintenez-la enfoncée pendant 3 à 5 secondes pour quitter ENG3. Appuyez de nouveau sur la touche STOP et maintenez-la enfoncée pendant 3 à 5 secondes pour quitter le menu d'ingénierie.

## VUE EXPLOSÉE DE LA T82



## LISTE DES PIÈCES DE LA T82

N°	DESCRIPTION	QTÉ
A9	ENSEMBLE DE MONTAGE DE L'INCLINAISON	1
06	MONTAGE DE L'INCLINAISON	1
64	QUEUE DE COCHON M8 ; M8X28	2
114	QUEUE DE COCHON M8 ; M8X32.5MM	2
61	RONDELLE PLATE Φ8	2
62	CONTRE-ÉCROU M8	2
112	ENTRETOISE NYLON ; Φ24XΦ13XT1.0	2
113	PALIER SEC ; Φ18XΦ10XT4.0	8
A7	ENSEMBLE AMORTISSEUR PNEUMATIQUE	1
27	AMORTISSEUR PNEUMATIQUE	1
57	VIS M8X45	1
58	VIS M8X35	1
61	RONDELLE PLATE Φ8	4
62	CONTRE-ÉCROU M8	2
102	TIGE D'AMORTISSEUR PNEUMATIQUE	1
A13	ENSEMBLE MOTEUR 220 V	1
07	MONTAGE DU MOTEUR	1
18	MOTEUR CC 220V	1
32	COUSSINET MOTEUR	1
43	ANNEAU MAGNÉTIQUE ; Φ31XΦ19X13MM	1
44	ANNEAU MAGNÉTIQUE ; Φ25XΦ15X12MM	1
72	BOULON M8X12	6
73	BOULON M8X30	2
74	TAMPON ; Φ8	2
A12	ENSEMBLE CAPOT DU MOTEUR	1

N°	DESCRIPTION	QTÉ
12	CAPOT DU MOTEUR	1
55	VIS ST4.2X16	4
84	LOGO	1
A4	ENSEMBLE MONTANT DE CONSOLE GAUCHE	1
03	MONTANT DE CONSOLE GAUCHE	1
56	VIS M8X16	1
57	VIS M8X53	2
61	RONDELLE PLATE Φ8	2
63	RONDELLE EN ARC	1
A5	ENSEMBLE MONTANT DE CONSOLE DROIT	1
04	MONTANT DE CONSOLE DROIT	1
56	VIS M8X16	1
57	VIS M8X53	2
61	RONDELLE PLATE Φ8	2
63	RONDELLE EN ARC ; Φ8	1
A2	ENSEMBLE COUVERCLE DE LA CONSOLE	1
11	CONSOLE	1
49	PLAQUE FIXE TÊTE AUDIO	2
106	CÂBLE AUDIO ;400MM, 3 BROCHES	1
99	PLAQUE MAGNÉTIQUE ; Φ18X4.0	1
46	CLÉ DE SÉCURITÉ	1
82	VIS ST3X8	6
83	FIXATION	2
101	CLÉ DE SÉCURITÉ	1
107	VIS ST4.2X13	4

N°	DESCRIPTION	QTÉ
54	VIS ST4.2X13	9
A1	RECOUVREMENT AVEC ANGLAIS (NUMÉRIQUE)	1
82	VIS ST3X8	9
26	CARTE CONTRÔLEUR DE LA CONSOLE (220 V) (NUMÉRIQUE)	1
13	COUVERCLE DE LA CONSOLE	1
52	AUTOCOLLANT DE CONSOLE (EN)	1
17	CLAVIER FILM	1
83	FIXATION	2
54	VIS ST4.2X13	2
A15	ENSEMBLE ROULEAU AVANT	1
20	ROULEAU AVANT ; Φ42	1
30	COURROIE D'ENTRAÎNEMENT ; PJ483/190J/6 SC30	1
61	RONDELLE PLATE Φ8	1
78	VIS M8X55	1
A16	ENSEMBLE ROULEAU ARRIÈRE	1
21	ROULEAU ARRIÈRE ; Φ42	1
61	RONDELLE PLATE Φ8	2
78	VIS M8X55	2
A11	ENSEMBLE CORDON D'ALIMENTATION	1
41	PRISE	1
42	RÉINITIALISATION/DÉSACTIVATION COUPE-CIRCUIT 220 V	1
45	CORDON D'ALIMENTATION	1
88	CÂBLE D'ENTRÉE CA (NOIR) ; 100/250MM	1
89	CÂBLE DETERRE (JAUNE & VERT) ; 350MM	1
90	CÂBLE D'ENTRÉE CA (ROUGE) ; 250MM	1

N°	DESCRIPTION	QTÉ
91	CÂBLE DE SORTIE CA (ROUGE) ; 100MM	1
93	CÂBLE D'ALIMENTATION CA (ROUGE) ; 550MM	1
95	CÂBLE DE FILTRE (JAUNE & VERT) ; 100MM	1
A14	ENSEMBLE FILTRE	1
23	INDUCTANCE	1
24	FILTRE	1
37	PLAQUE DE FILTRE	2
75	VIS M4X8	8
A17	ENSEMBLE CONTRÔLEUR-ERP (NUMÉRIQUE)	1
22	CONTRÔLEUR-ERP (NUMÉRIQUE)	1
31	PLAQUE FIXE DU CONTRÔLEUR ; 177X174X2.0MM	1
54	VIS ST4.2X13	4
75	VIS M4X8	2
A3	ENSEMBLE CADRE DE LA CONSOLE	1
5	CADRE DE LA CONSOLE	1
28	MOUSSE ; 315MMX3.0MM, Φ32MMX1.5	2
29	POULS DROIT	2
39	BOUCHON ELLIPTIQUE	2
48	VIS ST4.2X30	2
53	VIS ST4.2X20	4
56	BOULON M8*16	4
63	RONDELLE EN ARC ; Φ8	4
96	CÂBLE DE CONNEXION DE LA CONSOLE ; 500MM ; 5 BROCHES	1
A10	ENSEMBLE MOTEUR D'INCLINAISON 220 V	1
19	MOTEUR D'INCLINAISON 220 V	1

## LISTE DES PIÈCES DE LA T82

N°	DESCRIPTION	QTÉ
65	RONDELLE PLATE Φ10	2
66	CONTRE-ÉCROU M10	1
67	BOULON M10X65	1
68	BOULON M10X50	1
69	TAMPON ; Φ25XΦ10.5XT2.0	2
108	CONTRE-ÉCROU M10	1
109	RONDELLE PLATE Φ10	2
A18	ENSEMBLE PLATEFORME DE COURSE	1
9	PLATEFORME DE COURSE ; 1260X57XT15	1
54	VIS ST4.2X13	8
79	BOULON M8X20	2
80	BOULON M8X35	4
86	GUIDE	6
A6	ENSEMBLE CHÂSSIS	1
01	CHÂSSIS	1
33	PARE-CHOC ; M10, 15MM	4
35	TAMPON EN CAOUTCHOUC ; 35XΦ20MM	1
40	ROULETTE Φ60	2
47	CACHE PROTECTEUR POUR CÂBLE ; 42X26X9 MM	1
59	VIS M8X50	2
60	Φ13.2XΦ8.2X7	4
61	RONDELLE PLATE Φ8	4
62	CONTRE-ÉCROU M8	4
65	RONDELLE PLATE Φ10	2
115	TAMPON ; Φ8	2

N°	DESCRIPTION	QTÉ
92	CÂBLE DE CONNEXION DU CHÂSSIS ; 1 700 MM ; 5 BROCHES	1
105	NOTE D'AVERTISSEMENT (CN,EN)	2
A8	ENSEMBLE CAPOT DU MOTEUR INFÉRIEUR	1
14	CAPOT DU MOTEUR INFÉRIEUR	1
70	VIS ST4.2X13	12
A19	ENSEMBLE CHÂSSIS PRINCIPAL	1
02	CHÂSSIS PRINCIPAL	1
08	REPOSE-PIED	2
10	BANDE DE COURSE ; 2820X415XT1.6	1
15	CAPUCHON DU ROULEAU GAUCHE	1
16	CAPUCHON DU ROULEAU DROIT	1
34	COUSSINET EN CAOUTCHOUC ; Φ30X20	2
36	COUSSINET DE PLATEFORME ; 45X33XT3.0	4
50	ADHÉSIF SIMPLE FACE ; 20X1120XT2.0	2
51	ADHÉSIF SIMPLE FACE ; 20X1120XT1.0	2
54	VIS ST4.2X13	5
61	RONDELLE PLATE Φ8	6
62	CONTRE-ÉCROU M8	6
109	RONDELLE PLATE Φ10	2
69	ENTRETOISE PLASTIQUE ; Φ25XΦ10.5XT2.0	2
70	VIS ST4.2X13	2
75	VIS M4X8	2
83	FIXATION	5
77	AUTOCOLLANT	1
81	AUTOCOLLANT	1

N°	DESCRIPTION	QTÉ
85	AUTOCOLLANT DÉCORATIF	2
97	INTERRUPTEUR À LAMES (NUMÉRIQUE) ; 900MM, 2 BROCHES	1
100	ROULETTE ; Φ60XΦ10.2X25	2
108	CONTRE-ÉCROU M10	2
55	VIS ST4.2X16	4
	SAC D'OUTILLAGE	1
	CARTON	1
	CARTON INTERNE	1

**Fre: Remarque relative à la gestion des déchets**

Les produits VISION Fitness / HORIZON Fitness / TEMPO Fitness / TREO Fitness sont recyclables. Lorsque cet appareil arrive en fin de vie, veuillez l'éliminer de manière correcte et en toute sécurité en le déposant dans une déchetterie communale.

