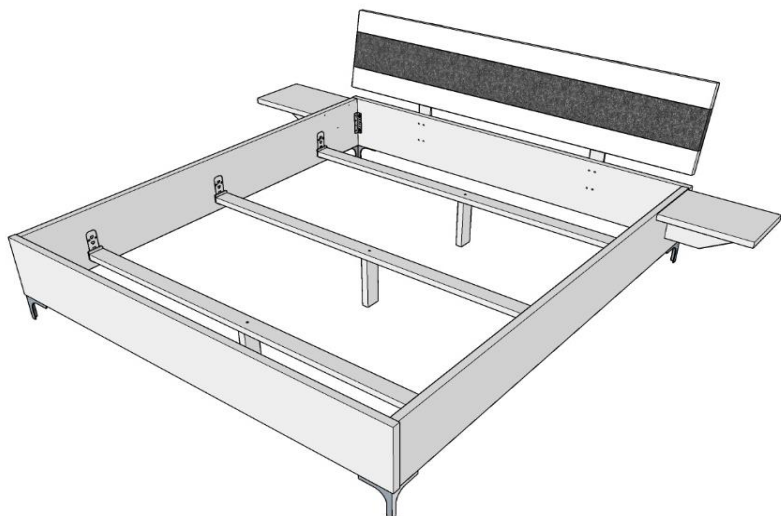
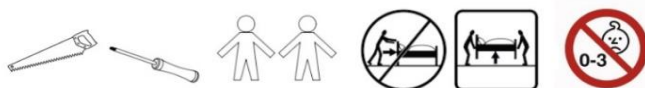
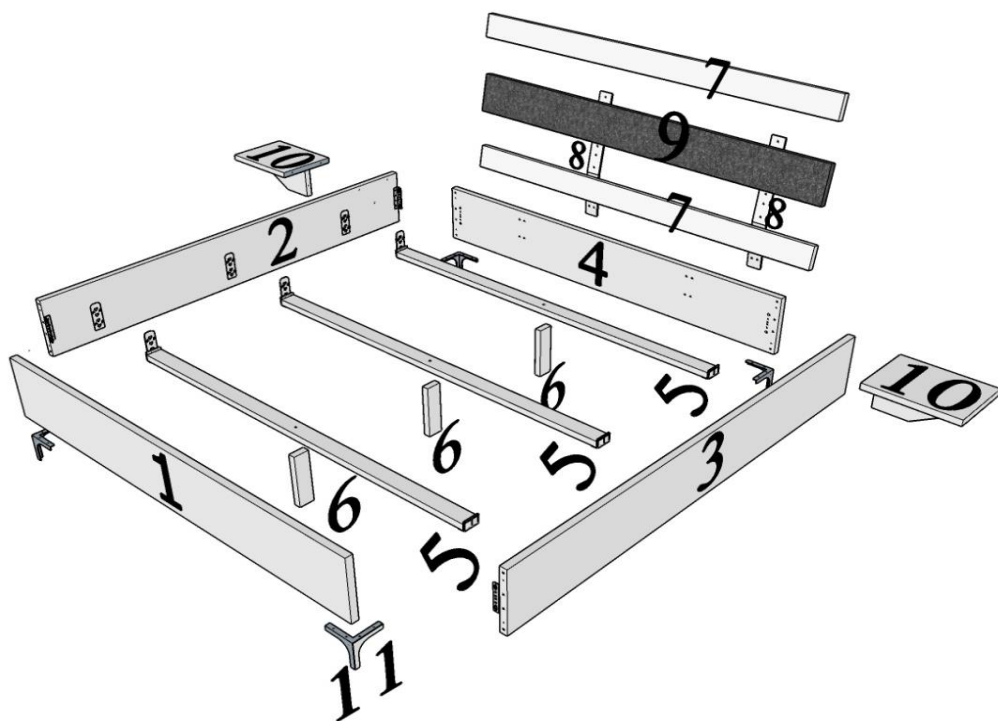








DONAU BETT Art. Nr 740637/740633/740638







MONTAGEANLEITUNG / NOTICE DE MONTAGE / ISTRUZIONI DI MONTAGGIO

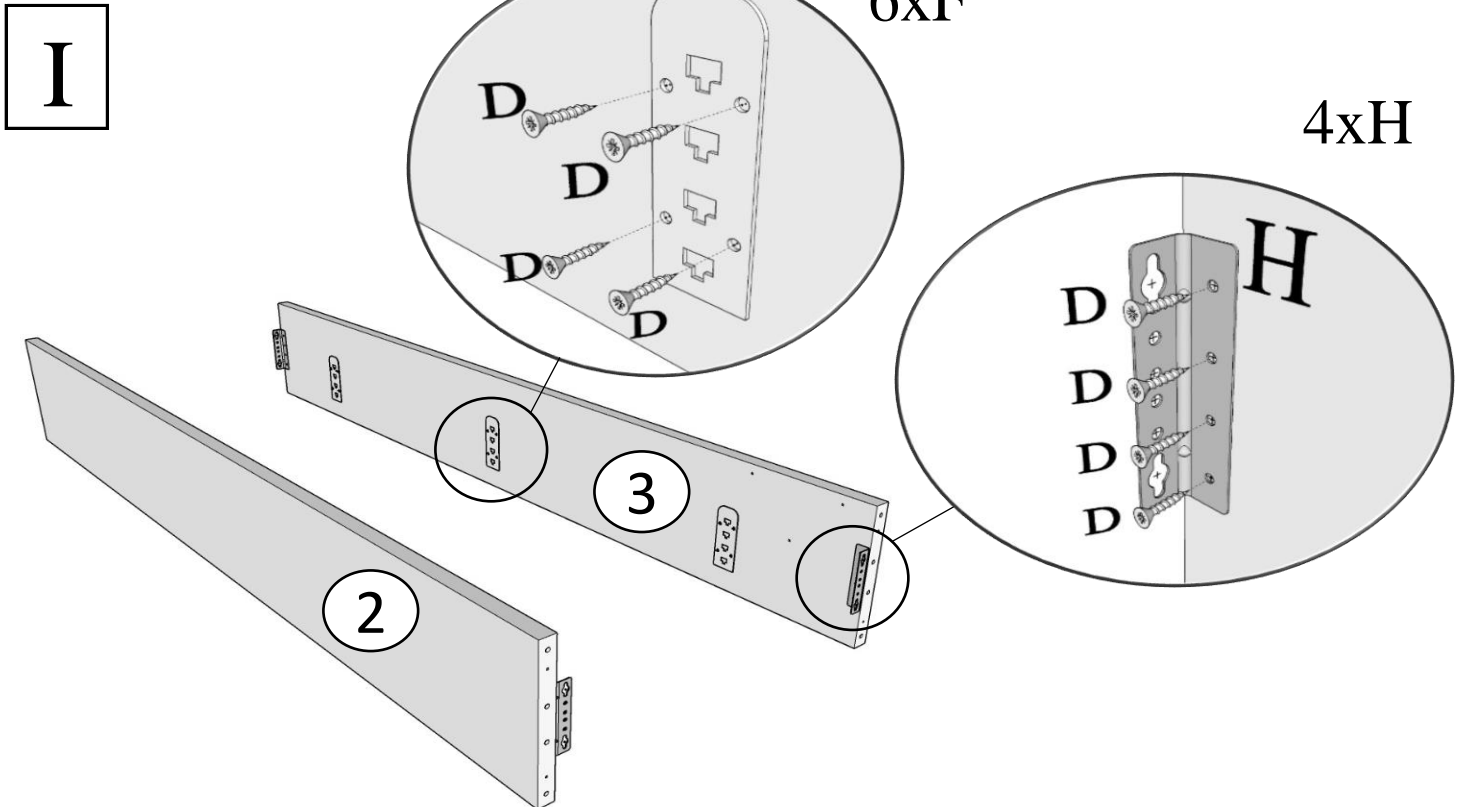


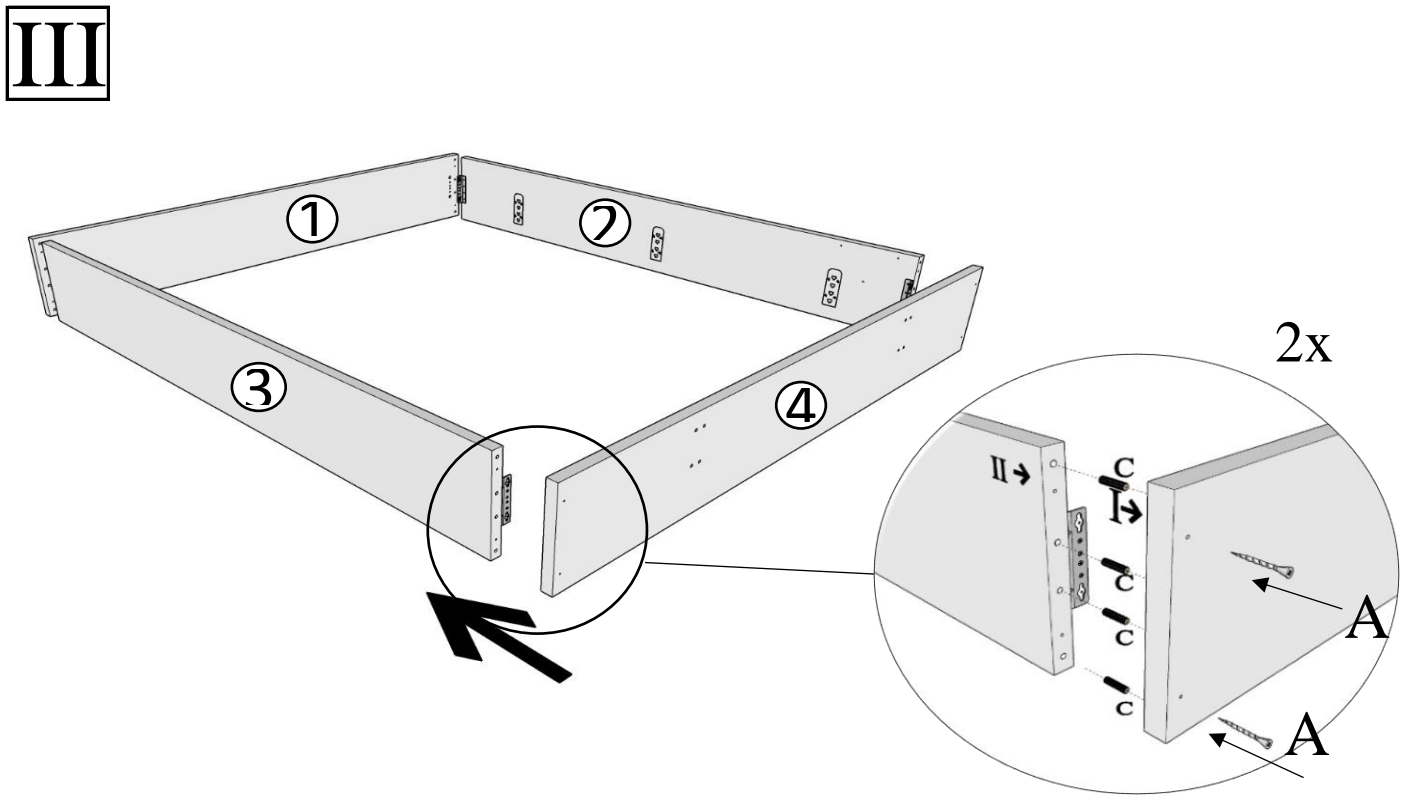
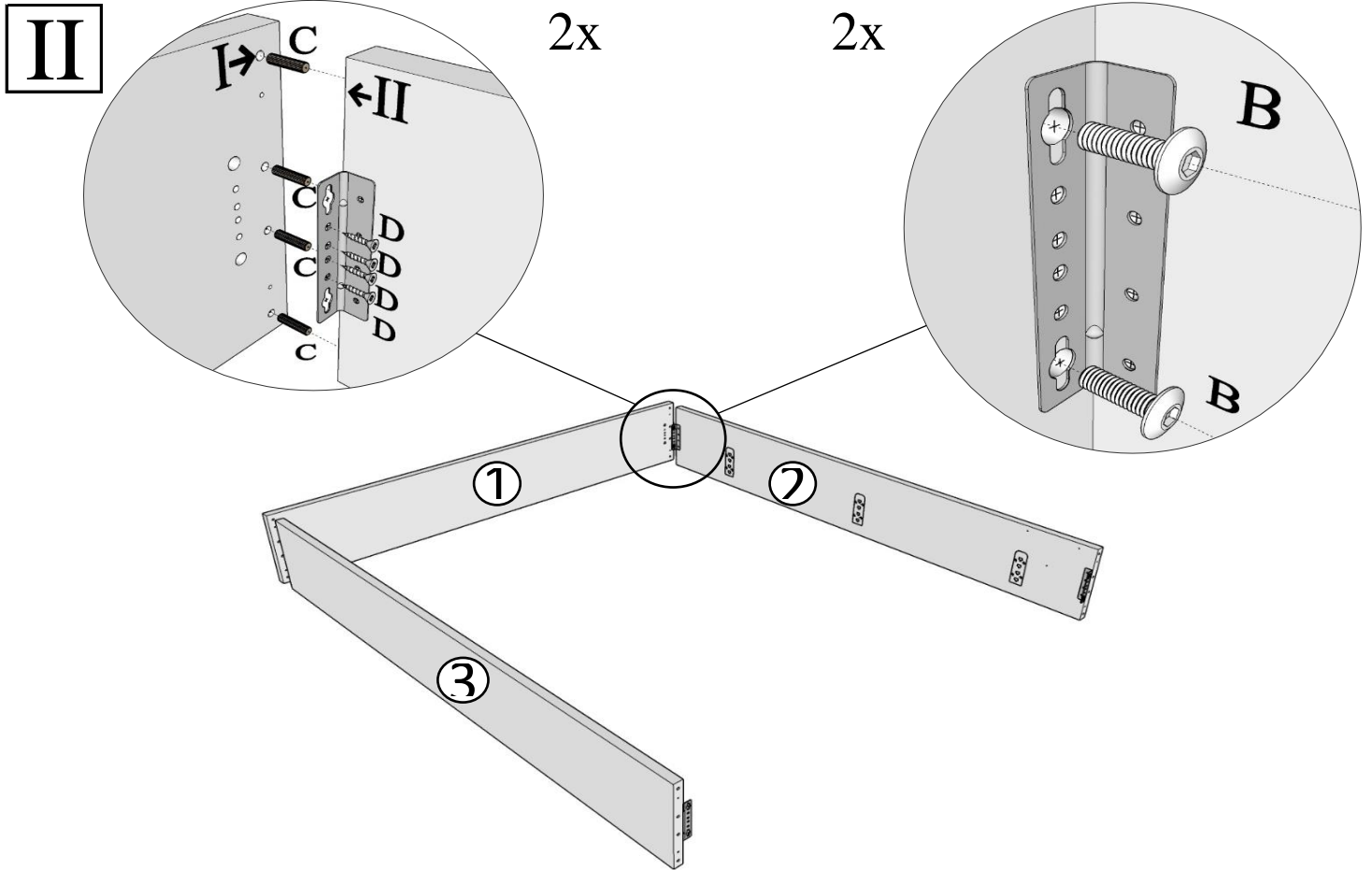
| | | |
|----|----------------------|---|
| 1 | 189x30x3 | 1 |
| 2 | 202x30x3 | 1 |
| 3 | 202x30x3 | 1 |
| 4 | 189x30x3 | 1 |
| 5 | 185x7x3 | 3 |
| 6 | 27x7x3 | 3 |
| 7 | 200x12x3 | 2 |
| 8 | 81x8x0,8 | 2 |
| 9 | 200x20x5,7 | 1 |
| 10 | 45x30x19 OPTIONAL | 2 |
| 11 | 13x13x13 | 4 |



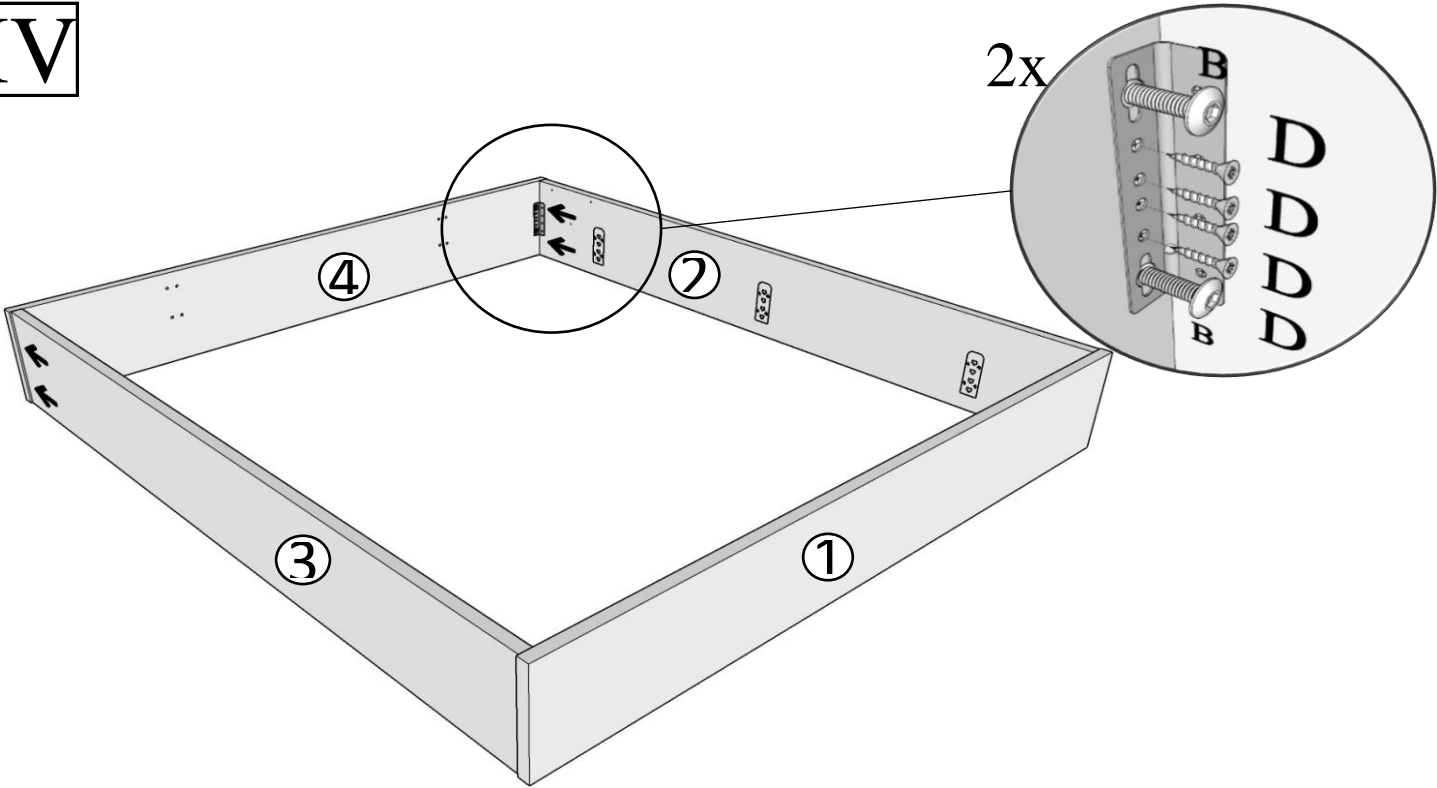
| A | B | C | D | E | F |
|---|---|---|---|---|---|
| 4x | 8x | 16x | 80 | 3x | 6x |
| 6x 80 | M6 x 14 | 8 x 30 | 4x25 | M6 x 50 | |
|  |  |  |  |  |  |

| G (optional) | H | I | J | K | L |
|--|--|---|---|---|---|
| 6x | 4x | 8x | 8x | 8x | 4 |
| 6x80 | | 6x45 | | M6x20 | 5x20 |
|  |  |  |  |  |  |

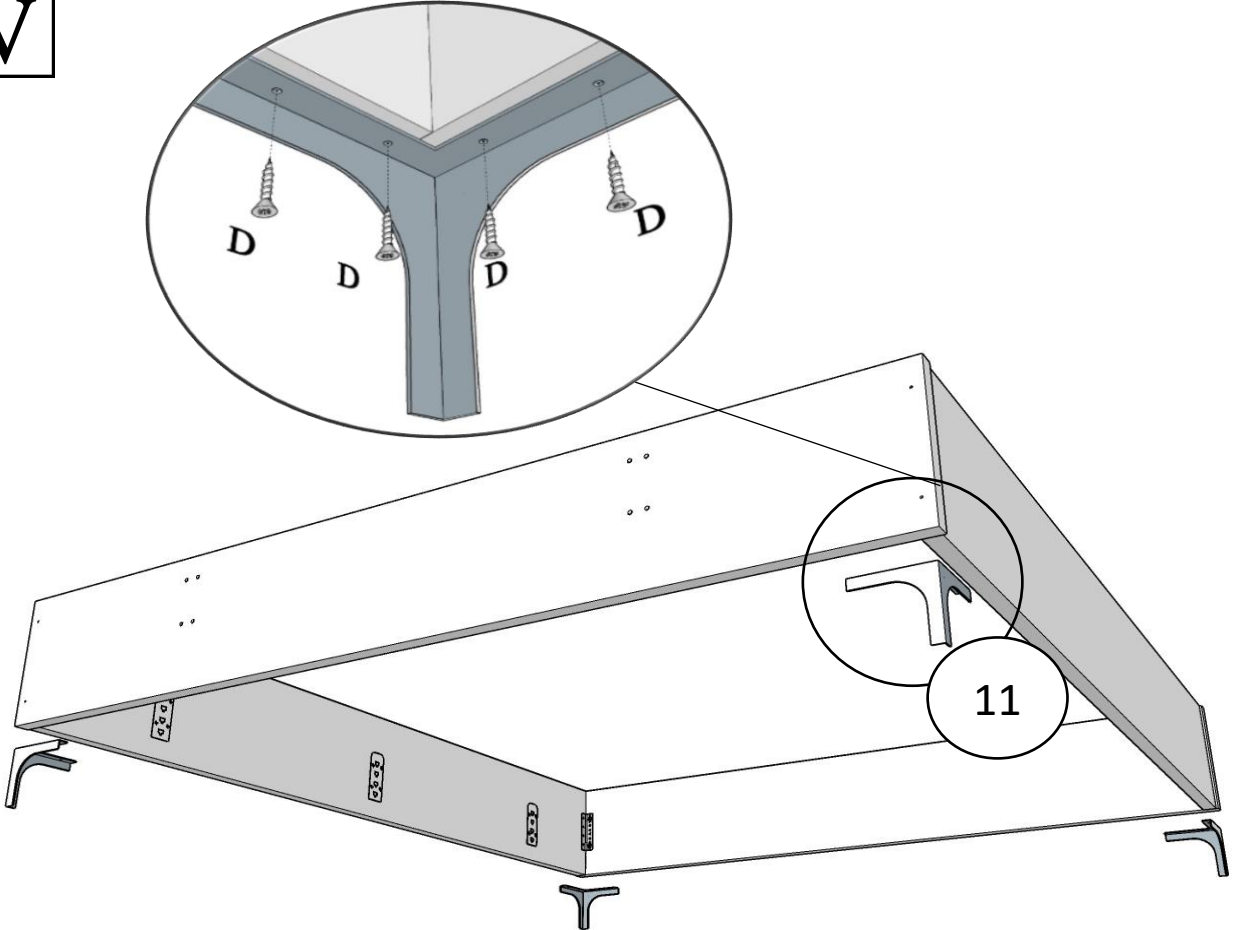




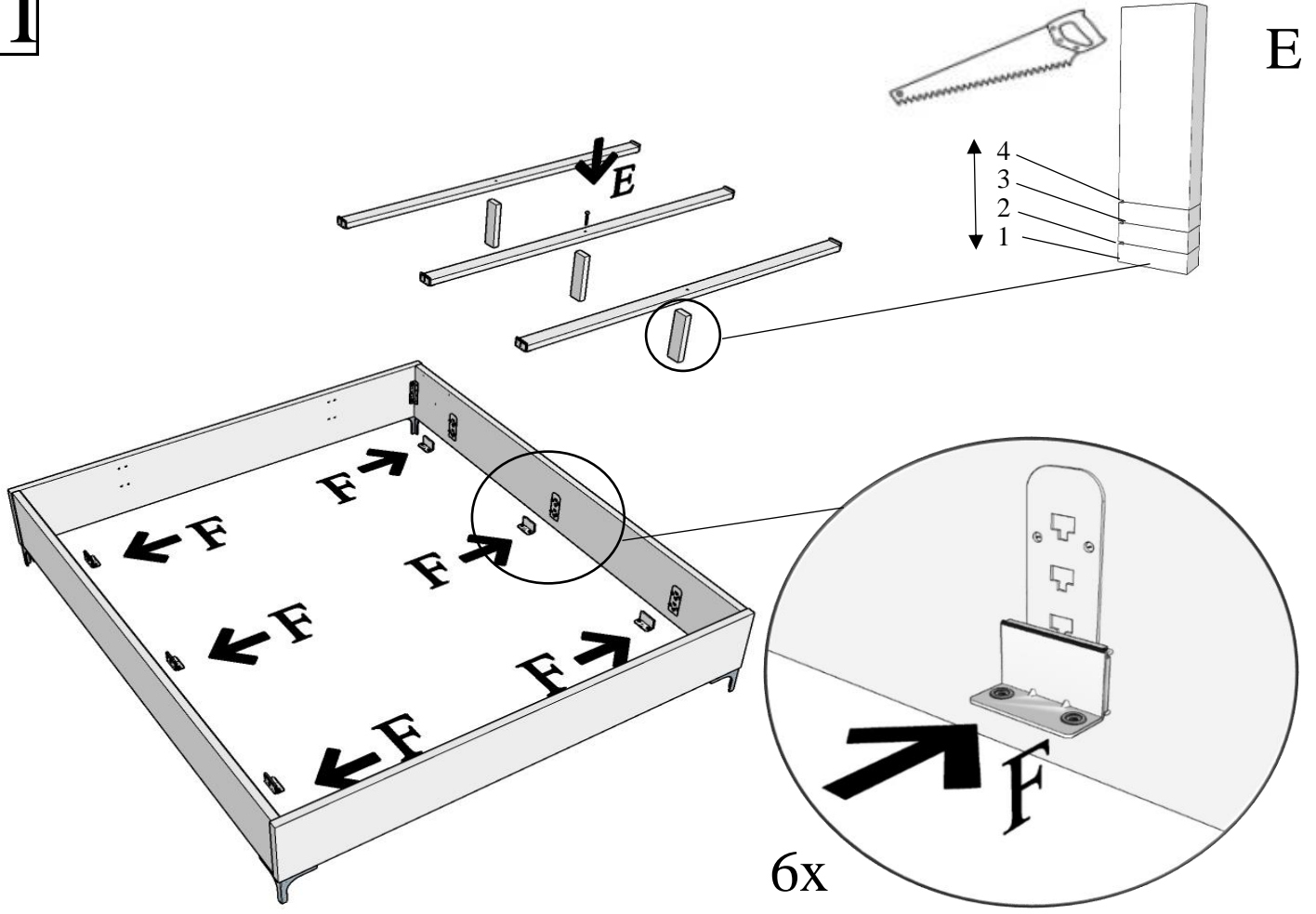
IV



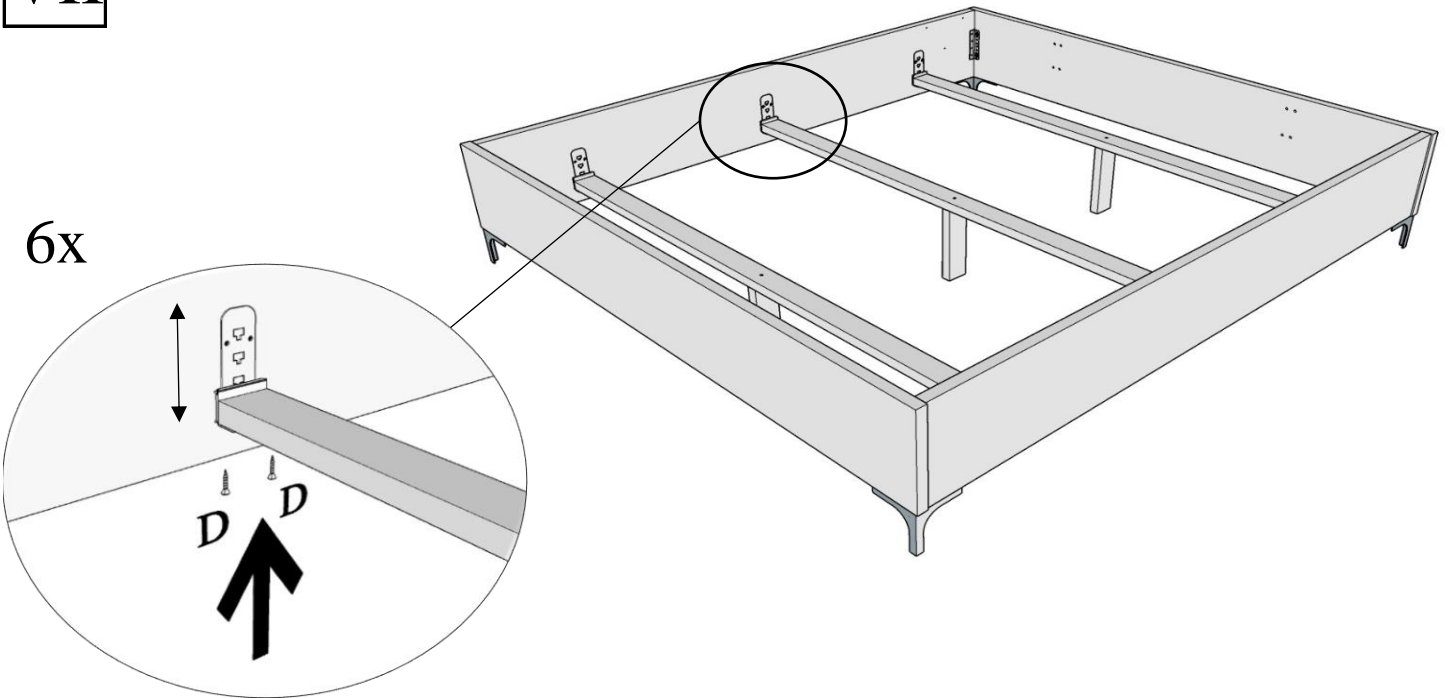
V



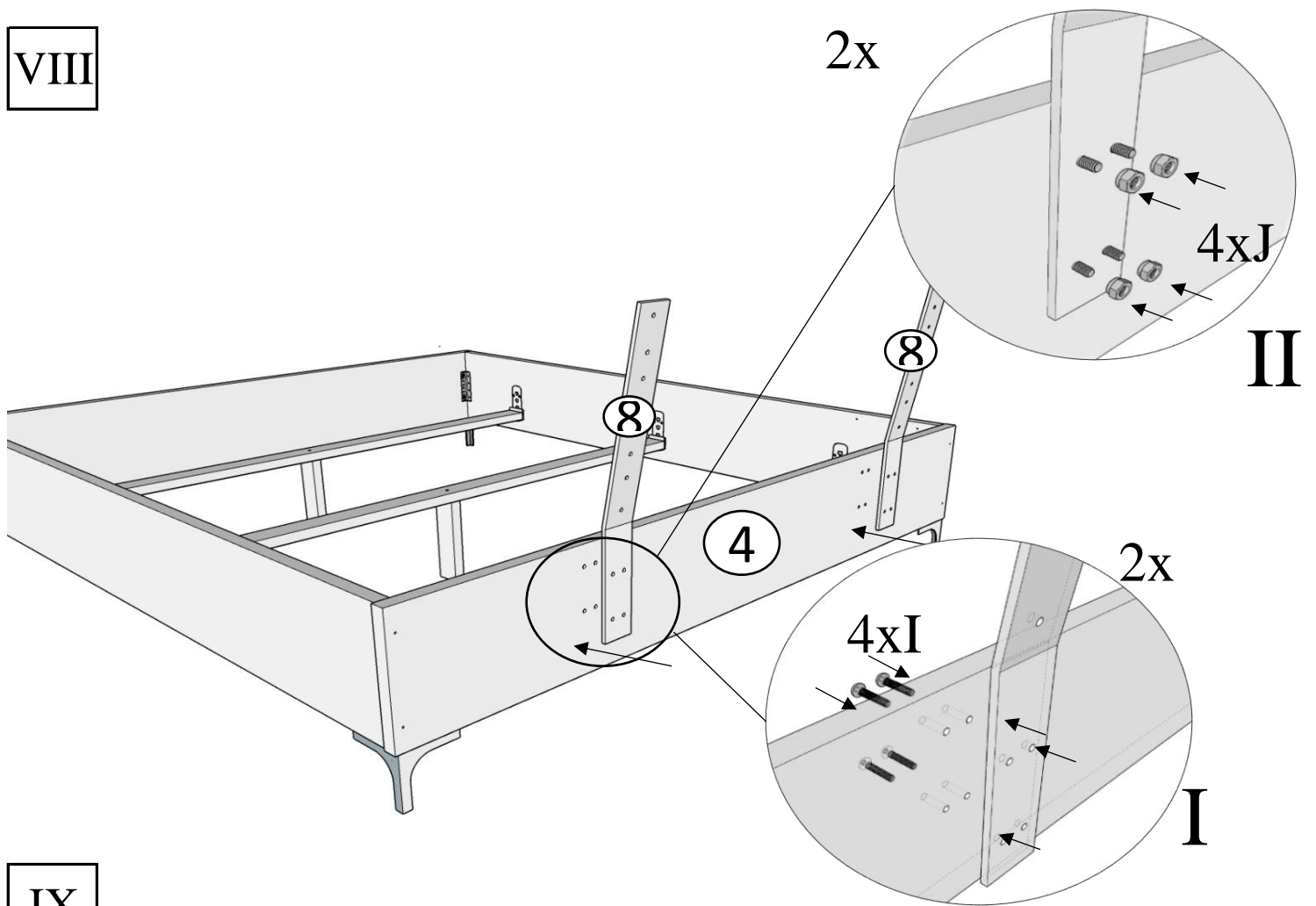
VI



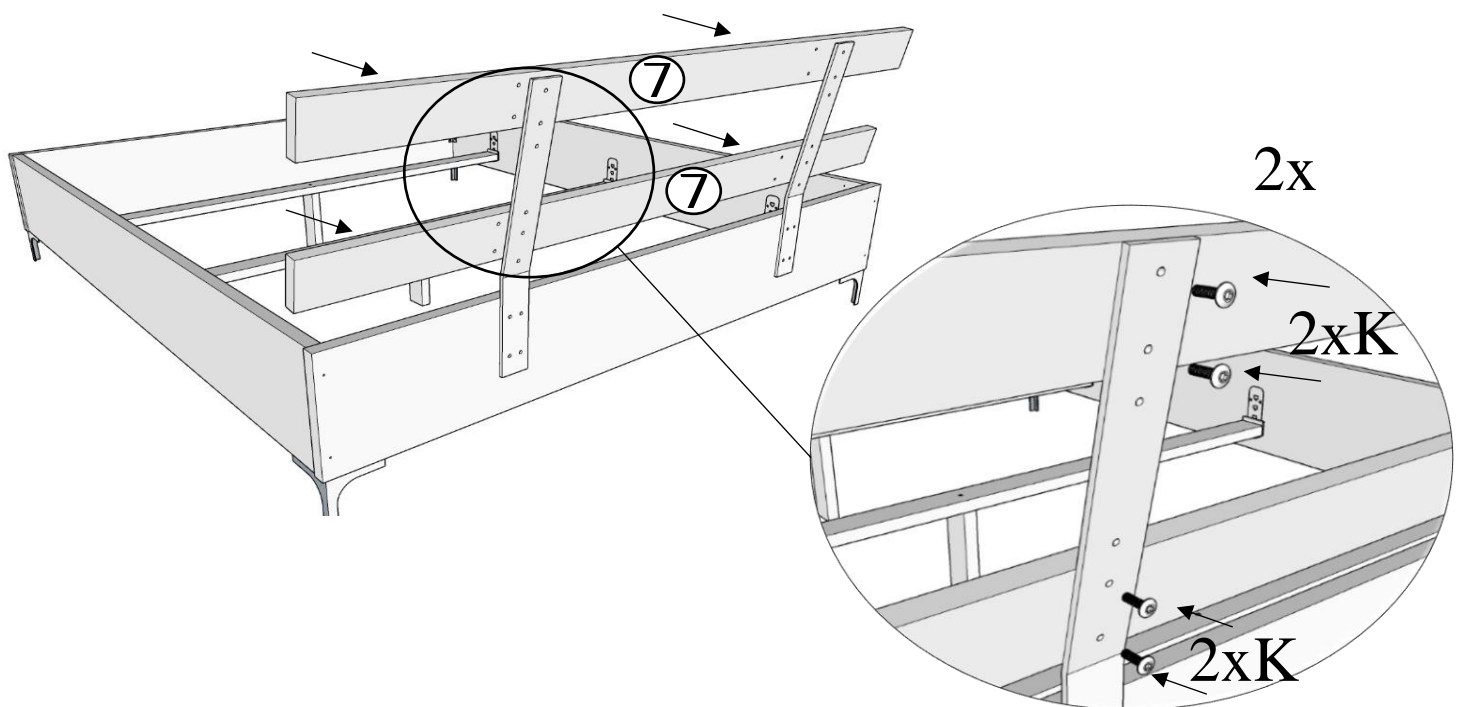
VII



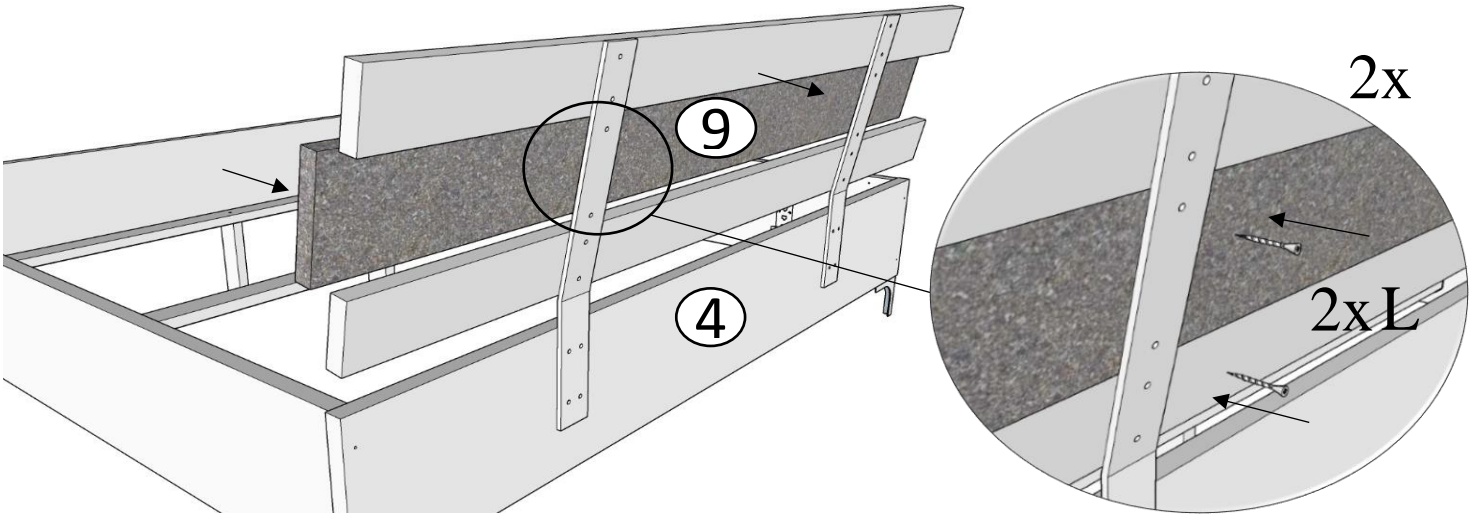
VIII



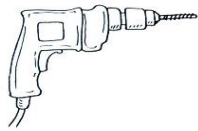
IX



X



XI



Ø 6mm

2x

