

TESLA

FRIDGE

RS0906H

User Manual

ENG

BiH/
CG

HR

SLO

SRB



Product images are for illustrative purposes only and may differ from the actual product.

SAFETY INFORMATION

In the interest of your safety and to ensure the correct use, before installing and first using the appliance, read this user manual carefully, including its hints and warnings. To avoid unnecessary mistakes and accidents, it is important to ensure that all people using the appliance are thoroughly familiar with its operation and safety features. Save these instructions and make sure that they remain with the appliance if it is moved or sold, so that everyone using it through its life will be properly informed on appliance use and safety.

For the safety of life and property keep to the precautions of these user instructions as the manufacturer is not responsible for damages caused by omission.

Children and vulnerable people safety

- This appliance can be used by children aged of 8 years and above and persons with reduced physical, sensory or mental capabilities, or lack of experience and knowledge if they have supervision or have been given instructions concerning the use of the appliance in a safe way and understand the hazards involved.
- Children aged from 3 to 8 years are allowed to load and unload this appliance.
- Children should be supervised to ensure that they do not play with the appliance.
- Cleaning and user maintenance should not be done by children unless they are aged from 8 years and above and supervised.
- Keep all packaging well away from children. There is risk of suffocation.
- If you are discarding the appliance pull the plug out of the socket, cut the connection cable (as close to the appliance as you can) and remove the door to prevent

playing children from suffering electric shock or closing themselves in.

- If this appliance features a magnetic door seal to replace an older appliance having a spring lock (latch) on the door or lid, be sure to make that spring lock unusable before you discard the old appliance. This will prevent it from becoming a death trap for a child.

General safety

Keep ventilation openings, in the appliance enclosure or in the built-in structure, clear of obstruction.

Do not use mechanical devices or other means to accelerate the defrosting process, other than those recommended by the manufacturer.

Do not damage the refrigerant circuit.

Do not use other electrical appliances (such as ice cream makers) inside of refrigerating appliances, unless they are approved for this purpose by the manufacture.

Do not touch the light bulb if it has been on for a long period of time because it could be very hot.¹

When positioning the appliance, ensure the supply cord is not trapped or damaged.

Do not locate multiple portable socket-outlets or portable power suppliers at the rear of the appliance.

- Do not store explosive substances such as aerosol cans with a flammable propellant in this appliance.
- The refrigerant isobutene (R600a) is contained within the refrigerant circuit of the appliance, a natural gas with a high level of environmental compatibility, which is nevertheless flammable.
- During transportation and installation of the appliance, be certain that none of the components of the refrigerant circuit become damaged.

- avoid open flames and sources of ignition
- thoroughly ventilate the room in which the appliance is situated
- It is dangerous to alter the specifications or modify this product in any way. Any damage to the cord may cause a short circuit, fire and/or electric shock.
- This appliance is intended to be used in a household and similar applications such as
 - staff kitchen areas in shops, offices and other working environments;
 - farm houses and by clients in hotels, motels and other residential type environments;
 - bed and breakfast type environments;
 - catering and similar non-retail applications.

Any electrical components (plug, power cord, compressor and etc.) must be replaced by a certified service agent or qualified service personnel.

The light bulb supplied with this appliance is a "special use light bulb" usable only with the appliance supplied. This "special use lamp" is not usable for domestic lighting.¹

- Power cord must not be lengthened.
- Make sure that the power plug is not squashed or damaged by the back of the appliance. A squashed or damaged power plug may overheat and cause a fire.
- Make sure that you can come to the main plug of the appliance.
- Do not pull the main cable.
- If the power plug socket is loose, do not insert the power plug. There is a risk of electric shock or fire.
- You must not operate the appliance without the lamp.

- This appliance is heavy. Care should be taken when moving it.
- Do not remove nor touch items from the freezer compartment if your hands are damp/wet, as this could cause skin abrasions or frost/freezer burns.
- Avoid prolonged exposure of the appliance to direct sunlight.

Daily use

- Do not put hot things on the plastic parts in the appliance.
- Do not place food products directly against the rear wall.
- Frozen food must not be re-frozen once it has been thawed out.²
- Store pre-packed frozen food in accordance with the frozen food manufacture, s instructions.²
- Appliance, s manufactures storage recommendations should be strictly adhered to. Refer to relevant instructions.
- Do not place carbonated or fizzy drinks in the freezer compartment as it creates pressure on the container, which may cause it to explode, resulting in damage to the appliance.²
- Ice lollies can cause frost burns if consumed straight from the appliance.²

To avoid contamination of food, please respect the following instructions

- Opening the door for long periods can cause a significant increase of the temperature in the compartments of the appliance.
- Clean regularly surfaces that can come in contact with

food and accessible drainage systems.

- Clean water tanks if they have not been used for 48h; flush the water system connected to a water supply if water has not been drawn for 5 days.
- Store raw meat and fish in suitable containers in the refrigerator, so that it is not in contact with or drip onto other food.
- Two-star frozen-food compartments (if they are presented in the appliance) are suitable for storing pre-frozen food, storing or making ice-cream and making ice cubes.
- One-, two- and three -star compartments (if they are presented in the appliance) are not suitable for the freezing of fresh food.
- If the appliance is left empty for long periods, switch off, defrost, clean, dry and leave the door open to prevent mould developing within the appliance.

Care and cleaning

- Before maintenance, switch off the appliance and disconnect the main plug from the power socket.
- Do not clean the appliance with metal objects.
- Do not use sharp objects to remove frost from the appliance. Use a plastic scraper.²
- Regularly examine the drain in the refrigerator for defrosted water. If necessary, clean the drain. If the drain is blocked, water will collect at the bottom of the appliance.³

Installation

- For electrical connection carefully follow the instructions given in specific paragraphs.
- Unpack the appliance and check if there are damages

on it. Do not connect the appliance if it is damaged. Report possible damages immediately to the place you bought it. In that case retain packing.

- It is advisable to wait at least four hours before connecting the appliance to allow the oil to flow back in the compressor.
- Adequate air circulation should be provided around the appliance, lacking this leads to overheating. To achieve sufficient ventilation, follow the instructions relevant to installation.
- Wherever possible the spacers of the product should be against a wall to avoid touching or catching warm parts (compressor, con- denser) to prevent possible burn.
- The appliance must not be located close to radiators or cookers.
- Make sure that the main plug is accessible after the installation of the appliance.

Service

- Any electrical work required to do the servicing of the appliance should be carried out by a qualified electrician or competent person.
- This product must be serviced by an authorized Service Center, and only genuine spare parts must be used.

Energy saving

- Do not put hot food in the appliance;
- Do not pack food close together as this prevents air circulating;
- Make sure food does not touch the back of the compartment(s);
- If electricity goes off, do not open the door(s);

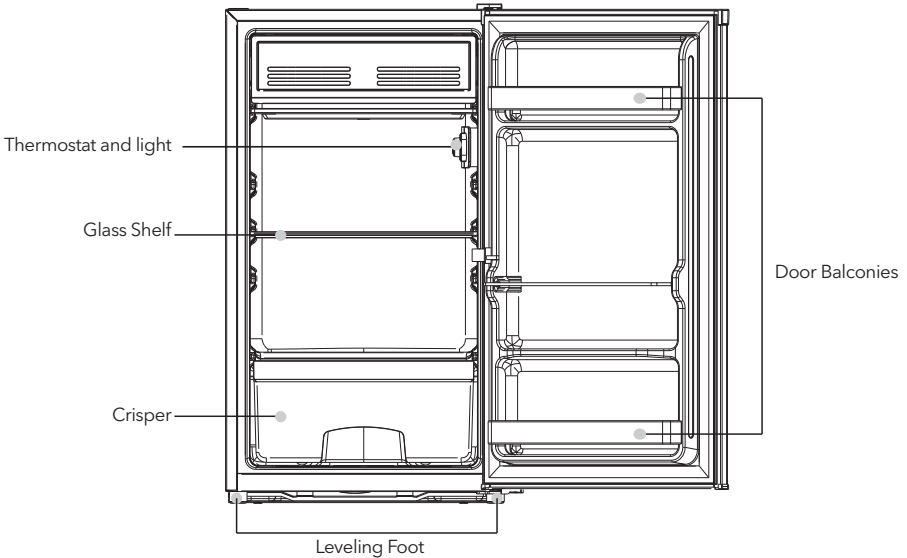
- Do not open the door(s) frequently;
- Do not keep the door(s) open for a long time;
- Do not set the thermostat on exceeding cold temperatures;
- All accessories, such as drawers, shelves balconies, should be kept there for lower energy consumption.

¹ If there is a light in the compartment.

² If there is a freezer compartment.

³ If there is a fresh-food storage compartment.

OVERVIEW

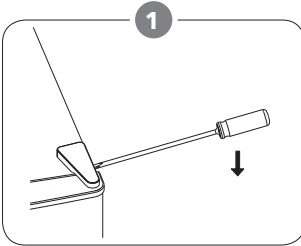


Note: Picture is for reference only.

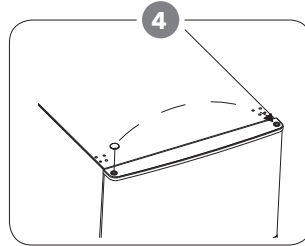
REVERSE DOOR

Tool required: Philips screwdriver, Flat bladed screwdriver, Hexagonal spanner.

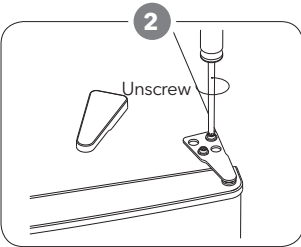
- Ensure the unit is unplugged and empty.
- To take the door off, it is necessary to tilt the unit backwards. You should rest the unit on something solid so that it will not slip during the door reversing process.
- All parts removed must be saved to do the reinstallation of the door.
- Do not lay the unit flat as this may damage the coolant system.
- It's better that 2 people handle the unit during assembly.



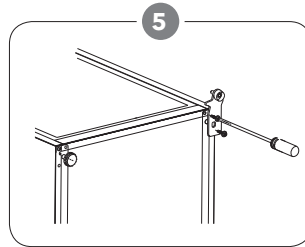
Remove the top right hinge cover.



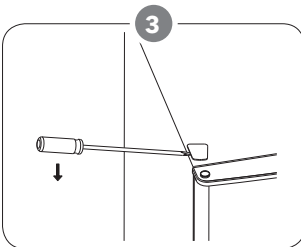
Move the core cover from left side to right side. And then lift the upper door and place it on a padded surface to prevent it from scratching.



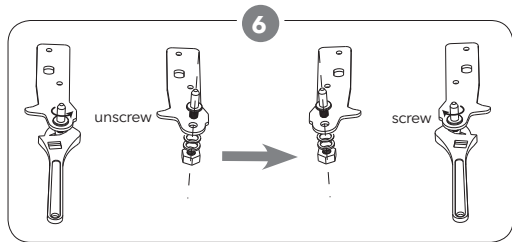
Undo the screws. Then remove the hinge bracket.



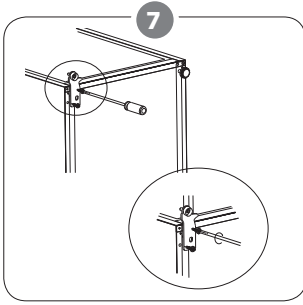
Unscrew bottom hinge. Then remove the adjustable feet from another side.



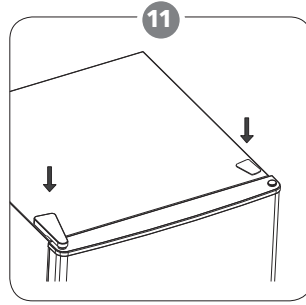
Remove the top left screw cover.



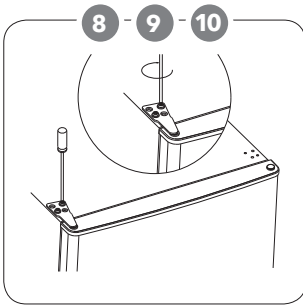
Unscrew and remove the bottom hinge pin with flat screw drivers, turn the bracket over and replace the pin.



Refit the bracket fitting the bottom hinge pin.
Replace the adjustable foot.



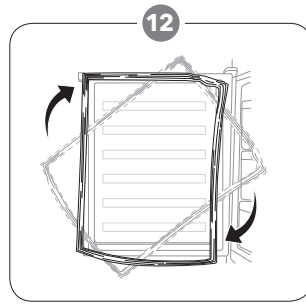
Put the hinge cover and the screw cover back.



8. Place the door back on. Ensure the door is aligned horizontally and vertically so that the seals are closed on all sides before finally tightening the top hinge.

9. Insert the hinge bracket and screw it to the top of the unit.

10. Use a spanner to tighten it if necessary.

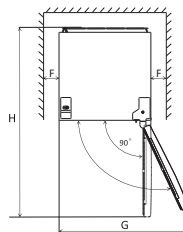
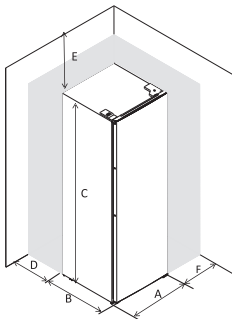


Detach the Fridge and the Freezer door gaskets and then attach them after rotating.

INSTALLATION

Space Requirement

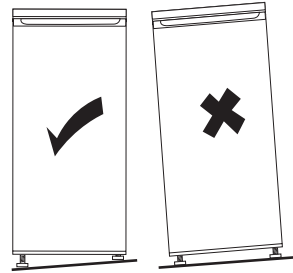
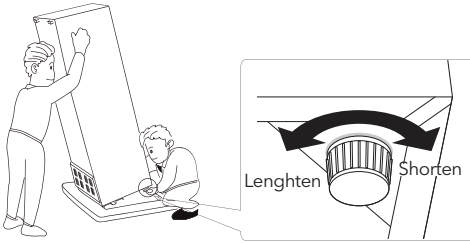
- Keep enough space of door open.



A	480
B	450
C	850
D	min=50
E	min=50
F	min=50
G	960
H	930

Levelling the unit

To do this adjust the two levelling feet at front of the unit. If the unit is not level, the doors and magnetic seal alignments will not be covered properly.



Positioning

Install this appliance at a location where the ambient temperature corresponds to the climate class indicated on the rating plate of the appliance: For refrigerating appliances with climate class:

- extended temperate: this refrigerating appliance is intended to be used at ambient temperatures ranging from 10 °C to 32 °C (SN);
- temperate: this refrigerating appliance is intended to be used at ambient temperatures ranging from 16 °C to 32 °C (N);
- subtropical: this refrigerating appliance is intended to be used at ambient temperatures ranging from 16 °C to 38 °C (ST);
- tropical: this refrigerating appliance is intended to be used at ambient temperatures ranging from 16 °C to 43 °C (T);

Location

The appliance should be installed well away from sources of heat such as radiators, boilers, direct sunlight etc. Ensure that air can circulate freely around the back of the cabinet to ensure best performance. If the appliance is positioned below an overhanging wall unit, the minimum distance between the top of the cabinet and the wall unit must be at least 50 mm. Ideally, however,

the appliance should not be positioned below overhanging wall units. Accurate leveling is ensured by one or more adjustable feet at the base of the cabinet.

This refrigerating appliance is not intended to be used as a built-in appliance.

WARNING!

It must be possible to disconnect the appliance from the mains power supply; the plug must therefore be easily accessible after installation.

Electrical connection

Before plugging in, ensure that the voltage and frequency shown on the rating plate correspond to your domestic power supply. The appliance must be grounded. The power supply cable plug is provided with a contact for this purpose. If the domestic power supply socket is not grounded, connect the appliance to a separate grounder in compliance with current regulations, consulting a qualified electrician.

The manufacturer declines all responsibility if the above safety precautions are not observed. This appliance complies with the E.E.C. Directives.

DAILY USE

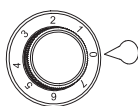
First use

Cleaning the interior

Before using the appliance for the first time, wash the interior and all internal accessories with lukewarm water and some neutral soap so as to remove the typical smell of a brand new product, then dry thoroughly

IMPORTANT! Do not use detergents or abrasive powders, as these will damage the finish.

Temperature Setting

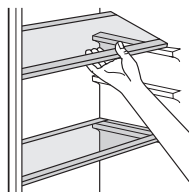


- Plug on your appliance. The internal temperature is controlled by a thermostat. There are 8 settings. 1 is warmest setting, 7 is the coldest setting and 0 is to turn off the appliance.
- The appliance may not operate at the correct temperature if it is in a particularly hot or if you open the door often.

Daily use

Movable shelf

The shelf is able to be moved to suitable positions.



Positioning the door balconies

In order to storage food or beverage with different size, the door balconies can be placed at different height. Follow below process to adjust the shelves.

- Step 1. pull the balcony to be free.
- Step 2. Select suitable position and press the balcony to two convex plates until it is totally blocked.

Vegetable Drawer

The drawer is suitable for storing fruit and vegetables. It can be pull out freely.

Thawing

Deep-frozen or frozen food, prior to be used, can be thawed in a fridge compartment or at room temperature. Place the frozen food in a dish or bowl to avoid the flowing of condensate water when thaw it in compartment.

Helpful hints and tips

Hints for fresh food refrigeration

To obtain the best performance:

- Do not store warm food or evaporating liquids in the refrigerator
- Do cover or wrap the food, particularly if it has a strong flavor
- Position food so that air can circulate freely around it

Hints for refrigeration

Useful hints:

- Meat (all types): wrap in polythene bags and place on the glass shelves above the vegetable drawer.
- Cooked foods, cold dishes, etc...: these should be covered and may be placed on any shelf.
- Fruit and vegetables: these should be thoroughly cleaned and placed in the special drawer(s) provided.
- Butter and cheese: these should be placed in special airtight containers or wrapped in aluminum foil or polythene bags to exclude as much air as possible.
- Milk bottle: these should have a cap and should be stored in the balconies on the door.
- Bananas, potatoes, onions and garlic, if not packed, must not be kept in the fridge.

Cleaning

For hygienic reasons the appliance interior, including interior accessories, should be cleaned regularly.

! CAUTION!

The appliance may not be connected to the mains during cleaning. Danger of electrical shock! Before cleaning switch the appliance off and remove the plug from the mains, or switch off or turn out the

circuit breaker or fuse. Never clean the appliance with a steam cleaner. Moisture could accumulate in electrical components, danger of electrical shock! Hot vapors can lead to the damage of plastic parts. The appliance must be dry before it is placed back into service.

IMPORTANT! Ethereal oils and organic solvents can attack plastic parts, e.g. lemon juice or the juice from orange peel, butyric acid, cleanser that contain acetic acid.

- Do not allow such substances to come into contact the appliance parts.
- Do not use any abrasive cleaners
- Remove the food from the freezer. Store them in a cool place, well covered.
- Switch the appliance off and remove the plug from the mains, or switch off the circuit breaker or fuse.
- Clean the appliance and the interior accessories with a cloth and lukewarm water. After cleaning wipe with fresh water and rub dry.
- Accumulation of dust at the condenser increases energy consumption. For this reason carefully clean the condenser at the back of the appliance once a year with a soft brush or a vacuum cleaner¹
- After everything is dry place appliance back into service.

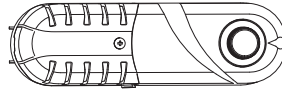
Replace the lamp

⚠ CAUTION!

Before replacing the lamp, shall disconnect the appliance from mains power supply.

Lamp specification is listed in rating label. Follow below process to replace the lamp:

1. Set the temperature regulation knob at number "0" to switch off the appliance.
2. Unplug the appliance to make sure the appliance is disconnected from main power supply.
3. Remove the screw of the lamp cover.
4. Remove the lamp cover out by a flat screw driver.
5. Unscrew the lamp by two fingers.
6. Fit new lamp according to the opposite direction, then replace the lamp cover.
7. Plug in the appliance and regulate the knob to right position.



Defrosting

The evaporator, however, will become progressively covered with frost. This should be removed. Never use sharp metal tools to scrape off frost from the evaporator as you could damage it. However, when the ice becomes very thick on the evaporator, complete defrosting should be carried out as follows:

- pull out the plug from the socket;
- remove all stored food, wrap it in several layers of newspaper and put it in a cool place;
- keep the door open, and placing a basin underneath the appliance to collect the defrost water;
- when defrosting is completed, dry the interior thoroughly replace the plug in the power socket to run the appliance again.

1) If the condenser is at the back of appliance.

TROUBLESHOOTING

! CAUTION!



Before troubleshooting, disconnect the power supply. Only a qualified electrician of competent person must do the troubleshooting that is not in this manual.


IMPORTANT! There are some sounds during normal use (compressor, refrigerant circulation).

Problem	Possible cause	Solution
Appliance does not work	Temperature regulation knob is set at number "0".	Set the knob at other number to switch on the appliance.
	Power plug is not plugged in or is loose	Insert power plug.
	Fuse has blown or is defective	Check fuse, replace if necessary.
	Socket is defective	Socket malfunctions are to be corrected by an electrician.
The food is too warm.	Temperature is not properly adjusted.	Please look in the initial Temperature Setting section.
	Door was open for an extended period.	Open the door only as long as necessary.
	A large quantity of warm food was placed in the appliance within the last 24 hours.	Turn the temperature regulation to a colder setting temporarily.
	The appliance is near a heat source.	Please look in the installation location section.
Appliance cools too much	Temperature is set too cold.	Turn the temperature regulation knob to a warmer setting temporarily.
Unusual noises	Appliance is not level.	Re-adjust the feet.
	The appliance is touching the wall or other objects.	Move the appliance slightly.
	A component, e.g. a pipe, on the rear of the appliance is touching another part of the appliance or the wall.	If necessary, carefully bend the component out of the way.

If the malfunction shows again, contact the Service Center.

Environment Protection

 This appliance does not contain gasses which could damage the ozone layer, in either its refrigerant circuit or insulation materials. The appliance shall not be discarded together with the urban refuse and rubbish. The insulation foam contains flammable gases: the appliance shall be disposed according to the appliance regulations which can be obtained from your local authorities. Avoid damaging the cooling unit, especially the heat exchanger. The materials used on this appliance marked by the  symbol are recyclable.

 The symbol on the product or on its packaging indicates that this product may not be treated as household waste. Instead it should be taken to the appropriate collection point for the recycling of electrical and electronic equipment. By ensuring this product is disposed of correctly, you will help prevent potential negative consequences to the environment and human health, which could otherwise be caused by inappropriate waste handling of this product. For more detailed information about recycling of this product, please contact your local council, your household waste disposal service or the shop where you purchased the product.

Packaging materials

The materials with the symbol are recyclable. Dispose the packaging in a suitable collection container to recycle it.

Disposal of the appliance

1. Disconnect the mains plug from the mains socket.
2. Cut off the mains cable and discard it.

**WARNING!**

During using, service and disposal the appliance, please pay attention to symbol similar as left side, which is located on rear of appliance (rear panel or compressor) and with yellow or orange color.

It's risk of fire warning symbol. There are flammable materials in refrigerant pipes and compressor.

Please be far away fire source during using, service and disposal.

PRODUCT INFORMATION SHEET

COMMISSION DELEGATED REGULATION (EU) 2019/2016
with regard to energy labelling of refrigerating appliances

Supplier's name or trademark: Tesla

Supplier's address: Tesla Electronics, Litjaska 47, 1000 Ljubljana, SI

Model identifier: RS0906H

Type of refrigerating appliance:

Low-noise appliance:	No	Design type:	freestanding
Wine storage appliance:	No	Other refrigerating appliance:	No

General product parameters:

Parameter	Value	Parameter	Value
Overall dimensions (millimetre)	Height	850	Total volume (dm ³ or l)
	Width	480	
	Depth	450	
EEL	125	Energy efficiency class	F
Airborne acoustical noise emissions (dB(A) re 1 pW)	39	Airborne acoustical noise emission class	C
Annual energy consumption (kWh/a)	107	Climate class:	temperate, subtropical
Minimum ambient temperature (°C), for which the refrigerating appliance is suitable	16	Maximum ambient temperature (°C), for which the refrigerating appliance is suitable	38
Winter setting	No		

Compartment Parameters:

Compartment type	Compartment parameters and values				
	Compartment volume (dm ³ or l)	Recommended temperature setting for optimised food storage (°C) These settings shall not contradict the storage conditions set out in Annex IV, Table 3	Freezing capacity (kg/24h)	Defrosting type (auto-defrost=A, manual defrost=M)	
Pantry	No	-	-	-	
Wine storage	No	-	-	-	
Cellar	No	-	-	-	
Fresh food	Yes	90,0	-	M	
Chill	No	-	-	-	

0-star or icemaking	No	-	-	-	-
1-star	No	-	-	-	-
2-star	No	-	-	-	-
3-star	No	-	-	-	-
4-star	No	-	-	-	-
2-star section	No	-	-	-	-
Variable temperature compartment	-	-	-	-	-
For 4-star compartments					
Fast freeze facility			No		
Light source parameters:					
Type of light source			LED		
Energy efficiency class			-		
Minimum duration of the guarantee offered by the manufacturer: 24 months					
Additional information:					
Weblink to the manufacturer's website, where the information in point4(a) Annex of Commission Regulation (EU) 2019/2019 is found: tesla.info					

Link to the EU EPREL database

The QR code on the energy label supplied with the appliance provides a web link to the registration of this appliance in the EU EPREL database. Keep the energy label for reference together with the user manual and all other documents provided with this appliance.

It is possible to find information related to the performance of the product in the EU EPREL database using the link <https://eprel.ec.europa.eu> and the model name and product number that you can find on the rating plate of the appliance.

For more detailed information about the energy label, visit www.theenergylabel.eu.

EU DECLARATION OF CONFORMITY

We, Comtrade Distribution d.o.o. Beograd, Bulevar Zorana Đinđića 125i, 11 000 Belgrade, Serbia, hereby declare that the following refrigerator products listed below to which this declaration relates

Name of manufacturer **Tesla/Comtrade Distribution d.o.o. Beograd**

Contact information of the manufacturer **Bulevar Zorana Đinđića 125i
11000 Belgrade, Serbia**

Description of the appliance:

Tesla Code
RS0880H
RS0906H
RC2600H
RB5210FHX
RC2600HX
RB4300FHX
RB4300FHB
RM4700FHB
RU1700H
RI2500H
RM3400FHX1

are in conformity with the following standards:

The construction of the appliances are in compliance with EU regulations and in accordance with the following harmonized standards:

- **LVD**

Directive 2014/35/EU
EN 60335-1:2012
EN 60335-1:2012/A11:2014
EN 60335-1:2012/A13:2017
EN 60335-2-24:2010
EN 60335-2-24:2010/A1:2019
EN 60335-1:2012/A2:2019
EN 60335-2-24:2010/A2:2019;
EN 60335-1:2012/A1:2019
EN 60335-1:2012/A14:2019;
EN 62233:2008

- **EMC**

Directive 2014/30/EU
EN 61000-3-3:2013
EN 55014-1:2017
EN 55014-2:2015
EN IEC 61000-3-2:2019
EN 61000-3-3:2013/A1:2019

- **RoHS**

ROHS directive 2011/65/EU and
its amendment (EU)2015/863 on submitted samples
EN 50581:2012
EN 63000:2018

- **ErP**

(EU)2017/1369

2009/125/EC

EN 62552-1:2020

EN 62552-2:2020

EN 62552-3:2020

(EU) 2019/2019, (EU) 2019/2016,

(EU) 2021/340, (EU) 2021/341

EN 60704-2-14:2013

EN 60704-1:2010

EN 60704-1:2010/A11:2012

This declaration of conformity is issued under the sole responsibility of the manufacturer.

Date: 2022.04.13 Belgrade, Serbia

SIGNATURE & CHOP

NAME: Nebojša Uskoković

POSITION: General Manager



BEZBJEDONOSNA UPUTSTVA

Radi sopstvene bezbjednosti obezbijedite sigurnu upotrebu, prije instalacije i prve upotrebe uređaja, pročitajte ovo korisničko uputstvo, uključujući i savjete i upozorenja. Da biste izbjegli nepotrebne greške i nezgode, važno je da se postarate da sve osobe koje koriste uređaj budu detaljno upoznate s njegovim operacijama i bezbjednosnim funkcijama. Sačuvajte ova uputstva i pobrinite se da budu u sklopu uređaja ako bude premješten ili prodat, kako bi svako, ko ga koristi tokom svog života bio upoznat sa pravilnom upotrebom i bezbjednošću uređaja. Imajte na umu ovo korisničko uputstvo radi svoje lične sigurnosti i sigurnosti imovine, budući da proizvođač nije odgovoran za štetu učinjenu propustima.

Bezbjednost djece i nesamostalnih osoba

- Ovaj uređaj mogu koristiti djeca starosti 8 ili više godina i osobe sa smanjenim fizičkim, čulnim ili mentalnim sposobnostima, ili manjkom iskustva i znanja ukoliko su pod nadzorom, ili su im data uputstva u vezi sa bezbjednom upotrebom uređaja, i svjesni su mogućeg rizika.
- Djeci uzrasta od 3 do 8 godina je dozvoljeno da stavljaju predmete u i uzimaju predmete iz ovog uređaja.
- Djeca bi trebalo da budu pod nadzorom, kako biste osigurali da se ne igraju uređajem.
- Čišćenjem i održavanjem ne bi trebalo da se bave djeca, osim ako nisu starosti 8 ili više godina i moraju biti pod obaveznim nadzorom.
- Svu ambalažu čuvajte van domašaja djece. Postoji opasnost od gušenja.

- Ukoliko ste odlučili da više ne koristite uređaj, prekinite napajanje uređaja strujom, presijecite kabal za napajanje (što je bliže moguće uređaju) i uklonite vrata, kako biste spriječili mogućnost da djeca, koja se igraju, pretrpe strujni udar ili se zatvore u uređaj.
- Ukoliko ovaj uređaj ima magnetnu gumu na vratima, a želite da njime zamijenite stariji uređaj, koji se zatvarao pomoću opruge na vratima ili poklopcu, onemogućite funkcionisanje zatvaranja starijeg uređaja pomoću opruge. Na ovaj način ćete spriječiti da uređaj postane smrtonosna zamka za dijete.

Opšta bezbjednost

Održavajte ventilacione otvore u kućištu frižidera ili ugradbenoj strukturi čistima od začepljenja.

Nemojte koristiti mehaničke uređaje ili druge naprave kako biste ubrzali proces odmrzavanja, osim proizvoda preporučenih od strane proizvođača uređaja.

Nemojte oštetiti sistem za hlađenje.

Nemojte stavljati druge električne uređaje (kao što su uređaji za pravljenje sladoleda) u uređaj za hlađenje, osim ako ih proizvođač nije odobrio u ovu svrhu.

Ne dirajte sijalicu ukoliko radi duže vremena, jer može biti veoma vruća.¹

Prilikom postavljanja uređaja, uvjerite se da ništa ne pritiska priključni kabal, kao i da kabal nije oštećen.

Ne postavljajte višestruke prenosive utičnice ili prenosivo napajanje iza uređaja.

- Nemojte čuvati eksplozivne supstance, kao što su ambalaže sprejeva sa zapaljivim gasom u ovom uređaju.
- Supstanca za hlađenje, izobutan (R600a), se nalazi u sistemu za hlađenje uređaja, to je prirodni gas s visokim

nivoom ekološke kompatibilnosti, ali izuzetno zapaljiv.

- Pobrinite se da tokom transporta ili postavljanja uređaja ne bude oštećena nijedna komponenta sistema za hlađenje uređaja.
 - izbjegavajte otvoren plamen i izvore zapaljivosti
 - temeljno provjetrite prostoriju, u kojoj se nalazi uređaj
- Opasno je mijenjati specifikacije ili modifikovati proizvod na bilo koji način. Bilo kakvo oštećenje kabla može prouzrokovati kratak spoj, požar i/ili strujni udar.
- Ovaj uređaj je namijenjen za upotrebu u domaćinstvima i za slične primjene, kao što su
 - prostori za zaposlene u kuhinji, u prodavnicama, kancelarije i druga radna okruženja;
 - poljoprivredna domaćinstva i od strane hotelskih i motelskih gostiju, kao i drugih vrsta ovakvih objekata;
 - objekti koji pružaju uslugu noćenja sa doručkom;
 - katering i slične neprodajne namjene.

Bilo koju električnu komponentu (utikač, kabal za napajanje, kompresor itd.) mora zamijeniti ovlašteni serviser ili kvalifikovano osoblje.

Sijalica, dostavljena sa ovim uređajem, je "sijalica za specijalnu namjenu" i može se koristiti samo za uređaj uz koji je dostavljena. Ova "sijalica za specijalnu namjenu" se ne može koristiti za kućno osvjetljenje.¹

- Kabal za napajanje se ne smije produžavati.
- Provjerite da li je utikač, na zadnjoj strani uređaja, zgnječen ili oštećen. Zgnječen ili oštećen utikač može dovesti do pregrijavanja i izazvati požar.
- Pobrinite se da vam glavni utikač uređaja bude dostupan.
- Nemojte izvlačiti glavni kabal.
- Ukoliko utičnica nije fiksirana, nemojte priključivati

aparatus. Postoji rizik od strujnog udara ili vatre.

- Ne smijete raditi ništa na uređaju bez osvjetljenja.
- Uređaj je težak. Budite oprezni tokom pomjeranja uređaja.
- Nemojte uklanjati ili dodirivati elemente iz dijela za zamrzavanje ako su vam ruke vlažne/mokre, budući da to može prouzrokovati ogrebotine ili promrzline na koži.
- Izbjegavajte duže izlaganje aparata direktnoj sunčevoj svjetlosti.

Dnevna upotreba

- Ne stavljajte vruće stvari na plastične dijelove uređaja.
- Ne stavljate prehrambene proizvode uza zadnji zid.
- Zamrznuta hrana se ne smije ponovo zamrzavati nakon što se otopi.²
- Već zapakovanu zamrznutu hranu čuvajte u skladu sa instrukcijama proizvođača, u vezi sa zamrznutom hranom.²
- Striktno se pridržavajte preporuka proizvođača u pogledu držanja stvari u uređaju. Pridržavajte se relevantnih instrukcija.
- Ne stavljate gazirana pića u dio za zamrzavanje, budući da to stvara pritisak, koji može prouzrokovati pucanje ambalaže, što može dovesti do oštećenja uređaja.²
- Voćni sladoledi mogu izazvati promrzline ukoliko se konzumiraju odmah po uzimanju iz uređaja.²

Kako biste izbjegli kontaminiranje hrane, pratite sljedeća uputstva

- Držanje uređaja otvorenim tokom dugih vremenskih perioda može da dovede do značajnog rasta temperature unutar odjeljaka uređaja.
- Redovno čistite površine koje mogu da dođu u dodir sa hranom, kao i pristupačne dijelove odvodnog sistema.

- Očistite rezervoare za vodu ukoliko ih niste koristili tokom vremenskog perioda dužeg od 48 h; ukoliko tokom vremenskog perioda od 5 dana niste uzimali vodu iz uređaja, isperite sistem za protok vode vodom iz vodovodne mreže.
- Sirovo meso i ribu unutar frižidera držite u odgovarajućim posudama, kako ove namirnice ne bi došle u dodir sa ili kako ne bi kapale po ostaloj hrani.
- Odjeljci za smrznutu hranu označeni sa dvije zvjezdice (ukoliko postoje u okviru uređaja) pogodni su za držanje prethodno smrznute hrane, za držanje ili pravljenje sladoleda i za pravljenje kockica leda.
- Odjeljci označeni jednom, sa dvije i tri zvjezdice (ukoliko postoje u okviru uređaja) nisu pogodni za zamrzavanje svježe hrane.
- Ukoliko će uređaj biti prazan tokom dužeg vremenskog perioda, isključite ga, odledite, očistite i osušite, a zatim ostavite vrata uređaja otvorenim kako biste spriječili razvoj buđi u unutrašnjosti uređaja.

Održavanje i čišćenje

- Prije održavanja, isključite uređaj, ili prekinite dotok električne energije.
- Uređaj nemojte čistiti metalnim predmetima.
- Ne koristite oštre predmete, da bi uklonili led sa uređaja. Koristite plastična sredstva za struganje.²
- Redovno provjeravajte odvod za odleđenu vodu u frižideru. Ukoliko je potrebno, očistite odvod. Ukoliko je odvod blokiran, voda će se sakupljati na dnu uređaja³

Instalacija uređaja

- Za priključivanje na električnu mrežu, pažljivo pratite uputstva data u specifičnim dijelovima uputstva.

- Raspakujte uređaj i provjerite da li postoje na njemu oštećenja. Ne povezujte uređaj na struju, ukoliko je oštećen. Moguća oštećenja odmah prijavite u mjestu, gdje ste ga kupili. U tom slučaju zadržite ambalažu uređaja.
- Preporučuje se, da sačekate najmanje četiri sata prije nego što priključite uređaj, kako bi se ulje vratilo u kompresor.
- Potrebno je obezbijediti adekvatno strujanje zraka oko uređaja, nepostojanje ovoga može dovesti do pregrijavanja. Za postizanje odgovarajućeg protoka zraka, pratite uputstva potrebna za instalaciju uređaja.
- Gdje god je moguće, razmaknica mora biti postavljena između uređaja i zida, kako bi se izbjeglo dodirivanje ili hvatanje za vruće dijelove (kompresor, kondenzator) kako bi se izbjegle moguće opekotine.
- Uređaj ne smije biti postavljen blizu radijatora ili zamrzivača.
- Pobrinite se da bude obezbijeđen lak pristup glavnom utikaču i nakon postavljanja uređaja.

Servisiranje

- Bilo kakvo servisiranje uređaja, koje zahtjeva električne radove, treba da bude obavljen od strane kvalifikovanog električara ili kompetentne osobe.
- Samo ovlašteni centar za servisiranje može obaviti popravke na uređaju, i mogu se koristiti samo originalni rezervni dijelovi.

Ušteda energije

- Ne stavljate vruću hranu u uređaj;
- Ne pakujte svu hranu zajedno, budući da to sprječava cirkulaciju zraka;

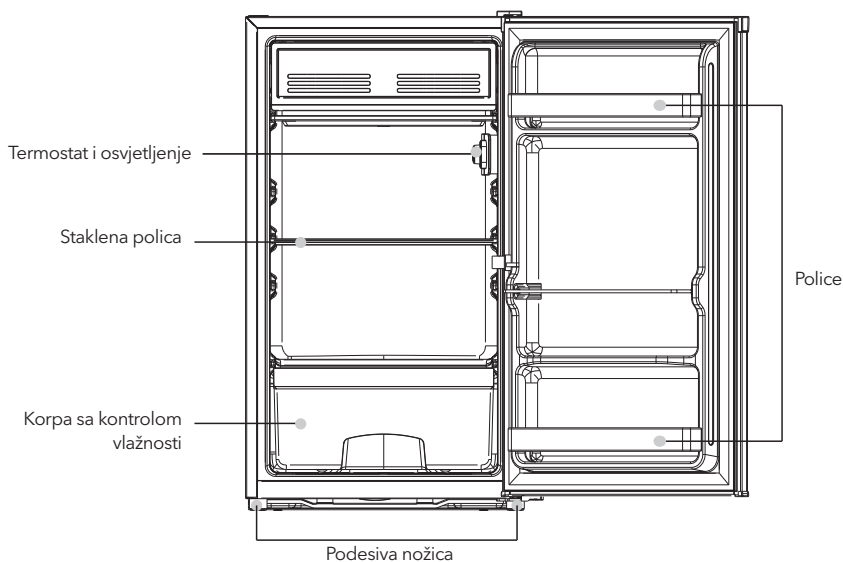
- Pobrinite se da hrana ne dotiče zadnji dio pregrade(a);
- Ukoliko nestane struje, ne otvarajte vrata;
- Ne otvarajte često vrata;
- Ne držite vrata otvorena drugo;
- Nemojte postavljati termostat na izuzetno niske temperature
- Potrebno je sve dodatne elemente, poput fioka, polica, polica u vratima uređaja, tamo držati u cilju smanjenja utroška energije.

¹ Ukoliko u uređaju postoji.

² Ukoliko postoji dio za zamrzavanje.

³ Ukoliko postoji dio za čuvanje svježih hrane

PREGLED

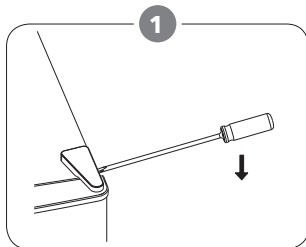


Ova ilustracija je samo okvirna, molimo vas da za detalje pogledajte svoj uređaj.

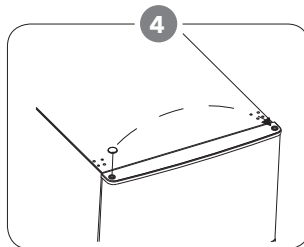
ZAMJENA SMJERA OTVARANJA VRATA

Potreban alat: Philips odvijač, ravni odvijač, šestougaoni ključ.

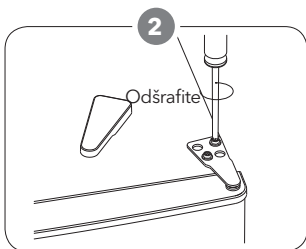
- Pobrinite se da uređaj bude isključen i prazan.
- Da biste skinuli vrata, potrebno je da uređaj nagnete unazad. Uređaj treba da bude postavljen na tvrdnu podlogu, kako se ne bi dogodilo da isklizne prilikom zamjene položaja vrata.
- Svi uklonjeni dijelovi moraju biti sačuvani radi ponovnog instaliranja vrata.
- Uređaj nemojte stavljati u horizontalan položaj, jer to može oštetiti sistem za hlađenje.
- Preporučuje se da dvije osobe učestvuju u montiranju.



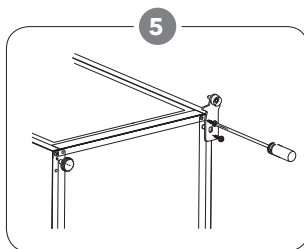
Uklonite gornji desni poklopac šarke.



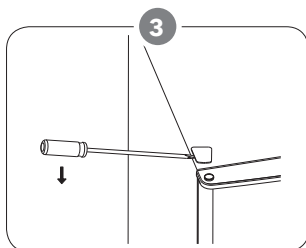
Pomjerite poklopac sa lijeva nadesno. I zatim podignite gornja vrata i odložite ih na meku podlogu da bi spriječili stvaranje ogrebotina.



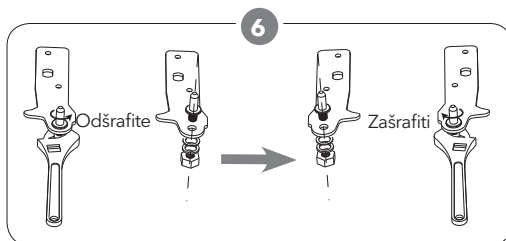
Odšarafite šarafe. Zatim uklonite podupirač šarke.



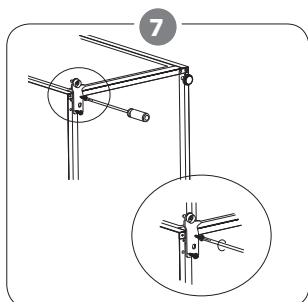
Odšarafite donju šarku. Zatim skinite nožice za podešavanje visine sa druge strane.



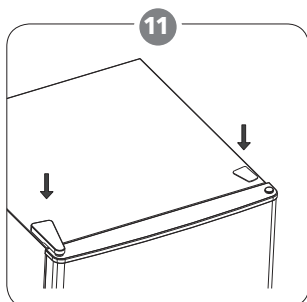
Uklonite gornji lijevi poklopac sa šarafa.



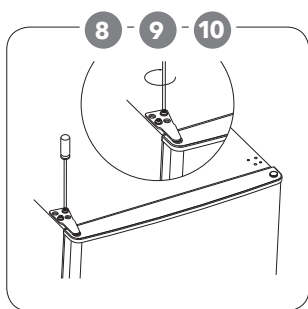
Odšarafite i skinite osovinu donje šarke pomoću ravnih odvijača, obrnite nosač i ponovo postavite osovinu.



Ponovo postavite nosač na osovinu donje šarke.
Ponovo postavite nožicu za podešavanje visine.



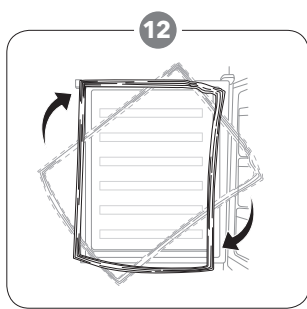
Ponovo postavite oblogu šarke i poklopac šarafa.



8. Ponovo postavite vrata. Prije nego što potpuno pričvrstite gornju šarku, postarajte se da vrata poravnate i po horizontalnoj i po vertikalnoj osi kako bi zaptivke nalegle sa svih strana.

9. Postavite nosač šarke i pričvrstite ga za gornji dio jedinice.

10. Ukoliko je potrebno, pričvrstite ključem.

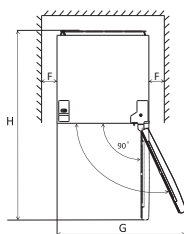
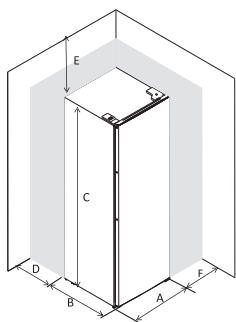


Uklonite zaptivke sa vrata frižidera i zamrzivača, a zatim ih zarotirajte i, nakon toga, ponovo postavite.

UGRADNJA UREĐAJA

Potrebe prostora

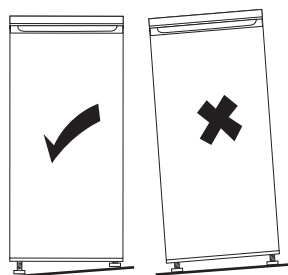
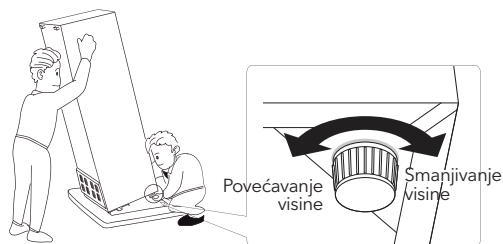
- Ostavite dovoljno mjesta za otvaranje vrata.



A	480
B	450
C	850
D	min=50
E	min=50
F	min=50
G	960
H	930

Nivelacija uređaja

Kako biste ovo uradili, podesite dvije podesne nožice s prednje strane uređaja. Ukoliko uređaj nije nivelisan, vrata i magnetna guma neće pravilno prijanjati.



Pozicioniranje

Postavite ovaj uređaj na mjesto čija sobna temperatura odgovara klimatskoj klasi navedenoj na pločici sa podacima o uređaju:

Kod uređaja za rashlađivanje sa sljedećim klimatskim klasama:

- prošireno umjerena: ovaj uređaj za rashlađivanje je namijenjen za upotrebu na sobnim temperaturama koje se kreću u opsegu od 10°C do 32°C (SN);
- umjerena: ovaj uređaj za rashlađivanje je namijenjen za upotrebu na sobnim temperaturama koje se kreću u opsegu od 16°C do 32°C (N);
- suptropska: ovaj uređaj za rashlađivanje je namijenjen za upotrebu na sobnim temperaturama koje se kreću u opsegu od 16°C do 38°C (ST);
- tropska: ovaj uređaj za rashlađivanje je namijenjen za upotrebu na sobnim temperaturama koje se kreću u opsegu od 16°C do 43°C (T);

Lokacija

Uređaj treba da bude postavljen daleko od izvora toplote, kao što su radijatori, bojleri, izlaganje direktnim sunčevim zracima itd. Postarajte se da zrak slobodno cirkuliše oko zadnjeg dijela frižidera, kako biste osigurali najbolju učinak.

Ukoliko je uređaj postavljen ispod visećeg dijela, minimalni razmak između vrha uređaja i visećeg dijela treba da bude bar 50 mm. Idealno bi bilo da uređaj ne bude postavljen ispod visećeg dijela. Odgovarajuća nivelacija se postiže uz pomoć jedne ili više podesnih nožica, u zavisnosti od uređaja.

Nije predviđeno da se ovaj uređaj za rashlađivanje upotrebljava kao ugradbeni uređaj;

⚠ UPOZORENJE!

Prekidanje napajanja uređaja mora biti omogućeno; iz tog razloga, utičnica mora biti dostupna nakon postavljanja uređaja.

Povezivanje na struju

Prije uključivanja, provjerite da napon i frekvencija prikazana na tablici specifikacije odgovaraju naponu struje domaćinstva. Uređaj mora biti uzemljen. Kabal za napajanje električnom energijom je opremljen kontaktom za ovu namjenu. Ukoliko utičnica u domaćinstvu nema uzemljenje, priključite uređaj na izdvojeno uzemljenje u skladu sa trenutnim propisima; konsultujte se sa kvalifikovanim električarem. Proizvođač ne snosi nikakvu odgovornost, ukoliko gore navedene preventivne mjere nisu ispoštovane. Ovaj uređaj ispunjava uslove EEC direktiva.

SVAKODNEVNA UPOTREBA

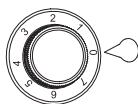
Prva upotreba

Čišćenje unutrašnjosti uređaja

Prije korištenja uređaja po prvi put, očistite unutrašnjost i sve unutrašnje elemente mlakom vodom i neutralnim sapunom, kako biste uklonili tipičan miris novog proizvoda, a zatim ga dobro osušite

VAŽNO! Ne koristite deterdžente ili abrazivna sredstva, budući da mogu da oštete površinu.

Podešavanje temperature

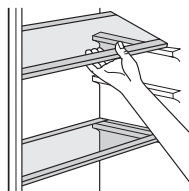


- Uključite svoj uređaj. Unutrašnju temperaturu reguliše termostat. Postoji 8 nivoa temperature, 1 je najtopliji nivo, 7 je najhladniji, i 0 znači da je uređaj isključen.
- Uređaj možda neće raditi na pravoj temperaturi, ako se nalazi u veoma toplom okruženju ili ako često otvarate vrata.

Svakodnevna upotreba

Police koje se mogu pomjerati

Zidovi frižidera imaju niz žljebova, tako da se police mogu podešavati po želji.



Pozicioniranje policu u vratima

Kako bi se omogućilo držanje hrane ili pića u ambalaži različitih dimenzija, police na vratima se mogu postavljati na različitim visinama. Da podesite police, pratite sljedeće korake:

- Korak 1: policu u vratima izvucite kako biste je izvadili.

- Korak 2: Odaberite odgovarajuću poziciju za policu i utisnite je u dvije konveksne pločice sve dok je potpuno ne zablokirate.

Fioka za povrće

Fioka je adekvatna za držanje voća i povrća. Može se potpuno izvuci.

Otapanje

Duboko zamrznuta ili zamrznuta hrana se, prije upotrebe, može otapati u odjeljku za rashlađivanje ili na sobnoj temperaturi. Kako biste spriječili prelivanje kondenzovane vode prilikom otapanja u odjeljku frižidera, smrznutu hranu stavite u tanjir ili posudu.

Korisni savjeti

Savjeti za čuvanje svježe hrane u frižideru

Kako biste dobili najbolji učinak:

- Ne čuvajte vruću hranu ili tečnosti koje isparavaju u frižideru
- Pokrijte ili uvijte hranu, naročito ako ima jak miris
- Rasporedite hranu tako da zrak može da slobodno cirkuliše oko nje.

Savjeti za čuvanje hrane u frižideru

Korisni savjeti:

- Meso (sve vrste): uvijte u polietilenske kese i stavite na staklene police iznad fioke za povrće.
- Radi sigurnosti, hranu na ovaj način čuvajte jedan dan, najviše dva.
- Kuhana hrana, hladna jela, itd....: treba ih pokriti i mogu se odložiti na bilo koju policu.
- Voće i povrće: treba da bude temeljno oprano i odloženo u fioke, namijenjene za njihovo čuvanje.
- puter i sir: treba da budu stavljeni u specijalne posude koje ne propuštaju zrak, ili zavijeni u aluminijumske folije ili polietilenske kese kako bi se uklonilo što više zraka.
- Boce s mlijekom/jogurtom: treba da budu zatvorene i da se čuvaju u policama na vratima.
- Banane, krompir, luk i bijeli luk, ukoliko nisu zapakovani, ne smiju biti čuvani u frižideru.

Čišćenje

Iz higijenskih razloga unutrašnjost uređaja, uključujući i unutrašnje elemente, treba čistiti redovno.

! OPREZI!

Uređaj ne smije biti povezan strujom tokom čišćenja. Postoji opasnost od strujnog udara! Prije čišćenja uređaja, isključite ga i prekinite dotok električne energije, ili isključite automatsku sklopku ili osigurač. Uređaj nikako ne čistite paročistačem. Vлага može da se nakupi u električnim komponentama, opasnost od strujnog udara! Vrela isparenja mogu dovesti do oštećenja plastičnih dijelova. Uređaj mora biti suh prije ponovne upotrebe.

VAŽNO! Eterična ulja i organski rastvarači mogu nagristi plastične dijelove, na primjer limunov sok, ili sok od kore narandže, karboksilne kiseline, sredstva za čišćenje koja sadrže sircetnu kiselinu

- Ne dozvolite da ovakve supstance dođu u kontakt sa dijelovima uređaja.
- Nemojte koristiti abrazivna sredstva za čišćenje
- Uklonite hranu iz zamrzivača. Hranu čuvajte na hladnom mjestu, i dobro je pokrijte.
- Isključite uređaj i prekinite dotok električne energije, ili isključite automatsku sklopku ili osigurač.
- Očistite uređaj i unutrašnje elemente tkaninom i mlakom vodom. Nakon čišćenja isperite čistom vodom i osušite krpom.
- Nagomilavanje prašine na kondenzatoru povećava utrošak energije. Zato je potrebno jednom godišnje mekom četkom ili usisivačem pažljivo očistiti kondenzator pozicioniran na poledini uređaja.¹
- Nakon što sve bude suho, ponovo uključite uređaj.

¹ Ukoliko je kondenzator pozicioniran na poledini uređaja.

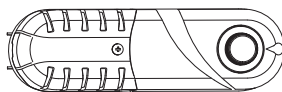
Mijenjanje sijalice

! OPREZI!

Prije zamjene sijalice, trebalo bi da prekinete napajanje uređaja strujom.

Specifikacije sijalice su navedene na etiketi. Pratite sljedeće korake, kako biste zamijenili sijalicu:

1. Postavite regulator temperature na "0" kako biste isključili uređaj.
2. Isključite aparat, kako biste bili sigurni, da uređaj nije povezan sa izvorom napajanja.
3. Uklonite šaraf sa štitnika za sijalicu.
4. Skinite poklopac lampice ravnim odvijačem.
5. Odšarafite lampicu uz pomoć dva prsta.
6. Postavite novu lampicu rotiranjem u suprotnom smjeru, a zatim ponovo postavite poklopac za lampicu.
7. Priključite uređaj na napajanje i okrenite točkić na odgovarajuću poziciju.



Otapanje zamrzivača

Vremenom će isparivač biti prekriven slojem leda. Njega treba ukloniti. Nikad ne koristite oštre metalne alate da biste skinuli led sa isparivača, budući da ga tako možete oštetiti. Međutim, ukoliko je sloj leda veoma debeo na isparivaču, proces odleđivanja treba obaviti na sljedeći način:

- prekinete napajanje uređaja strujom;
- uklonite svu hranu iz uređaja, umotajte je u nekoliko slojeva novina i odložite je na hladno mjesto;
- držite vrata otvorena, i postavite lavor ispod uređaja, kako bi se tu sakupljala odleđena voda;
- kada proces odleđivanja bude gotov, temeljno osušite

RJEŠAVANJE PROBLEMA

! OPREZ!


Prije rješavanja problema, prekinite napajanje električnom energijom. Samo kvalifikovani električar ili kompetentna osoba treba da riješi problem koji nije naveden u ovom uputstvu.



VAŽNO! Postoje određeni zvukovi, koje uređaj proizvodi tokom normalne upotrebe (kompresor, rashladni dio uređaja).

Problem	Mogući uzrok	Rješenje
Uređaj ne radi	Regulator temperature je postavljen na "0".	Postavite regulator temperature na neki drugi broj, kako biste uključili uređaj.
	Uređaj nije priključen na strujno kolo.	Utaknite utikač.
	Osigurač je ispao ili je neispravan.	Provjerite osigurač, zamijenite ga ako je potrebno.
	Utičnica je neispravna.	Kvarove utikača treba da popravi električar.
Hrana je pretopla.	Temperatura nije pravilno podešena.	Molimo vas, pogledajte odjeljak za osnovni nivo temperature.
	Vrata su bila otvorena duže vremena.	Držite vrata otvorenim samo onoliko, koliko je potrebno.
	Velika količina tople hrane je stavljena u uređaj u posljednja 24 sata.	Podesite regulator temperature na privremeno na nižu temperaturu.
	Uređaj je blizu izvora toplote.	Molimo vas, pogledajte odjeljak za lokaciju i instalaciju.
Uređaj previše hladi	Regulator temperature je podešen na hladno.	Podesite regulator temperature na privremeno na višu temperaturu
Neobični zvukovi	Uređaj nije nivelisan.	Ponovo podesite nožice.
	Uređaj dodiruje zid ili druge predmete.	Malo pomjerite uređaj.
	Dio, kao što je cjevovod na zadnjoj strani uređaja, dodiruje druge dijelove uređaja ili zid.	Ukoliko je potrebno, pažljivo uklonite dio koji predstavlja prepreku.

Ukoliko se kvar pojavi ponovo, kontaktirajte Servisni centar.

Zaštita životne sredine

 Ovaj uređaj ne sadrži gasove, koji mogu oštetiti ozonski omotač, ni u sistemu za hlađenje, ni u materijalima za izolaciju. Uređaj ne bi trebalo odlagati zajedno sa gradskim ili kućnim otpadom. Izolaciona pjena sadrži zapaljive gasove: uređaj bi trebalo odložiti u skladu sa propisima za uređaje, koje su izdale lokale vlasti. Izbjegavajte pravljenje oštećenja dijela za hlađenje, posebno dijela za razmjenu toplote. Materijali korišteni za ovaj uređaj, mogu se reciklirati ukoliko su označeni simbolom za reciklažu. ♻️

 Oznaka na proizvodu, ili njegovom pakovanju, ukazuje da ovaj proizvod ne smije biti tretiran kao  otpad nastao u domaćinstvu. Umjesto toga, treba ga ostaviti na odgovarajućem mjestu, na kojem se sakuplja električna i elektronska oprema. Osiguravanjem da je proizvod ispravno odložen, pomoćićete sprječavanju potencijalnih negativnih posljedica po životnu sredinu i ljudsko zdravlje, koje inače mogu biti uzrokovane nepravilnim odlaganjem otpada ovog uređaja. Za više detalja o recikliranju ovog proizvoda, molimo vas da kontaktirate svoju lokalni organ za zaštitu životne sredine, preduzeće za odlaganje komunalnog otpada ili prodavnicu, u kojoj ste kupili proizvod.

Materijali ambalaže

Materijali označeni ovim simbolom mogu se reciklirati. Ambalažu odložite u odgovarajući konterjner za prikupljanje otpada za reciklažu.

Odlaganje uređaja

1. Prekinite napajanje uređaja strujom.
2. Odsjecite kabal za napajanje i odložite ga.

**UPOZORENJE!**

Prilikom upotrebe, servisiranja i odlaganja uređaja, imajte u vidu oznaku žute ili narandžaste boje, sličnu onoj prikazanoj na slici lijevo, koja se nalazi na poledini uređaja (tabla ili kompresor na poledini uređaja). Ova oznaka predstavlja simbol rizika od požara. U cijevima za rashladno sredstvo i u kompresoru se nalaze zapaljivi materijali. Molimo Vas da tokom upotrebe, servisiranja i odlaganja, uređaj držite dalje od izvora vatre.

List sa informacijama o proizvodu

DELEGIRANA UREDBA KOMISIJE (EU) 2019/2016

Naziv ili zaštitni znak dobavljača: Tesla

Adresa dobavljača: Litijska 47, 1000 Ljubljana, SI

Identifikaciona oznaka modela: RS0906H

Tip uređaja za rashlađivanje:

Uređaj sa niskim nivoom buke:	Ne	Tip dizajna:	-
Uređaj za čuvanje vina:	Ne	Ostali uređaji za rashlađivanje:	Ne

Opći parametri proizvoda:

Parametar		Vrijednost	Parametar	Vrijednost
Ukupne dimenzije (u milimetrima)	Visina	850	Ukupna zapremina (dm ³ ili l)	90
	Širina	480		
	Dubina	450		
Indeks energetske efikasnosti – EEl	125	Klasa energetske efikasnosti	F	
Emisija buke u zraku (dB(A) re 1 pW)	39	Klasa emisije buke u zraku	C	
Godišnja potrošnja energije (kWh/a)	107	Klimatska klasa:	umjerena, suptropska	
Minimalna ambijentalna temperatura (°C), koja je odgovarajuća za ovaj uređaj za rashlađivanje	16	Maksimalna ambijentalna temperatura (°C), koja je odgovarajuća za ovaj uređaj za rashlađivanje	38	
Podešavanja za zimu	Ne			

Parametri odjeljaka:

Tip odjeljka	Parametri i vrijednosti odjeljka
--------------	----------------------------------

		Zapremina odjeljka (dm ³ ili l)	Preporučeno podešavanje temperature za optimizovano čuvanje hrane (°C) Ova podešavanja ne smiju biti u suprotnosti sa uslovima čuvanja definisanim u Aneksu IV, tabela 3	Kapacitet zamrzavanja (kg/24h)	Tip otapanja (automatsko otapanje=A, manuelno otapanje=M)	
Ostava	Ne	-	-	-	-	
Ostava za vino	Ne	-	-	-	-	
Podrum	Ne	-	-	-	-	
Svježa hrana	Da	90	-	-	M	
Rashlađivanje	Ne	-	-	-	-	
0 zvjezdica ili pravljenje leda	Ne	-	-	-	-	
1 zvjezdica	Ne	-	-	-	-	-
2 zvjezdice	Ne	-	-	-	-	-
3 zvjezdice	Ne	-	-	-	-	-
4 zvjezdice	Ne	-	-	-	-	-
Odjeljak sa 2 zvjezdice	Ne	-	-	-	-	-
Odjeljak sa varijabilnom temperaturom	-	-	-	-	-	-
Parametri izvora osvjetljenja:						
Tip izvora osvjetljenja				LED		
Klasa energetske efikasnosti				-		
Minimalno trajanje garancije koju daje proizvođač: 24 mjeseca						
Dodatne informacije:						
Link ka veb-sajtu proizvođača gdje se mogu pronaći informacije iz tačke 4(a) Aneksa Uredbe Komisije (EU) 2019/2019: tesla.info						

SIGURNOSNE UPUTE

Radi vlastite sigurnosti, osigurajte sigurnu uporabu, prije instaliranja i prve uporabe uređaja, pročitajte ovaj korisnički priručnik, uključujući savjete i upozorenja. Kako biste izbjegli nepotrebne pogreške i nezgode, važno je osigurati da su sve osobe koje koriste uređaj temeljito upoznate s njegovim radom i sigurnosnim funkcijama. Čuvajte ove upute i provjerite jesu li uključene u uređaj ako se premješta ili prodaje, kako bi svatko tko ga koristi tijekom svog života bio svjestan pravilnog korištenja i sigurnosti uređaja.

Imajte na umu ovaj korisnički priručnik radi vaše osobne sigurnosti i sigurnosti vaše imovine, jer proizvođač nije odgovoran za štetu uzrokovanu propustima.

Sigurnost djece i nesamostalnih osoba

- Ovaj uređaj mogu koristiti djeca u dobi od 8 godina ili starija i osobe sa smanjenim fizičkim, senzornim ili mentalnim sposobnostima ili nedostatkom iskustva i znanja ako su pod nadzorom ili su upućene u sigurnu upotrebu uređaja, te su svjesne mogućih rizika.
- Djeci u dobi od 3 do 8 godina dopušteno je stavljati predmete i uzimati predmete iz ovog uređaja.
- Djecu treba nadzirati kako bi se osiguralo da se ne igraju s uređajem.
- Čišćenje i održavanje ne smiju obavljati djeca osim ako nisu navršila 8 godina i moraju biti pod obveznim nadzorom.
- Čuvajte svu ambalažu izvan dohvata djece. Postoji opasnost od gušenja.
- Ako odlučite više ne koristiti uređaj, isključite uređaj, prerežite kabel za napajanje (što bliže aparatu) i uklonite vrata kako biste spriječili da djeca koja se igraju ne budu pogođena strujnim udarom ili zaključana u uređaju.

- Ako ovaj uređaj ima magnetsku gumu na vratima, a želite zamijeniti stariji uređaj koji je bio zatvoren oprugom na vratima ili poklopcu, onemogućite operaciju zatvaranja starijeg uređaja oprugom. To će spriječiti da uređaj postane smrtonosna zamka za dijete.

Opća sigurnost

Otvore za ventilaciju u kućištu hladnjaka ili instalacijskoj konstrukciji održavajte bez začepjenja.

Nemojte koristiti mehaničke ili druge uređaje za ubrzavanje procesa odmrzavanja, osim za proizvode koje preporučuje proizvođač uređaja.

Nemojte oštetiti rashladni sustav.

Ne stavljajte druge električne uređaje (kao što su aparati za sladoled) u hladnjak, osim ako ih proizvođač nije odobrio za tu svrhu.

Ne dirajte žarulju ako radi duže vrijeme, jer može biti jako vruća.¹

Prilikom postavljanja uređaja pazite da ništa ne pritišće spojni kabel i da kabel nije oštećen.

Ne postavljajte više prijenosnih utičnica ili prijenosnih izvora napajanja iza uređaja.

- Nemojte spremati eksplozivne tvari, kao što su zapaljivi raspršivači plina, u ovom uređaju.
- Rashladno sredstvo, izobutan (R600a), nalazi se u rashladnom sustavu uređaja, to je prirodni plin s visokom razinom ekološke kompatibilnosti, ali izuzetno zapaljiv.
- Uvjerite se da nijedna komponenta rashladnog sustava uređaja nije oštećena tijekom transporta ili instalacije.
 - izbjegavajte otvoreni plamen i izvore paljenja
 - temeljito prozračite prostoriju u kojoj se nalazi uređaj

- Opasno je mijenjati specifikacije ili modificirati proizvod na bilo koji način. Svako oštećenje kabela može uzrokovati kratki spoj, požar i/ili strujni udar.
- Ovaj uređaj je namijenjen za korištenje u kućanstvu i slične primjene, kao što su
 - prostori za zaposlenike u kuhinji, trgovinama, uredima i drugim radnim okruženjima;
 - poljoprivrednih domaćinstava i od strane hotelskih i motelskih gostiju, kao i drugih vrsta takvih objekata;
 - objekti koji pružaju uslugu noćenja s doručkom;
 - ugostiteljske i slične neprodajne svrhe.

Bilo koju električnu komponentu (utikač, kabel za napajanje, kompresor itd.) mora zamijeniti ovlašteni serviser ili kvalificirano osoblje.

Žarulja isporučena s ovim uređajem je "žarulja posebne namjene" i može se koristiti samo za uređaj s kojim se isporučuje. Ova "žarulja posebne namjene" ne može se koristiti za kućnu rasvjetu.¹

- Kabel za napajanje ne smije se produžiti.
- Provjerite je li utikač na stražnjoj strani uređaja zgnječen ili oštećen. Zgnječen ili oštećen utikač može uzrokovati njegovo pregrijavanje i požar.
- Provjerite je li vam glavni utikač uređaja dostupan.
- Nemojte izvlačiti glavni kabel.
- Ako utičnica nije fiksirana, nemojte spajati uređaj. Postoji opasnost od strujnog udara ili požara.
- Ne smijete raditi ništa na uređaju bez osvjjetljenja.
- Uređaj je težak. Budite oprezni pri pomicanju uređaja.
- Nemojte uklanjati niti dodirivati elemente iz odjeljka zamrzivača ako su vam ruke vlažne/mokre jer to može uzrokovati ogrebotine ili ozeblina na koži.
- Izbjegavajte dugotrajno izlaganje izravnoj sunčevoj svjetlosti.

Svakodnevna upotreba

- Ne stavljajte vruće predmete na plastične dijelove uređaja.
- Ne stavljajte prehrambene proizvode uz stražnji zid.
- Smrznuta hrana se ne smije ponovno zamrzavati nakon odmrzavanja.²
- Već zapakiranu smrznutu hranu čuvajte u skladu s uputama proizvođača, u vezi sa smrznutom hranom.²
- Strogo se pridržavajte preporuka proizvođača u vezi držanja stvari u uređaju. Slijedite relevantne upute.
- Ne stavljajte gazirana pića u pretinac zamrzivača, jer to stvara pritisak, što može uzrokovati pucanje ambalaže, što može oštetiti uređaj.²
- Voćni sladoledi mogu izazvati ozeblina ako se konzumiraju odmah nakon vađenja iz uređaja.²
- Kako biste izbjegli kontaminaciju hrane, slijedite ove upute
- Držanje uređaja otvorenim dulje vrijeme može dovesti do značajnog povećanja temperature unutar odjeljka uređaja.
- Redovito čistite površine koje mogu doći u dodir sa hranom, kao i pristupačne dijelove odvodnog sustava.
- Očistite spremnike za vodu ukoliko ih niste koristili tijekom vremenskog razdoblja dužeg od 48 h; ukoliko tijekom vremenskog razdoblja od 5 dana niste uzimali vodu iz uređaja, isperite sustav za protok vode vodom iz vodovodne mreže.
- Sirovo meso i ribu držite u hladnjaku u odgovarajućim posudama, kako te namirnice ne bi došle u dodir ili kapale na drugu hranu.
- Pretinci za smrznutu hranu označeni s dvije zvjezdice (ako su dostupni unutar uređaja) prikladni su za

držanje prethodno smrznute hrane, za držanje ili izradu sladoleda i za pravljenje kockica leda.

- Odjeljci označeni s jednom, dvije i tri zvjezdice (ako ih ima unutar uređaja) nisu prikladni za zamrzavanje svježih hrane.
- Ako će uređaj biti prazan dulje vrijeme, isključite ga, odmrznite, očistite i osušite, a zatim ostavite vrata uređaja otvorena kako biste spriječili rast plijesni u uređaju.

Održavanje i čišćenje

- Prije održavanja isključite uređaj ili prekinite napajanje.
- Nemojte čistiti uređaj metalnim predmetima.
- Nemojte koristiti oštre predmete za uklanjanje leda s uređaja. Koristite plastične strugače.²
- Redovito provjeravajte odvod za odmrzavanje u hladnjaku. Ako je potrebno, očistite odvod. Ako je odvod začepljen, voda će se skupiti na dnu uređaja³

Instalacija uređaja

- Za spajanje na električnu mrežu pažljivo slijedite upute dane u određenim dijelovima priručnika.
- Raspakirajte uređaj i provjerite postoje li na njemu oštećenja. Nemojte spajati uređaj na električnu mrežu ako je oštećen. Eventualne štete odmah prijavite na mjesto gdje ste ga kupili. U tom slučaju zadržite ambalažu uređaja.
- Preporuča se da pričekate najmanje četiri sata prije spajanja uređaja kako bi se ulje vratilo u kompresor.
- Potrebno je osigurati odgovarajući protok zraka oko uređaja, odsutnost toga može dovesti do pregrijavanja. Slijedite upute potrebne za instalaciju uređaja kako biste postigli pravilan protok zraka.

- Gdje god je moguće, između uređaja i zida mora se postaviti odstojnik kako bi se izbjeglo dodirivanje ili hvatanje vrućih dijelova (kompresor, kondenzator) kako bi se izbjegle moguće opekline.
- Uređaj se ne smije postavljati blizu radijatora ili peći.
- Provjerite je li omogućen lak pristup glavnom utikaču čak i nakon instaliranja uređaja.

Servisiranje

- Svako servisiranje uređaja, za koje su potrebni električni radovi, treba obaviti kvalificirani električar ili stručna osoba.
- Popravke na uređaju može obavljati samo ovlaštenu servis, a smiju se koristiti samo originalni rezervni dijelovi.

Ušteda energije

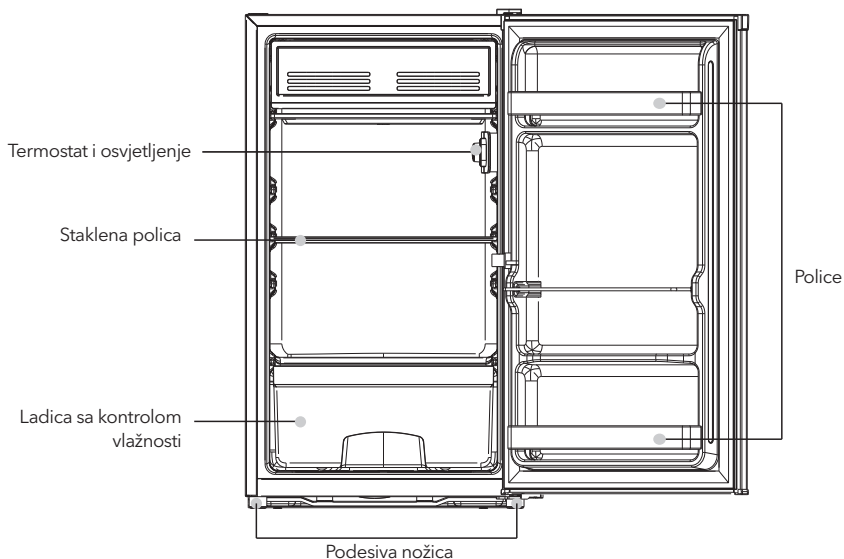
- Ne stavljajte vruću hranu u uređaj;
- Nemojte pakirati svu hranu zajedno, jer će to spriječiti cirkulaciju zraka;
- Pazite da hrana ne dodiruje stražnju stranu pretinca;
- Ako nestane struje, ne otvarajte vrata;
- Ne otvarajte često vrata;
- Ne držite vrata dugo otvorena;
- Ne postavljajte termostat na ekstremno niske temperature
- Sve dodatne elemente, kao što su ladice, police, police u vratima uređaja, tamo držati kako bi se smanjila potrošnja energije.

¹ Ukoliko u uređaju postoji.

² Ukoliko postoji dio za zamrzavanje.

³ Ukoliko postoji dio za čuvanje svježih hrane

PREGLED

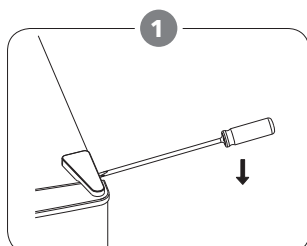


Ova ilustracija je samo indikativno, molimo pogledajte svoj uređaj za detalje.

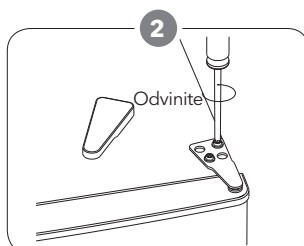
ZAMJENA SMJERA OTVARANJA VRATA

Potreban alat: Philips odvijač, ravni odvijač, šesterokutni ključ.

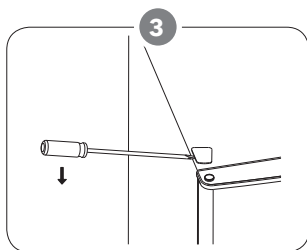
- Pobrinite se da uređaj bude isključen i prazan.
- Da biste skinuli vrata, potrebno je nagnuti uređaj unatrag. Uređaj treba biti postavljen na tvrdi podlogu, kako se ne bi dogodilo da isklizne prilikom zamjene položaja.
- Svi uklonjeni dijelovi moraju biti sačuvani zbog ponovnog instaliranja vrata.
- Uređaj nemojte stavljati u horizontalan položaj, jer to može oštetiti sustav za hlađenje.
- Preporučuje se da dvije osobe sudjeluju u montiranju.



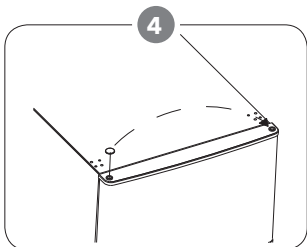
Uklonite gornji desni poklopac šarke.



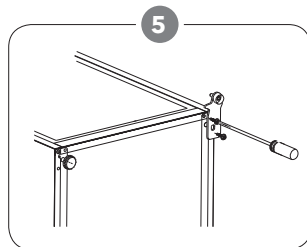
Odvinite vijke. Zatim uklonite podupirač šarke.



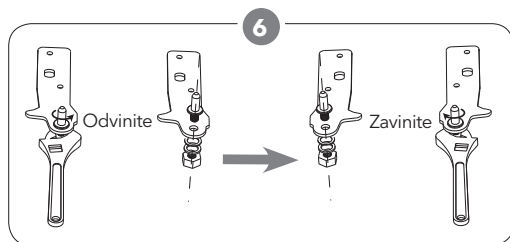
Uklonite gornji lijevi poklopac sa vijka.



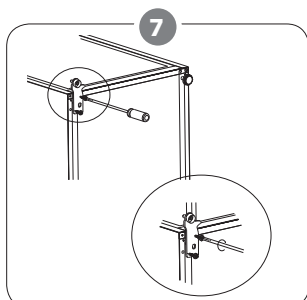
Pomaknite poklopac sa lijeva na desno. I zatim podignite gornja vrata i odložite ih na mekanu podlogu da bi spriječili stvaranje ogrebotina.



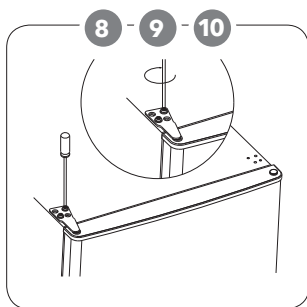
Odvinite donju šarku. Zatim skinite nožice za podešavanje visine sa druge strane.



Odvinite i skinite osovinu donje šarke pomoću ravnih odvijača, obrnite nosač i ponovo postavite osovinu.



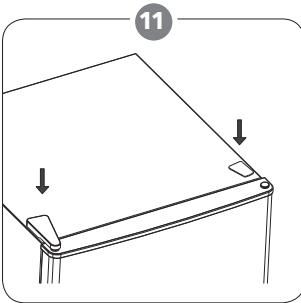
Ponovo postavite nosač na osovinu donje šarke. Ponovo postavite nožicu za podešavanje visine.



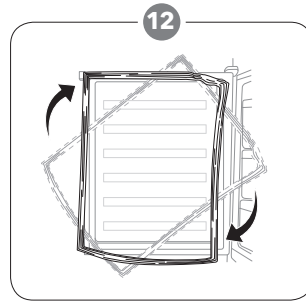
8. Ponovo postavite vrata. Prije nego što potpuno pričvrstite gornju šarku, pobrinite se da vrata poravnate i po horizontalnoj i po vertikalnoj osi kako bi brtve nalegle sa svih strana.

9. Postavite nosač šarke i pričvrstite ga za gornji dio jedinice.

10. Ukoliko je potrebno, pričvrstite ključem.



Ponovo postavite oblogu šarke i poklopac vijka.

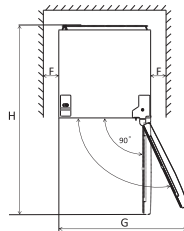
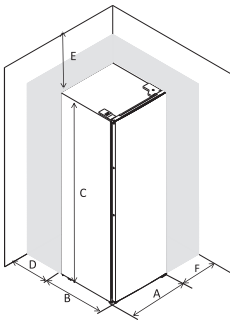


Uklonite brtve sa vrata hladnjaka i zamrzivača, a zatim ih zarotirajte i, nakon toga, ponovo postavite.

UGRADNJA UREĐAJA

Potrebe prostora

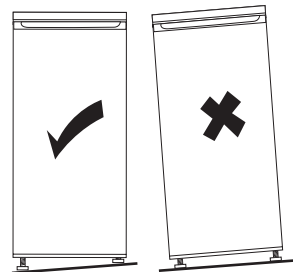
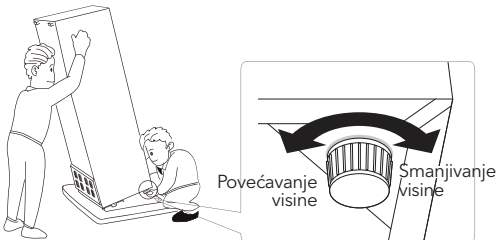
- Ostavite dovoljno mjesta za otvaranje vrata.



A	480
B	450
C	850
D	min=50
E	min=50
F	min=50
G	960
H	930

Nivelacija uređaja

Kako biste ovo napravili, podesite dvije podesne nožice s prednje strane uređaja. Ukoliko uređaj nije niveliran, vrata i magnetna guma neće pravilno prijanjati.



Pozicioniranje

Postavite ovaj uređaj na mjesto čija sobna temperatura odgovara klimatskoj klasi navedenoj na natpisnoj pločici:

Za rashladne uređaje sa sljedećim klimatskim klasama:

- prošireno umjerena: ovaj uređaj za rashlađivanje je namijenjen za upotrebu na sobnim temperaturama koje se kreću u opsegu od 10°C do 32°C (SN);
- umjerena: ovaj uređaj za rashlađivanje je namijenjen za upotrebu na sobnim temperaturama koje se kreću u opsegu od 16°C do 32°C (N);
- suptropska: ovaj uređaj za rashlađivanje je namijenjen za upotrebu na sobnim temperaturama koje se kreću u opsegu od 16°C do 38°C (ST);
- tropska: ovaj uređaj za rashlađivanje je namijenjen za upotrebu na sobnim temperaturama koje se kreću u opsegu od 16°C do 43°C (T);

Lokacija

Uređaj treba biti udaljen od izvora topline, kao što su radijatori, bojleri, izravna sunčeva svjetlost itd. Pazite da zrak slobodno cirkulira oko stražnje strane

hladnjaka kako biste osigurali najbolji učinak. Ako je uređaj postavljen ispod visećeg dijela, minimalni razmak između vrha uređaja i visećeg dijela treba biti najmanje 50 mm. U idealnom slučaju, uređaj ne bi trebao biti postavljen ispod visećeg dijela. Odgovarajuće izravnavanje postiže se jednom ili više odgovarajućih nogu, ovisno o uređaju.

Ovaj rashladni uređaj nije namijenjen za korištenje kao ugradbeni uređaj;

! UPOZORENJE!

Isključivanje uređaja mora biti omogućeno; iz tog razloga, utičnica mora biti dostupna nakon ugradnje uređaja.

Povezivanje na struju

Prije uključivanja provjerite da li napon i frekvencija prikazani u tablici sa specifikacijama odgovaraju naponu u kućanstvu. Uređaj mora biti uzemljen. Kabel za napajanje opremljen je kontaktom za tu svrhu. Ako kućanska utičnica nije uzemljena, spojite uređaj na zasebno uzemljenje u skladu s važećim propisima; obratite se kvalificiranom električaru. Proizvođač ne snosi nikakvu odgovornost ako se gore navedene preventivne mjere ne poštuju. Ovaj uređaj je u skladu sa smjernicama EEZ.

SVAKODNEVNA UPOTREBA

Prva upotreba

Čišćenje unutrašnjosti uređaja

Prije prve uporabe uređaja očistite unutrašnjost i sve unutarnje elemente mlakom vodom i neutralnim sapunom kako biste uklonili tipičan miris novog proizvoda, a zatim ga dobro osušite.

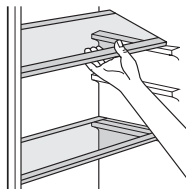
VAŽNO! Nemojte koristiti deterdžente ili abrazivna sredstva, jer mogu oštetiti površinu.

- Uređaj možda neće raditi na pravoj temperaturi, ako se nalazi u veoma toplom okruženju ili ako često otvarate vrata.

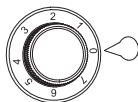
Svakodnevna upotreba

Police koje se mogu pomicati

Zidovi hladnjaka imaju niz utora, pa se police mogu podesiti po želji.



Podešavanje temperature



- Uključite svoj uređaj. Unutarnju temperaturu regulira termostat. Postoji 6 (8) razina temperature, 1 je najtopija razina, 5 (7) je najhladnija, i 0 znači da je uređaj isključen.

Pozicioniranje policia u vratima

Kako bi se hrana ili piće mogli držati u ambalaži različitih dimenzija, police na vratima mogu se postaviti na različitim visinama. Slijedite ove korake da biste prilagodili police:

- Korak 1: policu u vratima izvucite kako biste je izvadili.
- Korak 2: Odaberite odgovarajući položaj za policu i pritisnite je u dvije konveksne ploče dok se potpuno ne zaključa.

Ladica za povrće

Ladica je prikladna za držanje voća i povrća. Može se potpuno izvući.

Otanjanje

Duboko smrznutu ili smrznutu hranu prije upotrebe možete odmrznuti u odjeljku hladnjaka ili na sobnoj temperaturi. Kako biste spriječili izlivanje kondenzirane vode prilikom odmrzavanja u odjeljku hladnjaka, stavite smrznutu hranu u tanjur ili zdjelu.

Korisni savjeti

Savjeti za hlađenje svježe hrane

Za najbolji učinak:

- Ne čuvajte vruću hranu ili tekućine koje isparavaju u hladnjaku
- Pokrijte ili zamotajte hranu, pogotovo ako ima jak miris
- Rasporedite hranu tako da zrak može slobodno cirkulirati oko nje

Savjeti za čuvanje hrane u hladnjaku

Korisni savjeti:

- Meso (sve vrste): zamotajte u plastične vrećice i stavite na staklene police iznad ladice za povrće.
- Zbog sigurnosti, hranu na ovaj način čuvajte jedan dan, najviše dva.
- Kuhana hrana, hladna jela, itd...: treba ih pokriti i mogu se odložiti na bilo koju policu.
- Voće i povrće: treba ga dobro oprati i spremiti u ladice namijenjene za skladištenje.
- Maslac i sir: treba ih staviti u posebne hermetičke posude, ili zamotati u aluminijsku foliju ili polietilenske vrećice kako bi se uklonilo što više zraka.
- Boce s mlijekom/jogurtom: treba ih zatvoriti i spremiti u police na vratima.
- Banane, krumpir, luk i češnjak, ako nisu zapakirani, ne smiju se čuvati u hladnjaku.

Čišćenje

Iz higijenskih razloga, unutrašnjost uređaja, uključujući unutarnje elemente, treba redovito čistiti.

! OPREZI!

Tijekom čišćenja uređaj ne smije biti priključen na struju. Postoji opasnost od strujnog udara! Prije čišćenja uređaja, isključite ga i prekinite napajanje, ili isključite prekidač ili osigurač. Nikada nemojte čistiti uređaj parnim čistačem. Vлага se može nakupiti u električnim komponentama, opasnost od strujnog udara! Pare mogu oštetiti plastične dijelove. Uređaj mora biti suh prije ponovne upotrebe.

VAŽNO! Eterična ulja i organska otapala mogu korodirati plastične dijelove, kao što su sok od limuna ili narančine kore, karboksilne kiseline, sredstva za čišćenje koja sadrže octenu kiselinu.

- Nemojte dopustiti da takve tvari dođu u dodir s dijelovima uređaja.
- Nemojte koristiti abrazivna sredstva za čišćenje
- Izvadite hranu iz zamrzivača. Hranu čuvajte na hladnom mjestu i dobro pokrijte.
- Isključite uređaj i prekinite napajanje, ili isključite prekidač ili osigurač.
- Očistite uređaj i unutarnje elemente krpom i mlakom vodom. Nakon čišćenja isperite čistom vodom i osušite krpom.
- Nakupljanje prašine na kondenzatoru povećava potrošnju energije. Stoga je potrebno jednom godišnje mekanom četkom ili usisavačem pažljivo očistiti kondenzator smješten na stražnjoj strani uređaja.¹
- Nakon što se sve osuši, ponovno uključite uređaj.

¹ Ako je kondenzator postavljen na stražnjoj strani uređaja.

Promjena žarulje

! OPREZI!

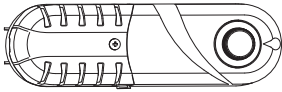
Prije zamjene žarulje, trebali biste isključiti napajanje uređaja.

Specifikacije sijalice su navedene na etiketi.

Slijedite dolje navedene korake za zamjenu:

1. Postavite regulator temperature na "0" da biste isključili uređaj.
2. Isključite uređaj kako biste bili sigurni da uređaj nije priključen na izvor napajanja.
3. Uklonite vijak sa štitnika žarulje.
4. Uklonite poklopac lampice s ravnim odvijačem.
5. S dva prsta odvrnite lampu.

- Ugradite novu svjetiljku tako da je okrenete.
- Spojite uređaj na napajanje i okrenite kotačić u odgovarajući položaj.



Otapanje zamrzivača

Vremenom će isparivač biti prekriven slojem leda. Njega treba ukloniti. Nikad ne koristite oštre

metalne alate da biste skinuli led sa isparivača, budući da ga tako možete oštetiti. Međutim, ukoliko je sloj leda veoma debeo na isparivaču, proces odleđivanja treba obaviti na sljedeći način:

- prekinite napajanje uređaja strujom;
- uklonite svu hranu iz uređaja, umotajte je u nekoliko slojeva novina i odložite je na hladno mjesto;
- držite vrata otvorena, i postavite posudu ispod uređaja, kako bi se tu sakupljala odleđena voda;
- kada proces odleđivanja bude gotov, temeljno osušite

RJEŠAVANJE PROBLEMA

! OPREZ!


Prije rješavanja problema, isključite napajanje. Samo kvalificirani električar ili kompetentna osoba smije riješiti problem koji nije naveden u ovom priručniku.


VAŽNO! Postoje određeni zvukovi koje uređaj proizvodi tijekom normalnog korištenja (kompresor, rashladni dio uređaja).

Problem	Mogući uzrok	Rješenje
Uređaj ne radi	Regulator temperature je postavljen na "0".	Postavite regulator temperature na neki drugi broj, kako biste uključili uređaj.
	Uređaj nije priključen na strujni krug.	Umetnite utikač.
	Osigurač je ispao ili je neispravan.	Provjerite osigurač, zamijenite ga ako je potrebno.
	Utičnica je neispravna.	Kvarove utikača treba popraviti električar.
Hrana je pretopla.	Temperatura nije pravilno postavljena.	Molimo vas, pogledajte odjeljak za osnovnu razinu temperature.
	Vrata su bila otvorena duže vremena.	Držite vrata otvorenim samo onoliko, koliko je potrebno.
	Velika količina tople hrane je stavljena u uređaj u posljednja 24 sata.	Podesite regulator temperature privremeno na nižu temperaturu.
	Uređaj je blizu izvora topline.	Molimo vas, pogledajte odjeljak za lokaciju i instalaciju.
Uređaj previše hladi	Regulator temperature je postavljen na hladno.	Podesite regulator temperature privremeno na višu temperaturu
Neobični zvukovi	Uređaj nije niveliran.	Ponovo podesite nožice.
	Uređaj dodiruje zid ili druge predmete.	Malo pomaknite uređaj.
	Dio, kao što je cjevovod na stražnjoj strani uređaja, dodiruje druge dijelove uređaja ili zid.	Ukoliko je potrebno, pažljivo uklonite dio koji predstavlja prepreku.

Ukoliko se kvar pojavi ponovo, kontaktirajte Servisni centar.

Zaštita okoliša

 Ovaj uređaj ne sadrži plinove koji mogu oštetiti ozonski omotač, niti u sustavu hlađenja niti u izolacijskim materijalima. Uređaj se ne smije odlagati s gradskim ili kućnim otpadom. Izolacijska pjena sadrži zapaljive plinove: uređaj treba zbrinuti u skladu s propisima za uređaje koje izdaju lokalne vlasti. Izbjegavajte oštećenje dijela za hlađenje, posebno dijela za izmjenu topline. Materijali koji se koriste za ovaj uređaj mogu se reciklirati ako su označeni simbolom za recikliranje. ♻️

 Oznaka na proizvodu, odnosno njegovoj ambalaži, označava da se ovaj proizvod ne smije zbrinjavati kao kućni otpad. Umjesto toga, treba ga ostaviti na odgovarajućem mjestu, gdje se skuplja električna i elektronička oprema. Pravilno odlaganje proizvoda pomoći će u sprječavanju potencijalnih negativnih posljedica za okoliš i zdravlje ljudi, koje bi inače mogle biti uzrokovane neodgovarajućim zbrinjavanjem ovog proizvoda. Za više pojedinosti o recikliranju ovog proizvoda, obratite se lokalnoj gradskoj upravi, službi za zbrinjavanje kućnog otpada ili trgovini u kojoj ste kupili proizvod.

Materijali ambalaže

Materijali označeni ovim simbolom mogu se reciklirati. Pakiranje odložite u odgovarajući spremnik za skupljanje otpada za recikliranje.

Odlaganje uređaja

1. Isključite napajanje uređaja.
2. Odrežite kabel za napajanje i bacite ga.

**UPOZORENJE!**

Prilikom korištenja, servisiranja i zbrinjavanja uređaja imajte na umu žutu ili narančastu oznaku, sličnu onoj prikazanoj na slici lijevo, koja se nalazi na stražnjoj strani uređaja (ploča ili kompresor na stražnjoj strani uređaja). Ovaj simbol je simbol opasnosti od požara. U cijevima rashladnog sredstva i u kompresoru postoje zapaljivi materijali. Molimo da uređaj držite dalje od izvora paljenja tijekom uporabe, servisiranja i odlaganja.

Informacijski list proizvoda

Delegirana uredba Komisije (EU) 2019/2016 u pogledu označavanja energetske učinkovitosti rashladnih uređaja

Ime ili zaštitni znak dobavljača: Tesla

Adresa dobavljača: Tesla Electronics, Litijska 47, 1000 Ljubljana, SI

Identifikacijska oznaka modela: RS0906H

Tip rashladnog uređaja:

Tih rashladni uređaj:	Ne	Projektirani tip:	samostojeće
Uređaj za čuvanje vina:	Ne	Drugi rashladni uređaj:	Ne

Opći parametri proizvoda:

Parametar	Vrijednost	Parametar	Vrijednost
Ukupne dimenzije (mm)	Visina	850	Ukupna zapremnina (dm ³ ili l)
	Širina	480	
	Dubina	450	
Indeks energetske učinkovitosti (EEI)	125	Razred energetske učinkovitosti	F
Emisije buke koja se prenosi zrakom (dB(A) re 1 pW)	39	Razred emisija buke koja se prenosi zrakom	C
Godišnja potrošnja energije (kWh/god)	107	Klimatski razred:	umjereni, subtropski
Minimalna temperatura okoline (°C) za koju je rashladni uređaj prikladan	16	Maksimalna temperatura okoline (°C) za koju je rashladni uređaj prikladan	38
Postavka za zimski način rada	Ne		

Parametri odjeljka:

Vrsta odjeljka		Parametri i vrijednosti odjeljka			
		Zapremnina odjeljka (dm ³ ili l)	Preporučena postavka temperature za optimalno čuvanje hrane (°C) Te postavke ne smiju biti u suprotnosti s uvjetima čuvanja iz tablice 3. Priloga IV.	Kapacitet zamrzavanja (kg/24 sata)	Defrosting type (auto-defrost=A, manual defrost=M)
Odjeljak s uvjetima ostave	Ne	-	-	-	-

Odjeljak za čuvanje vina	Ne	-	-	-	-
Odjeljak s podrumskim uvjetima	Ne	-	-	-	-
Odjeljak za čuvanje svježe hrane	Da	90,0	-	-	M
Odjeljak svježe zone	Ne	-	-	-	-
Odjeljak s 0 zvjezdica ili odjeljak za pravilne leda	Ne	-	-	-	-
Odjeljak s jednom zvjezdicom	Ne	-	-	-	-
Odjeljak s dvije zvjezdice	Ne	-	-	-	-
Odjeljak s tri zvjezdice	Ne	-	-	-	-
Odjeljak s četiri zvjezdice	Ne	-	-	-	-
Prostor s dvije zvjezdice	Ne	-	-	-	-
Odjeljak s promjenjivom temperaturom	-	-	-	-	-
Parametri izvora svjetlosti:					
Vrsta izvora svjetlosti			LED		
Razred energetske učinkovitosti			-		
Minimalno trajanje jamstva koje nudi proizvođač: 24 (u mjesecima)					
Dodatne informacije:					
Poveznica na internetsku stranicu proizvođača na kojoj se nalaze informacije iz točke 4. podtočke (a) Priloga Uredbi Komisije (EU) 2019/2019: tesla.info					

VARNOSTNE INFORMACIJE

Pred nameščanjem gospodinjskega aparata in pred prvo uporabo zaradi lastne varnosti in pravilne uporabe natančno preberite ta uporabniški priročnik, vključno z nasveti in opozorili. Da preprečite nepotrebne napake in nesreče, je pomembno poskrbeti, da bodo vse osebe, ki bodo aparat upravljale, dobro seznanjene z njegovim delovanjem in varnostnimi funkcijami. Ta navodila shranite in poskrbite, da bodo priložena aparatu, če bo premaknjen ali prodan, tako da bodo vse osebe, ki ga bodo v njegovi življenjski dobi uporabljale, pravilno seznanjene z njegovo uporabo in varnostjo.

Da zavarujete življenja in premoženje, upoštevajte previdnostne ukrepe v teh navodilih za uporabnika, saj proizvajalec ni odgovoren za škodo, ki bi nastala v nasprotnem primeru.

Varnost otrok in ranljivih oseb

- Ta aparat lahko uporabljajo otroci, stari 8 in več let, ter osebe s telesnimi, senzoričnimi ali duševnimi okvarami ali pa osebe brez izkušenj in znanja, če so pod nadzorom ali pa so jim bila podana navodila za varno uporabo za aparata in če razumejo nevarnosti, povezane z njegovo uporabo.
- Otrokom, starim od 3 do 8 let, je v ta aparat dovoljeno dajati živila in jih jemati iz njega.
- Da se otroci zagotovo ne bodo igrali z aparatom, jih je treba nadzorovati.
- Otroci ne smejo čistiti in vzdrževati aparata, razen če so stari 8 in več let ter so pod nadzorom.
- Poskrbite, da bo vsa embalaža zunaj dosega otrok. Obstaja tveganje zadušitve.
- Če boste aparat odstranili, izvlecite vtič iz vtičnice, prerežite napajalni kabel (na mestu, ki je čim bližje

aparatu) in odstranite vrata, da preprečite električni udar pri otrocih, ki se igrajo, ali pa zaprtje otrok v aparat.

- Če ima ta gospodinjski aparat na vratih magnetno tesnilo in želite z njim nadomestiti starejši aparat, ki se zaklepa na vzmet (zapah) na vratih ali pokrovu, pred odstranjevanjem starega aparata poskrbite, da zaklep na vzmet ne bo več deloval. S tem boste preprečili, da stari aparat ne bo postal smrtna past za otroke.

Splošna varnost

Poskrbite, da odprtine za prezračevanje v okrovu aparata ali v vgrajeni strukturi ne bodo zamašene.

Odtaljevanja ne poskušajte pospeševati z mehanskimi napravami ali z drugimi sredstvi, razen s tistimi, ki jih priporoča proizvajalec.

Ne poškodujte krogotoka hladilne tekočine.

V notranjosti hladilnih gospodinjskih aparatov ne uporabljajte drugih električnih naprav (kot so aparati za izdelovanje sladoleda), razen če jih za ta namen ni odobril proizvajalec.

Če je žarnica svetila dlje časa, se je ne dotikajte, saj je lahko zelo vroča.¹

Pri nameščanju aparata poskrbite, da napajalni kabel ne bo zagozden ali poškodovan.

Na zadnji strani aparata ne nameščajte prenosnih električnih razdelilnikov z več vtičnicami ali prenosnih akumulatorjev.

- V tem gospodinjskem aparatu ne shranjujte eksplozivnih snovi, kot so aerosolne pločevinke z vnetljivim potisnim plinom.
- V hladilnem krogotoku gospodinjskega aparata je hladilno sredstvo izobutan (R600a), naravni plin, katerega raven okoljske združljivosti je visoka, a je vseeno vnetljiv.

- Med prevozom in namestitvijo aparata poskrbite, da se noben od sestavnih delov hladilnega krogotoka ne bo poškodoval.
 - Izogibajte se odprtemu ognju in virom vžiga.
 - Dobro prezračite prostor, v katerem je gospodinjski aparat.
- Kakršno koli spreminjanje specifikacij ali tega izdelka je nevarno. Zaradi kakršne koli poškodbe kabla lahko pride do kratkega stika, požara in/ali električnega udara.
- Ta gospodinjski aparat je predviden je za uporabo v gospodinjstvu in temu podobnih okoljih, kot so
 - kuhinje za osebje v trgovinah, pisarnah in drugih delovnih okoljih,
 - kmetije ter hoteli, moteli in nastanitve drugih vrst, kjer je ta aparat na voljo gostom,
 - nastanitve z nočitvijo in zajtrkom,
 - catering ter podobni načini uporabe, ki niso namenjeni prodaji.

Vse električne sestavne dele (vtič, kabel, kompresor itd.) mora zamenjati pooblaščen serviser ali usposobljeno servisno osebje.

Žarnica, ki je priložena temu aparatu, je „žarnica za posebno uporabo“, ki se uporablja samo v dobavljenem aparatu. Te „žarnice za posebno uporabo“ ni mogoče uporabiti pri hišni razsvetljavi.¹

- Napajalnega kabla ni dovoljeno podaljševati.
- Poskrbite, da aparat z zadnjo stranjo ne bo zmečkal ali poškodoval vtiča napajalnega kabla. Zmečkan ali poškodovan vtič napajalnega kabla se lahko pregreje in povzroči požar.
- Poskrbite, da boste lahko dostopali do glavnega vtiča aparata.

- Glavnega kabla ne vlecite.
- Če je napajalna vtičnica razrahljana, vtiča napajalnega kabla ne priklaplajte vanjo. Obstaja tveganje električnega udara ali požara.
- Aparata brez luči ne smete upravljati.
- Ta aparat je težak. Premikajte ga previdno.
- Z vlažnimi/mokrimi rokami se ne dotikajte predmetov iz predelka zamrzovalnika, saj se lahko na rokah pojavijo odrgnine ali pa ozeblina zaradi zmrzali/zamrzovalnika.
- Preprečite daljšo izpostavljenost aparata neposredni sončni svetlobi.

Vsakodnevna uporaba

- Na plastične dele aparata ne postavljajte vročih predmetov .
 - Živil ne postavljajte neposredno ob zadnjo steno.
 - Ko zamrznjena živila enkrat odtalite, jih ne smete ponovno zamrzniti.²
 - Vnaprej pakirana zamrznjena živila shranite v skladu z navodili proizvajalcev teh živil.²
 - Natančno se držite priporočil, ki jih za shranjevanje podajajo proizvajalci aparata. Upoštevajte ustrezna navodila.
 - Pijač z dodanim ogljikovim dioksidom oziroma gaziranih pijač ne shranjujte v predelku zamrzovalnika, saj se ustvarja pritisk na posodo, zaradi katerega ta lahko eksplodira, aparat pa se poškoduje.²
 - Če sladoleadne lučke zaužijemo neposredno po tem, ko jih vzamemo iz aparata, lahko povzročijo ozeblino.²
- Da preprečite onesnaženje živil, upoštevajte naslednja navodila.
- Če vrata dlje časa pustite odprta, se temperatura v predelkih aparata lahko precej zviša.

- Redno čistite površine, ki so v stiku z živili, in dostopne odvodne sisteme.
- Če posod za vodo 48 ur niste uporabljali, jih očistite; če iz aparata 5 dni niste jemali vode, sperite sistem za vodo, priključen na dovod vode.
- Surovo meso in ribe v hladilniku shranjujte v primernih posodah, tako da ta živila ne pridejo v stik z drugimi ali da z njih ne kaplja na druga živila.
- Predelki za zamrznjena živila, označeni z dvema zvezdicama (če so v aparatu), so primerni za shranjevanje predhodno zamrznjenih živil, shranjevanje ali izdelovanje sladoleda in izdelovanje ledenih kock.
- Predelki, označeni z eno, dvema in tremi zvezdicami (če so v aparatu), niso primerni za zamrzovanje svežih živil.
- Če je bil hladilni aparat dlje časa prazen, ga izklopite, odtalite, očistite in osušite, nato pa vrata pustite odprta, da preprečite nastajanje plesni v aparatu.

Nega in čiščenje

- Pred vzdrževalnimi deli izklopite aparat in odklopite vtič napajalnega kabla z napajalne vtičnice.
- Ne čistite aparata s kovinskimi predmeti.
- Za odstranjevanje ledu iz aparata ne uporabljajte ostrih predmetov. Uporabljajte plastično strgalo.²
- Redno preverjajte, ali se je v odtoku hladilnika zaradi odtaljevanja ledu nabrala voda. Po potrebi odtok očistite. Če je odtok zamašen, se bo voda zbirala na dnu aparata³

Namestitev

- Pri priklopu električnih instalacij natančno upoštevajte navodila v posameznih odstavkih.
- Aparat vzemite iz embalaže in preverite, ali je

poškodovan. Če je poškodovan, ga ne priklopljajte. O morebitnih poškodbah takoj poročajte na mesto, kjer ste aparat kupili. V tem primeru shranite embalažo.

- Preden priklopite aparat, je priporočljivo počakati vsaj 4 ure, da bo olje steklo nazaj v kompresor.
- Poskrbljeno mora biti za zadostno kroženje zraka okrog aparata; v nasprotnem primeru se lahko pregreje. Da bo prezračevanje zadostno, upoštevajte navodila, ki se nanašajo na namestitvev.
- Kjer koli je to mogoče, morajo biti distančniki izdelka naslonjeni na steno, tako da se vročih delov (kompresorja, kondenzatorja) ni mogoče dotakniti ali jih prijeti, s tem pa so preprečene morebitne opekline.
- Aparat ne sme biti nameščen blizu radiatorjev ali štedilnikov.
- Poskrbite, da bo po namestitvi aparata mogoč dostop do glavnega vtiča.

Servis

- Kakršna koli servisna dela na električnih instalacijah aparata mora izvesti kvalificirani električar ali usposobljena oseba.
- Ta izdelek mora servisirati pooblaščen servisni center, uporabljeni pa morajo biti samo originalni nadomestni deli.

Varčevanje z energijo

- V aparatu ne shranjujte vročih živil.
- Živil ne nagnetite, saj to preprečuje kroženje zraka.
- Poskrbite, da se živila ne bodo dotikala zadnje strani predelkov.
- Če se elektrika izklopi, ne odpirajte vrat.
- Vrat ne odpirajte pogosto.

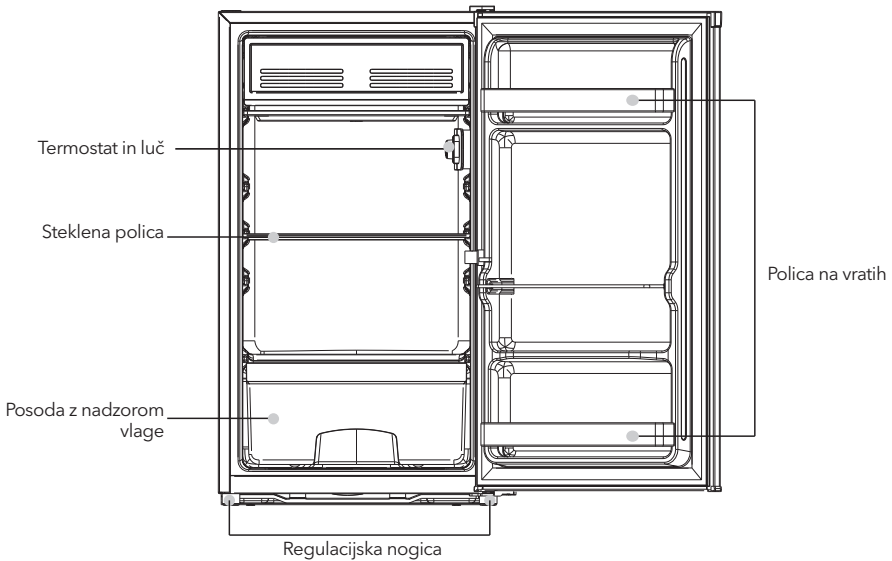
- Ko jih odprete, naj ne bodo predolgo odprta.
- Termostata ne nastavite na prenizko temperaturo.
- Da je poraba energije manjša, mora biti tu shranjena vsa dodatna oprema, kot so predali, police in police na vratih.

¹ Če je v predelku luč.

² Če obstaja predelek za zamrzovanje.

³ Če obstaja predelek za shranjevanje svežih živil.

PREGLED

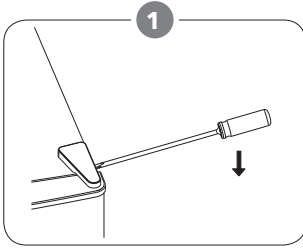


Opomba: slika je namenjena le ponazoritvi.

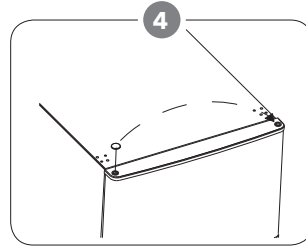
VRATA Z MOŽNOSTJO ZAMENJAVE STRANI ODPIRANJA

Potrebno orodje: križni izvijač, ploščati izvijač, šestkotni nasadni ključ.

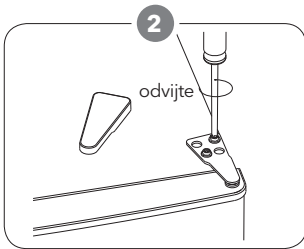
- Prepričajte se, da je enota izključena in prazna.
- Če želite vrata sneti, morate enoto nagniti nazaj. Enota naj bo naslonjena na nekaj trdnega, tako da med postopkom zamenjave strani ne bo zdrsnila.
- Vse odstranjene dele je treba shraniti, da boste vrata lahko znova namestili.
- Enote ne postavljajte v ležeč položaj, saj se sistem za hladilno tekočino lahko poškoduje.
- Med sestavljanjem sta za ravnanje z enoto priporočljivi dve osebi.



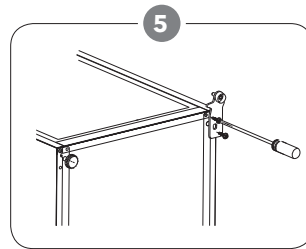
Odstranite pokrov zgornjega desnega tečaja.



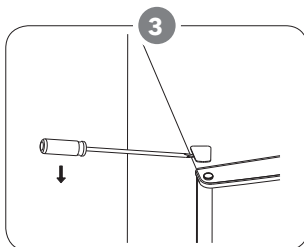
Premaknite pokrov za zaščito vrat z leve na desno stran. Nato dvignite zgornja vrata in jih položite na oblaznjeno površino, da se ne bodo opraskala.



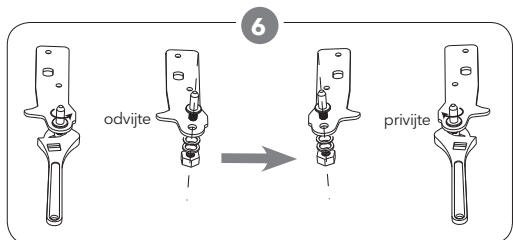
Odstranite vijake. Nato odstranite nosilec tečaja.



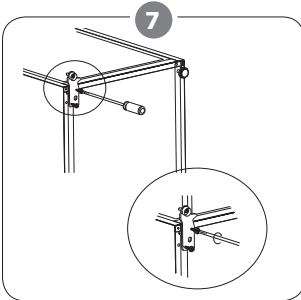
Odvijte spodnji tečaj. Nato odstranite regulacijski nogici na drugi strani.



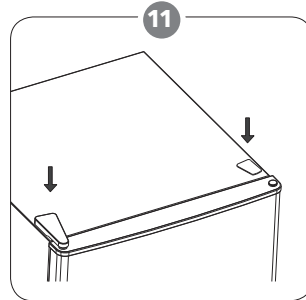
Odstranite pokrov zgornjega levega tečaja.



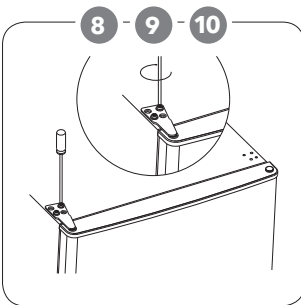
S ploskim izvijačem odvijte spodnji zatič tečaja in ga odstranite, nato pa obrnite nosilec in zamenjajte zatič.



Pritrdite spodnji zatič tečaja in tako znova namestite nosilec. Zamenjajte regulacijsko nogico.



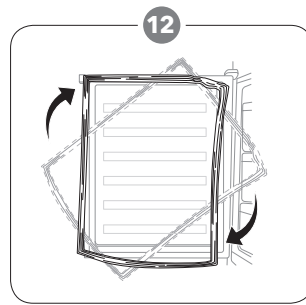
Pokrova tečaja in vijaka namestite nazaj.



8. Namestite vrata nazaj. Poskrbite, da bodo vrata pred končnim privijanjem zgornjega tečaja vrata poravnana v obeh smereh, vodoravni in navpični, tako da bodo tesnila na vseh straneh zaprta.

9. Vstavite nosilec tečaja in ga privijte na zgornji del enote.

10. Po potrebi ga privijte s ključem.

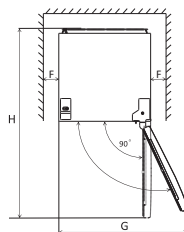
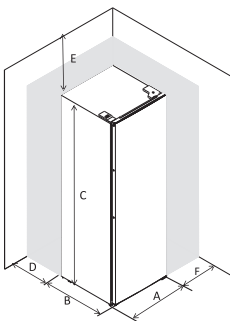


Odstranite tesnila vrat hladilnika in zamrzovalnika, po vrtenju pa jih nato znova pritrdite.

NAMESTITEV

Zahteve glede prostora

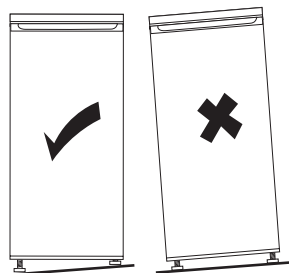
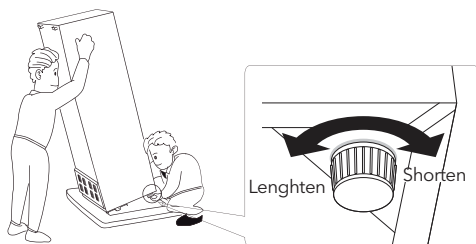
- Pustite dovolj prostora, da se bodo vrata lahko odpirala.



A	480
B	450
C	850
D	min=50
E	min=50
F	min=50
G	960
H	930

Izravnavanje enote

Če želite enoto izravnati, prilagodite regulacijski nogici na sprednji strani enote. Če enota ne bo izravnana, vrata in magnetna tesnila ne bodo dobro tesnila.



Določanje položaja

Ta aparat namestite tja, kjer se temperatura okolja ujema s klimatskim razredom, označenim na tablici z nazivnimi podatki na aparatu: Za hladilne aparate s klimatskim razredom:

- razširjeni zmerni podnebni pas: ta hladilni aparat je namenjen uporabi pri temperaturah okolja od 10 °C do 32 °C (SN);
- zmerni pas: ta hladilni aparat je namenjen uporabi pri temperaturah okolja od 16 °C do 32 °C (N);
- subtropski pas: ta hladilni aparat je namenjen uporabi pri temperaturah okolja od 16 °C do 38 °C (ST);
- tropski pas: ta hladilni aparat je namenjen uporabi pri temperaturah okolja od 16 °C do 43 °C (T);

Mesto

Gospodinjski aparat mora biti nameščen precej stran od virov toplote, kot so radiatorji, grelniki vode, neposredna sončna svetloba itd. Da bo delovanje čim boljše, poskrbite, da bo zrak lahko prosto krožil okrog zadnjega dela ohišja. Če je aparat nameščen pod visečo stensko enoto, mora biti najmanjša razdalja med zgornjim delom ohišja in stensko enoto vsaj 50 mm.

Vendar je najbolje, da aparat pod visečimi

stenskimi enotami sploh ni nameščen. Z eno ali več prilagodljivimi nogicami na dnu ohišja je mogoče aparat natančno izravnati.

Ta hladilni aparat ni namenjen temu, da bi bil uporabljen kot vgradni aparat.

⚠ OPOZORILO!

It must be possible to disconnect the appliance from the mains power supply; the plug must therefore be easily accessible after installation.

Električni priključek

Pred priklopom se prepričajte, ali napetost in frekvenca, ki sta navedeni na tablici z nazivnimi podatki, ustrežatavašemu domačemu omrežnemu napajanju. Aparat mora biti ozemljen. V ta namen je na vtiču napajalnega kabla nameščen kontakt. Če domača napajalna vtičnica ni ozemljena, aparat po posvetu s kvalificiranim električarjem priključite na ločeno ozemljitev, skladno s trenutno veljavnimi predpisi.

Če zgornji varnostni previdnostni ukrepi niso upoštevani, proizvajalec zavrača vso odgovornost. Ta gospodinjski aparat je skladen z direktivami EGS.

VSAKODNEVNA UPORABA

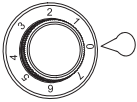
Prva uporaba

Čiščenje notranjosti

Pred prvo uporabo očistite notranjost aparata in vso notranjo dodatno opremo z mlačno vodo in nekaj nevtralnega mila, da odstranite značilni vonj povsem novega izdelka, nato pa ga temeljito osušite.

POMEMBNO! Ne uporabljajte detergentov ali abrazivnih praškov, saj lahko poškodujejo premaz.

Nastavitev temperature

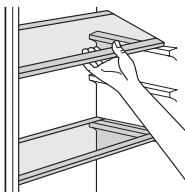


- Vklopite aparat. Notranjo temperaturo nadzira termostat. Ta ima 8 nastavitve. Nastavitev 1 pomeni najtoplejšo, nastavitev 7 najhladnejšo, nastavitev 0 pa pomeni izklop aparata.
- Če je aparat v zelo vročem okolju ali če pogosto odpirate vrata, morda ne bo deloval pri pravilni temperaturi.

Vsakodnevna uporaba

Premakljiva polica

Polico je mogoče premakniti na ustrezna mesta.



Nameščanje polic na vratih

Za shranjevanje živil ali pijač različne velikosti je mogoče police na vratih namestiti na različne višine. Če želite prilagoditi police, sledite spodnjemu postopku.

1. korak - Povlecite polico, da jo sprostite.
2. korak Izberite primerno mesto in pritiskajte polico na konveksni plošči, dokler ni popolnoma zataknjena.

Predal za zelenjavo

Predal je primeren za shranjevanje sadja in zelenjave. Zlahka ga je mogoče izvlечи.

Odtaljevanje

Globoko zamrznjena ali zamrznjena živila je mogoče pred uporabo odtaliti v predelku hladilnika ali na sobni temperaturi. Zamrznjena živila postavite v skledo ali posodo, da preprečite kapljanje vode, ki pri odtaljevanju v predelku nastane zaradi kondenzacije.

Koristni nasveti in namigi

Nasveti za hlajenje svežih živil

Najboljši učinek dosežete z naslednjim:

- v hladilniku ne shranjujte toplih živil ali hlapnih tekočin;
- živila pokrijte ali zavijte, še posebej, če imajo močan vonj;
- živila postavite tako, da bo zrak lahko krožil okrog njih.

Nasveti za hlajenje

Koristni nasveti:

- meso (vseh vrst): zavijte v polietilenske vrečke in postavite na stekleno polico nad predal za zelenjavo;
- Kuhana živila, hladne jedi itd.: treba jih je pokriti in lahko jih postavite na katero koli polico.
- Sadje in zelenjava: temeljito jih je treba očistiti in shraniti v enega ali več priloženih posebnih predalov.
- Maslo in sir: postaviti ju je treba v posebne, nepredušne posode ali pa zaviti v aluminijasto folijo ali polietilenske vrečke, da je zrak čim bolj iztisnjen.
- steklenice z mlekom: morajo imeti pokrovček in treba jih je shraniti v stojalu za steklenice na vratih;
- če banane, krompir, čebula in česen niso pakirani, jih ne smete shranjevati v hladilniku.

Čiščenje

Iz higienskih razlogov morate notranjost aparata, vključno z dodatno opremo v notranjosti, redno čistiti.



POZOR!

Med čiščenjem aparat ne sme biti priključen na omrežno napajanje. Obstaja nevarnost električnega udara! Pred čiščenjem odklopite aparat in vtič izklopite iz omrežnega napajanja ali

pa izklopite odklopnik tokokroga ali varovalko. Aparata nikoli ne čistite s parnim čistilnikom. V električnih delih bi se lahko nabrala vlaga; obstaja nevarnost električnega udara! Vroča para lahko poškoduje plastične dele. Preden aparat spet začne delovati, mora biti suh.

POMEMBNO! Eterična olja in organska topila, npr. limonov sok ali tekočina iz pomarančnih olupkov, butanojska kislina ali čistila, ki vsebujejo očetno kislino, lahko poškodujejo plastične dele.

- Preprečite stik tovrstnih snovi z deli aparata.
- Ne uporabljajte abrazivnih čistil.
- Vzemite živila iz zamrzovalne skrinje. Dobro pokrita shranite na hladnem mestu.
- Odklopite aparat in izklopite vtič iz omrežnega napajanja ali pa izklopite odklopnik tokokroga ali varovalko.
- Aparat in dodatno opremo v notranjosti očistite s krpo in mlačno vodo. Po čiščenju obrišite s krpo, prepojeno s svežo vodo, nato pa s suho krpo obrišite do suhega.
- Zaradi nabiranja prahu na kondenzatorju se poveča poraba energije. Zato kondenzator na zadnji strani aparata enkrat letno temeljito očistite z mehko krtačo ali sesalcem¹
- Ko bo vse suho, aparat znova vklopite.

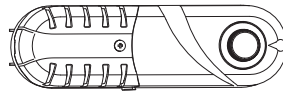
Zamenjava luči

! POZOR!

Predn zamenjate luč, odklopite aparat z omrežnega napajanja.

Specifikacije luči so navedene na tablici z nazivnimi podatki. Luč zamenjajte po spodnjem postopku:

1. Da izklopite aparat, nastavite gumb za regulacijo temperature na številko „0“.
2. Da se prepričate, ali je aparat odklopljen z omrežnega napajanja, izvlecite napajalni vtič aparata.
3. Odstranite vijak pokrova luči.
4. S ploskim izvijačem odstranite pokrov luči.
5. Z dvema prstoma odvijte luč.
6. Namestite novo luč v obratnem vrstnem redu ter nato ponovno namestite pokrov luči.
7. Vključite aparat in obrnite gumb v pravičen položaj.



Odtaljevanje

Uparjalnik bo postopoma postajal vedno bolj prekrit z ledom. Led je treba odstraniti. Ledu z uparjalnika nikoli ne strgajte z ostrimi kovinskimi orodji, saj ga lahko poškodujete. Ko pa se na uparjalniku nabere debela plast ledu, je treba popolno odtaljevanje izvesti na naslednji način:

- izvlecite vtič iz vtičnice,
- odstranite vsa shranjena živila, jih zavijte v več plasti časopisnega papirja in jih shranite na hladnem mestu,
- vrata pustite odprta in pod aparat postavite škafo, da zberete vodo, nastalo zaradi odtaljevanja,
- ko je odtaljevanje končano, notranjost temeljito osušite in znova vklopite vtič v napajalno vtičnico, da bo aparat spet deloval.

1) Če je kondenzator na zadnji strani aparata.

ODPRAVLJANJE TEŽAV

! POZOR!



Pred odpravljanjem težav odklopite napajanje. Težave, ki niso navedene v tem priročniku, lahko odpravlja samo kvalificirani električar ali usposobljena oseba.


POMEMBNO! Med normalno uporabo se pojavljajo določeni zvoki (kompresorja, kroženja hladilnega sredstva).

Težava	Možni vzrok	Rešitev
Aparat ne deluje.	Gumb za nadzor temperature je nastavljen na številko „0“.	Če želite vklopiti aparat, nastavite gumb na drugo številko.
	Vtič napajalnega kabla ni priklopljen ali pa je razrahljan.	Priklopite vtič napajalnega kabla.
	Varovalka je pregorela ali pa je okvarjena.	Preverite varovalko in jo po potrebi zamenjajte.
	Vtičnica je okvarjena.	Okvaro vtičnice mora popraviti električar.
Hrana je pretopla.	Temperatura ni pravilno nastavljena.	Oglejte si začetni razdelek o nastavljanju temperature.
	Vrata so bila dlje časa odprta.	Vrata pustite odprta le toliko časa, kolikor je potrebno.
	V zadnjih 24 urah je bila v aparatu shranjena velika količina toplih živil.	Regulator temperature začasno premaknite na nastavitev za nižjo temperaturo.
	Aparat je v bližini vira toplote.	Oglejte si razdelek o mestu namestitve.
Aparat premočno hladi.	Temperatura je nastavljena na prenizko vrednost.	Začasno premaknite gumb za nadzor temperature na višjo temperaturo.
Nenavadni zvoki	Aparat ni izravnán.	Znova nastavite nogico.
	Aparat se dotika stene ali drugih predmetov.	Aparat nekoliko premaknite.
	Sestavni del, npr. cev, na zadnji strani aparata se dotika drugega dela aparata ali stene.	Sestavni del po potrebi previdno upognite stran.

Če spet pride do nepravilnega delovanja, se obrnite na servisni center.

Varovanje okolja

 Ta aparat niti v krogotoku za hladilno sredstvo niti v izolativnih materialih ne vsebuje plinov, ki bi lahko poškodovali ozonski plašč. Aparata ni dovoljeno odstranjevati skupaj z gospodinjskimi odpadki in smetmi. Izolacijska pena vsebuje vnetljive pline: aparat je treba odstraniti v skladu s predpisi za gospodinjske aparate, ki jih pridobite pri lokalnih organih. Preprečite, da bi prišlo do poškodb hladilne enote, še posebej izmenjevalnika toplote. Materiale, ki so uporabljeni pri tem aparatu in so označeni s simbolom , je mogoče reciklirati.

 Simbol na izdelku ali njegovi embalaži kaže, da tega izdelka ni dovoljeno obravnavati kot gospodinjski odpadki. Namesto tega ga je treba odpeljati na ustrezno zbirno točko za recikliranje električne in elektronske opreme. S tem, ko boste zagotovili pravilno odstranjevanje tega izdelka, boste pomagali preprečiti morebitne negativne posledice za okolje in zdravje ljudi, do katerih bi sicer lahko prišlo zaradi nepravilnega ravnanja s tem izdelkom. Za podrobnejše informacije o recikliranju tega izdelka se obrnite na lokalne oblasti, komunalno podjetje ali trgovino, v kateri ste izdelek kupili.

Materiali za embalažo

Materiale, označene s simbolom, je mogoče reciklirati. Da bo embalaža reciklirana, jo odložite v ustrezen zabojnik za zbiranje odpadkov.

Odstranjevanje gospodinjskih aparatov

1. Izklopite vtič za napajalni kabel iz napajalne vtičnice.
2. Prerežite napajalni kabel in ga odstranite.

**OPOZORILO!**

Med uporabo, servisiranjem in odstranjevanjem aparata bodite pozorni na simbol, podoben simbolu na levi strani, ki je na zadnjem delu aparata (zadnji plošči ali kompresorju) in je rumene ali oranžne barve. Gre za simbol, ki opozarja na tveganje požara. V ceveh za hladilno sredstvo in kompresorju so vnetljive snovi.

Med uporabo, servisiranjem in odstranjevanjem naj aparat ne bo v bližini vira ognja.

Informacijski list izdelka

DELEGIRANA UREDBA KOMISIJE (EU) 2019/2016 glede označevanja hladilnih aparatov z energijskimi nalepkami

ime dobavitelja ali blagovna znamka: Tesla

Naslov dobavitelja: Tesla Electronics, Litijaska 47, 1000 Ljubljana, SI

Identifikacijska oznaka modela: RS0906H

Tip hladilnega aparata:

Nizkohrupni aparat:	Ne	Tip zasnov:	Prostostoječi
Aparat za shranjevanje vina	Ne	Drug hladilni aparat:	Ne

Splošni parametri izdelka:

Parameter		Vrednost	Parameter	Vrednost
Skupne mere (v milimetrih)	Višina	850	Skupna prostornina (v dm ³ ali l)	90
	Širina	480		
	Globina	450		
EEI		125	Razred energijske učinkovitosti	F
Emisije akustičnega hrupa, ki se prenaša po zraku (dB(A) glede na 1 pW)		39	Razred emisij akustičnega hrupa, ki se prenaša po zraku	C
Letna poraba energije (kWh/a)		107	Klimatski razred:	zmerni, subtropski
Minimalna temperatura okolice (°C), za katero je hladilni aparat primeren		16	Maksimalna temperatura okolice (°C), za katero je hladilni aparat primeren	38
Zimska nastavitve		Ne		

Parametri predelka:

Tip predelka		Parametri in vrednosti predelka			
		Prostornina predelka (v dm ³ ali l)	Priporočena nastavitve temperature za optimizirano shranjevanje hrane (°C) Te nastavitve ne smejo biti v nasprotju s pogoji shranjevanja iz tabele 3 Priloge IV	Zmogljivost zamrzovanja (kg/24h)	Defrosting type (auto-defrost=A, manual defrost=M)
Shrambni	Ne	-	-	-	-
Shranjevanje vina	Ne	-	-	-	-

Kletni	Ne	-	-	-	-
Sveža hrana	Da	90,0	-	-	M
Hlajenje	Ne	-	-	-	-
Brez zvezdic ali aparat za led	Ne	-	-	-	-
1 zvezdica	Ne	-	-	-	-
2 zvezdici	Ne	-	-	-	-
3 zvezdice	Ne	-	-	-	-
4 zvezdice	Ne	-	-	-	-
Predel z dvema zvezdicama	Ne	-	-	-	-
Predelek s spremenljivo temperaturo	-	-	-	-	-
Parametri svetlobnih virov:					
Vrsta svetlobnega vira			LED		
Razred energijske učinkovitosti			-		
Minimalno trajanje garancije za hladilni aparat, ki jo nudi proizvajalec: 24 mesecev					
Dodatne informacije:					
Spletna povezava na spletno mesto proizvajalca, na katerem so na voljo informacije iz točke 4(a) Priloge k Uredbi Komisije (EU) 2019/2019: tesla.info					

BEZBEDNOSNA UPUTSTVA

Radi sopstvene bezbednosti obezbedite sigurnu upotrebu, pre instalacije i prve upotrebe uređaja, pročitajte ovo korisničko uputstvo, uključujući i savete i upozorenja. Da biste izbegli nepotrebne greške i nezgode, važno je da se postarate da sve osobe koje koriste uređaj budu detaljno upoznate s njegovim operacijama i bezbedonosnim funkcijama. Sačuvajte ova uputstva i pobrinite se da budu u sklopu uređaja ako bude premešten ili prodat, kako bi svako, ko ga koristi tokom svog života bio upoznat sa pravilnom upotrebom i bezbednošću uređaja.

Imajte na umu ovo korisničko uputstvo radi svoje lične sigurnosti i sigurnosti imovine, budući da proizvođač nije odgovoran za štetu učinjenu propustima.

Bezbednost dece i nesamostalnih osoba

- Ovaj uređaj mogu koristiti deca starosti 8 ili više godina i osobe sa smanjenim fizičkim, čulnim ili mentalnim sposobnostima, ili manjkom iskustva i znanja ukoliko su pod nadzorom, ili su im data uputstva u vezi sa bezbednom upotrebom uređaja, i svesni su mogućeg rizika.
- Deci uzrasta od 3 do 8 godina je dozvoljeno da stavljaju predmete u i uzimaju predmete iz ovog uređaja.
- Deca bi trebalo da budu pod nadzorom, kako biste osigurali da se ne igraju uređajem.
- Čišćenjem i održavanjem ne bi trebalo da se bave deca, osim ako nisu starosti 8 ili više godina i moraju biti pod obaveznim nadzorom.
- Svu ambalažu čuvajte van domašaja dece. Postoji opasnost od gušenja.
- Ukoliko ste odlučili da više ne koristite uređaj, prekinite

napajanje uređaja strujom, presecite kabl za napajanje (što je bliže moguće uređaju) i uklonite vrata, kako biste sprečili mogućnost da deca, koja se igraju, pretrpe strujni udar ili se zatvore u uređaj.

- Ukoliko ovaj uređaj ima magnetnu gumu na vratima, a želite da njime zamenite stariji uređaj, koji se zatvarao pomoću opruge na vratima ili poklopcu, onemogućite funkcionisanje zatvaranja starijeg uređaja pomoću opruge. Na ovaj način ćete sprečiti da uređaj postane smrtonosna zamka za dete.

Opšta bezbednost

Održavajte ventilacione otvore u kućištu frižidera ili ugradnoj strukturi čistima od začepljenja.

Nemojte koristiti mehaničke uređaje ili druge naprave kako biste ubrzali proces odmrzavanja, osim proizvoda preporučenih od strane proizvođača uređaja.

Nemojte oštetiti sistem za hlađenje.

Nemojte stavljati druge električne uređaje (kao što su uređaji za pravljenje sladoleda) u uređaj za hlađenje, osim ako ih proizvođač nije odobrio u ovu svrhu.

Ne dirajte sijalicu ukoliko radi duže vremena, jer može biti veoma vruća.¹

Prilikom postavljanja uređaja, uverite se da ništa ne pritiska priključni kabl, kao i da kabl nije oštećen.

Ne postavljajte višestruke prenosive utičnice ili prenosivo napajanje iza uređaja.

- Nemojte čuvati eksplozivne supstance, kao što su ambalaže sprejeva sa zapaljivim gasom u ovom uređaju.
- Supstanca za hlađenje, izobutan (R600a), se nalazi u sistemu za hlađenje uređaja, to je prirodni gas s visokim nivoom ekološke kompatibilnosti, ali izuzetno zapaljiv.

- Pobrinite se da tokom transporta ili postavljanja uređaja ne bude oštećena nijedna komponenta sistema za hlađenje uređaja.
 - izbegavajte otvoren plamen i izvore zapaljivosti
 - temeljno provetrite prostoriju, u kojoj se nalazi uređaj
- Opasno je menjati specifikacije ili modifikovati proizvod na bilo koji način. Bilo kakvo oštećenje kabla može prouzrokovati kratak spoj, požar i/ili strujni udar.
- Ovaj uređaj je namenjen za upotrebu u domaćinstvima i za slične primene, kao što su
 - prostori za zaposlene u kuhinji, u prodavnicama, kancelarije i druga radna okruženja;
 - poljoprivredna domaćinstva i od strane hotelskih i motelskih gostiju, kao i drugih vrsta ovakvih objekata;
 - objekti koji pružaju uslugu noćenja sa doručkom;
 - catering i slične neprodajne namene.

Bilo koju električnu komponentu (utikač, kabl za napajanje, kompresor itd.) mora zameniti ovlašćeni serviser ili kvalifikovano osoblje.

Sijalica, dostavljena sa ovim uređajem, je "sijalica za specijalnu namenu" i može se koristiti samo za uređaj uz koji je dostavljena. Ova "sijalica za specijalnu namenu" se ne može koristiti za kućno osvetljenje.¹

- Kabl za napajanje se ne sme produžavati.
- Proverite da li je utikač, na zadnjoj strani uređaja, zgnječen ili oštećen. Zgnječen ili oštećen utikač može dovesti do pregrevanja i izazvati požar.
- Pobrinite se da vam glavni utikač uređaja bude dostupan.
- Nemojte izvlačiti glavni kabl.
- Ukoliko utičnica nije fiksirana, nemojte priključivati aparat. Postoji rizik od strujnog udara ili vatre.

- Ne smete raditi ništa na uređaju bez osvetljenja.
- Uređaj je težak. Budite oprezni tokom pomeranja uređaja.
- Nemojte uklanjati ili dodirivati elemente iz dela za zamrzavanje ako su vam ruke vlažne/mokre, budući da to može prouzrokovati ogrebotine ili promrzline na koži.
- Izbegavajte duže izlaganje aparata direktnoj sunčevoj svetlosti.

Dnevna upotreba

- Ne stavljajte vruće stvari na plastične delove uređaja.
- Ne stavljate prehrambene proizvode uza zadnji zid.
- Zamrznuta hrana se ne sme ponovo zamrzavati nakon što se otopi.²
- Već zapakovanu zamrznutu hranu čuvajte u skladu sa instrukcijama proizvođača, u vezi sa zamrznutom hranom.²
- Striktno se pridržavajte preporuka proizvođača u pogledu držanja stvari u uređaju. Pridržavajte se relevantnih instrukcija.
- Ne stavljate gazirana pića u deo za zamrzavanje, budući da to stvara pritisak, koji može prouzrokovati pucanje ambalaže, što može dovesti do oštećenja uređaja.²
- Voćni sladoledi mogu izazvati promrzline ukoliko se konzumiraju odmah po uzimanju iz uređaja.²

Kako biste izbegli kontaminiranje hrane, pratite sledeća uputstva

- Držanje uređaja otvorenim tokom dugih vremenskih perioda može da dovede do značajnog rasta temperature unutar odeljaka uređaja.
- Redovno čistite površine koje mogu da dođu u dodir sa hranom, kao i pristupačne delove odvodnog sistema.
- Očistite rezervoare za vodu ukoliko ih niste koristili

tokom vremenskog perioda dužeg od 48 h; ukoliko tokom vremenskog perioda od 5 dana niste uzimali vodu iz uređaja, isperite sistem za protok vode vodom iz vodovodne mreže.

- Sirovo meso i ribu unutar frižidera držite u odgovarajućim posudama, kako ove namirnice ne bi došle u dodir sa ili kako ne bi kapale po ostaloj hrani.
- Odeljci za smrznutu hranu označeni sa dve zvezdice (ukoliko postoje u okviru uređaja) pogodni su za držanje prethodno smrznute hrane, za držanje ili pravljenje sladoleda i za pravljenje kockica leda.
- Odeljci označeni jednom, dvema i trima zvezdicama (ukoliko postoje u okviru uređaja) nisu pogodni za zamrzavanje sveže hrane.
- Ukoliko će uređaj biti prazan tokom dužeg vremenskog perioda, isključite ga, odledite, očistite i osušite, a zatim ostavite vrata uređaja otvorenim kako biste sprečili razvoj buđi u unutrašnjosti uređaja.

Održavanje i čišćenje

- Pre održavanja, isključite uređaj, ili prekinite dotok električne energije.
- Uređaj nemojte čistiti metalnim predmetima.
- Ne koristite oštre predmete, da bi uklonili led sa uređaja. Koristite plastična sredstva za struganje.²
- Redovno proveravajte odvod za odleđenu vodu u frižideru. Ukoliko je potrebno, očistite odvod. Ukoliko je odvod blokiran, voda će se sakupljati na dnu uređaja³

Instalacija uređaja

- Za priključivanje na električnu mrežu, pažljivo pratite uputstva data u specifičnim delovima uputstva.
- Raspakujte uređaj i proverite da li postoje na njemu

oštećenja. Ne povezujte uređaj na struju, ukoliko je oštećen. Moguća oštećenja odmah prijavite u mestu, gde ste ga kupili. U tom slučaju zadržite ambalažu uređaja.

- Preporučuje se, da sačekate najmanje četiri sata pre nego što priključite uređaj, kako bi se ulje vratilo u kompresor.
- Potrebno je obezbediti adekvatno strujanje vazduha oko uređaja, nepostojanje ovoga može dovesti do pregrevanja. Za postizanje odgovarajućeg protoka vazduha, pratite uputstva potrebna za instalaciju uređaja.
- Gde god je moguće, razmaknica mora biti postavljena između uređaja i zida, kako bi se izbeglo dodirivanje ili hvatanje za vruće delove (kompresor, kondenzator) kako bi se izbegle moguće opekotine.
- Uređaj ne sme biti postavljen blizu radijatora ili štednjaka.
- Pobrinite se da bude obezbeđen lak pristup glavnom utikaču i nakon postavljanja uređaja.

Servisiranje

- Bilo kakvo servisiranje uređaja, koje zahteva električne radove, treba da bude obavljen od strane kvalifikovanog električara ili kompetentne osobe.
- Samo ovlašćeni centar za servisiranje može obaviti popravke na uređaju, i mogu se koristiti samo originalni rezervni delovi.

Ušteda energije

- Ne stavljate vruću hranu u uređaj;
- Ne pakujte svu hranu zajedno, budući da to sprečava cirkulaciju vazduha;

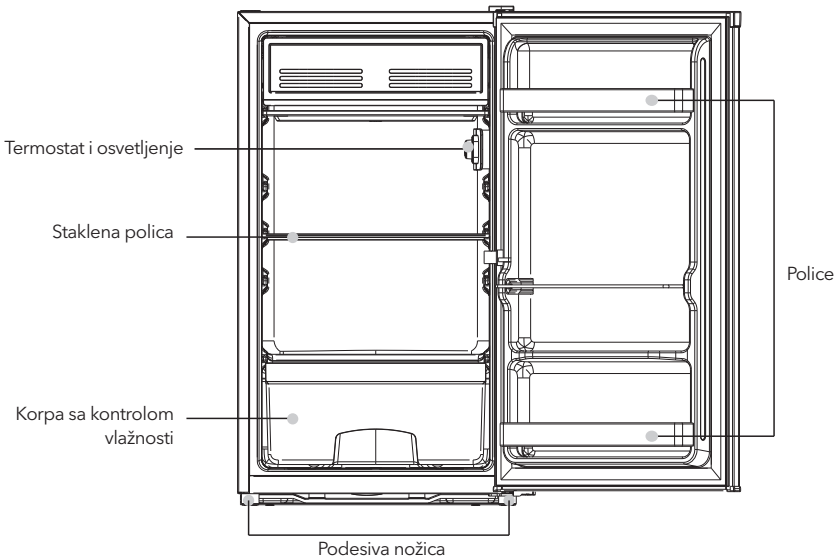
- Pobrinite se da hrana ne dotiče zadnji deo pregrade(a);
- Ukoliko nestane struje, ne otvarajte vrata;
- Ne otvarajte često vrata;
- Ne držite vrata otvorena drugo;
- Nemojte postavljati termostat na izuzetno niske temperature
- Potrebno je sve dodatne elemente, poput fioka, polica, polica u vratima uređaja, tamo držati u cilju smanjenja utroška energije.

¹ Ukoliko u uređaju postoji.

² Ukoliko postoji deo za zamrzavanje.

³ Ukoliko postoji deo za čuvanje sveže hrane

PREGLED

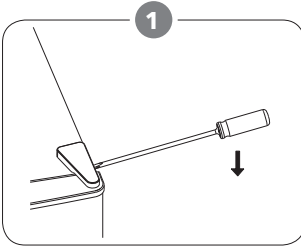


Ova ilustracija je samo okvirna, molimo vas da za detalje pogledajte svoj uređaj.

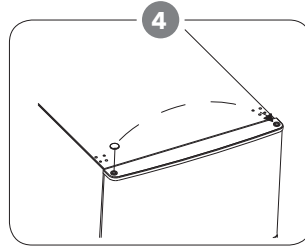
ZAMENA SMERA OTVARANJA VRATA

Potreban alat: Philips odvijač, ravni odvijač, šestougaoni ključ.

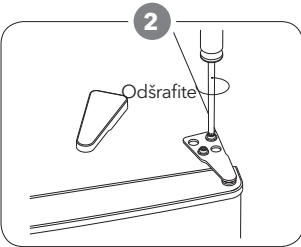
- Pobrinite se da uređaj bude isključen i prazan.
- Da biste skinuli vrata, potrebno je da uređaj nagnete unazad. Uređaj treba da bude postavljen na tvrdnu podlogu, kako se ne bi dogodilo da isklizne prilikom zamene položaja vrata.
- Svi uklonjeni delovi moraju biti sačuvani radi ponovnog instaliranja vrata.
- Uređaj nemojte stavljati u horizontalan položaj, jer to može oštetiti sistem za hlađenje.
- Preporučuje se da dve osobe učestvuju u montiranju.



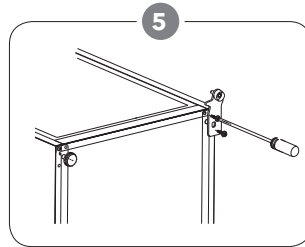
Uklonite gornji desni poklopac šarke.



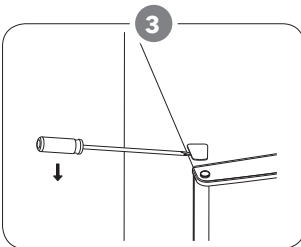
Pomerite poklopac sa leva nadesno. I zatim podignite gornja vrata i odložite ih na meku podlogu da bi sprečili stvaranje ogrebotina.



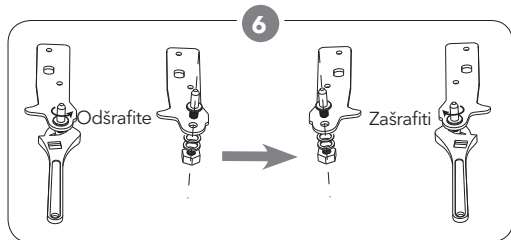
Odšrafite šrafove. Zatim uklonite podupirač šarke.



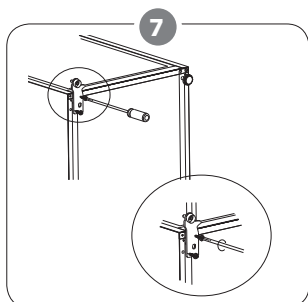
Odšrafite donju šarku. Zatim skinite nožice za podešavanje visine sa druge strane.



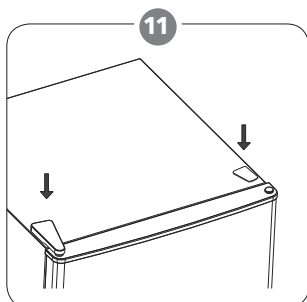
Uklonite gornji levi poklopac sa šrafa.



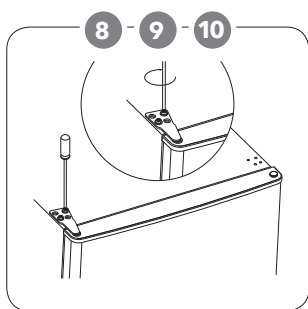
Odšrafite i skinite osovinu donje šarke pomoću ravnih odvijača, obrnite nosač i ponovo postavite osovinu.



Ponovo postavite nosač na osovinu donje šarke.
Ponovo postavite nožicu za podešavanje visine.



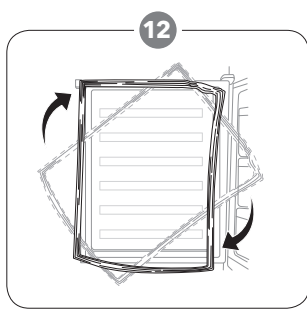
Ponovo postavite oblogu šarke i poklopac šrafa.



8. Ponovo postavite vrata. Pre nego što potpuno pričvrstite gornju šarku, postarajte se da vrata poravnate i po horizontalnoj i po vertikalnoj osi kako bi zaptivke nalegle sa svih strana.

9. Postavite nosač šarke i pričvrstite ga za gornji deo jedinice.

10. Ukoliko je potrebno, pričvrstite ključem.

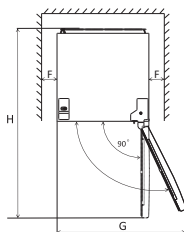
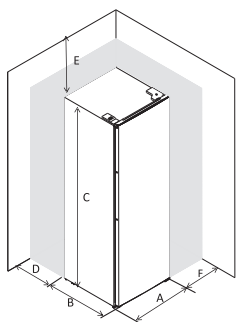


Uklonite zaptivke sa vrata frižidera i zamrzivača, a zatim ih zarotirajte i, nakon toga, ponovo postavite.

UGRADNJA UREĐAJA

Potrebe prostora

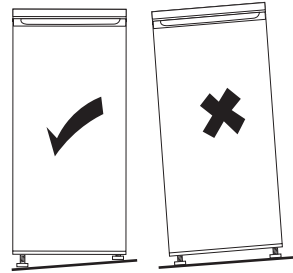
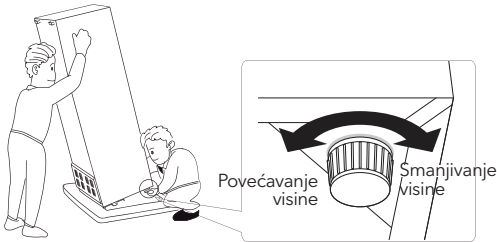
- Ostavite dovoljno mesta za otvaranje vrata.



A	480
B	450
C	850
D	min=50
E	min=50
F	min=50
G	960
H	930

Nivelacija uređaja

Kako biste ovo uradili, podesite dve podesne nožice s prednje strane uređaja. Ukoliko uređaj nije nivelisan, vrata i magnetna guma neće pravilno prijanjati.



Pozicioniranje

Postavite ovaj uređaj na mesto čija sobna temperatura odgovara klimatskoj klasi navedenoj na pločici sa podacima o uređaju:

Kod uređaja za rashlađivanje sa sledećim klimatskim klasama:

- prošireno umerena: ovaj uređaj za rashlađivanje je namenjen za upotrebu na sobnim temperaturama koje se kreću u opsegu od 10°C do 32°C (SN);
- umerena: ovaj uređaj za rashlađivanje je namenjen za upotrebu na sobnim temperaturama koje se kreću u opsegu od 16°C do 32°C (N);
- suptropska: ovaj uređaj za rashlađivanje je namenjen za upotrebu na sobnim temperaturama koje se kreću u opsegu od 16°C do 38°C (ST);
- tropska: ovaj uređaj za rashlađivanje je namenjen za upotrebu na sobnim temperaturama koje se kreću u opsegu od 16°C do 43°C (T);

LOKACIJA

Uređaj treba da bude postavljen daleko od izvora toplote, kao što su radijatori, bojleri, izlaganje direktnim sunčevim zracima itd. Postarajte se da vazduh slobodno cirkuliše oko zadnjeg dela frižidera, kako biste osigurali najbolju učinak. Ukoliko je uređaj postavljen ispod visećeg dela, minimalni razmak između vrha uređaja i visećeg

dela treba da bude bar 50 mm. Idealno bi bilo da uređaj ne bude postavljen ispod visećeg dela. Odgovarajuća nivelacija se postiže uz pomoć jedne ili više podesnih nožica, u zavisnosti od uređaja.

Nije predviđeno da se ovaj uređaj za rashlađivanje upotrebljava kao ugradni uređaj;

UPOZORENJE!

Prekidanje napajanja uređaja mora biti omogućeno; iz tog razloga, utičnica mora biti dostupna nakon postavljanja uređaja.

Povezivanje na struju

Pre uključivanja, proverite da napon i frekvencija prikazana na tablici specifikacije odgovaraju naponu struje domaćinstva. Uređaj mora biti uzemljen. Kabl za napajanje električnom energijom je opremljen kontaktom za ovu namenu. Ukoliko utičnica u domaćinstvu nema uzemljenje, priključite uređaj na izdvojeno uzemljenje u skladu sa trenutnim propisima; konsultujte se sa kvalifikovanim električarem.

Proizvođač ne snosi nikakvu odgovornost, ukoliko gore navedene preventivne mere nisu ispoštovane. Ovaj uređaj ispunjava uslove EEC direktiva.

SVAKODNEVNA UPOTREBA

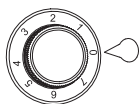
Prva upotreba

Čišćenje unutrašnjosti uređaja

Pre korišćenja uređaja po prvi put, očistite unutrašnjost i sve unutrašnje elemente mlakom vodom i neutralnim sapunom, kako biste uklonili tipičan miris novog proizvoda, a zatim ga dobro osušite

VAŽNO! Ne koristite deterdžente ili abrazivna sredstva, budući da mogu da oštete površinu.

Podešavanje temperature

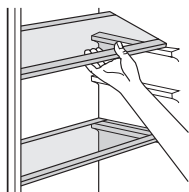


- Uključite svoj uređaj. Unutrašnju temperaturu reguliše termostat. Postoji 8 nivoa temperature, 1 je najtopliji nivo, 7 je najhladniji, i 0 znači da je uređaj isključen.
- Uređaj možda neće raditi na pravoj temperaturi, ako se nalazi u veoma toplom okruženju ili ako često otvarate vrata.

Svakodnevna upotreba

Police koje se mogu pomerati

Zidovi frižidera imaju niz žljebova, tako da se police mogu podešavati po želji.



Pozicioniranje policica u vratima

Kako bi se omogućilo držanje hrane ili pića u ambalaži različitih dimenzija, police na vratima se mogu postavljati na različitim visinama. Da podesite police, pratite sledeće korake:

- Korak 1: policu u vratima izvucite kako biste je izvadili.

- Korak 2: Odaberite odgovarajuću poziciju za policu i utisnite je u dve konveksne pločice sve dok je potpuno ne zablokirate.

Fioka za povrće

Fioka je adekvatna za držanje voća i povrća. Može se potpuno izvući.

Otapanje

Duboko zamrznuta ili zamrznuta hrana se, pre upotrebe, može otapati u odeljku za rashlađivanje ili na sobnoj temperaturi. Kako biste sprečili prelivanje kondenzovane vode prilikom otapanja u odeljku frižidera, smrznutu hranu stavite u tanjir ili činiju.

Korisni saveti

Saveti za čuvanje sveže hrane u frižideru

Kako biste dobili najbolji učinak:

- Ne čuvajte vruću hranu ili tečnosti koje isparavaju u frižideru
- Pokrijte ili uvijte hranu, naročito ako ima jak miris
- Rasporedite hranu tako da vazduh može da slobodno cirkuliše oko nje, so that air can circulate freely around it

Saveti za čuvanje hrane u frižideru

Korisni saveti:

- Meso (sve vrste): uvijte u polietilenske kese i stavite na staklene police iznad fioke za povrće.
- Radi sigurnosti, hranu na ovaj način čuvajte jedan dan, najviše dva.
- Kuvana hrana, hladna jela, itd...: treba ih pokriti i mogu se odložiti na bilo koju policu.
- Voće i povrće: treba da bude temeljno oprano i odloženo u fioke, namenjene za njihovo čuvanje.
- buter i sir: treba da budu stavljeni u specijalne posude koje ne propuštaju vazduh, ili zavijeni u aluminijumske folije ili polietilenske kese kako bi se uklonilo što više vazduha.
- Boce s mlekom/jogurtom: treba da budu zatvorene i da se čuvaju u policama na vratima.
- Banane, krompir, luk i beli luk, ukoliko nisu zapakovani, ne smeju biti čuvani u frižideru.

Čišćenje

Iz higijenskih razloga unutrašnjost uređaja, uključujući i unutrašnje elemente, treba čistiti redovno.



Uređaj ne sme biti povezan strujom tokom

čišćenja. Postoji opasnost od strujnog udara! Pre čišćenja uređaja, isključite ga i prekinite dotok električne energije, ili isključite automatsku sklopku ili osigurač. Uređaj nikako ne čistite paročištačem. Vлага može da se nakupi u električnim komponentama, opasnost od strujnog udara! Vrela isparenja mogu dovesti do oštećenja plastičnih delova. Uređaj mora biti сув pre ponovne upotrebe.

VAŽNO! Eterična ulja i organski rastvarači mogu nagristi plastične delove, na primer limunov sok, ili sok od pomorandžine kore, karboksilne kiseline, sredstva za čišćenje koja sadrže sircetnu kiselinu.

- Ne dozvolite da ovakve supstance dođu u kontakt sa delovima uređaja.
- Nemojte koristiti abrazivna sredstva za čišćenje
- Uklonite hranu iz zamrzivača. Hranu čuvajte na hladnom mestu, i dobro je pokrijte.
- Isključite uređaj i prekinite dotok električne energije, ili isključite automatsku sklopku ili osigurač.
- Očistite uređaj i unutrašnje elemente tkaninom i mlakom vodom. Nakon čišćenja isperite čistom vodom i osušite krpom.
- Nagomilavanje prašine na kondenzatoru povećava utrošak energije. Zato je potrebno jednom godišnje mekom četkom ili usisivačem pažljivo očistiti kondenzator pozicioniran na poledini uređaja.¹
- Nakon što sve bude suvo, ponovo uključite uređaj.

¹ Ukoliko je kondenzator pozicioniran na poledini uređaja.

Menjanje sijalice

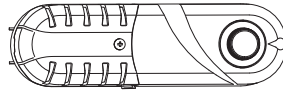
! OPREZ!

Pre zamene sijalice, trebalo bi da prekinete napajanje uređaja strujom.

Specifikacije sijalice su navedene na etiketi.

Pratite sledeće korake, kako biste zamenili sijalicu:

1. Postavite regulator temperature na "0" kako biste isključili uređaj.
2. Isključite aparat, kako biste bili sigurni, da uređaj nije povezan sa izvorom napajanja.
3. Uklonite šraf sa štitnika za sijalicu.
4. Skinite poklopac lampice ravnim odvijačem.
5. Odšrafite lampicu uz pomoć dva prsta.
6. Postavite novu lampicu rotiranjem u suprotnom smeru, a zatim ponovo postavite poklopac za lampicu.
7. Priključite uređaj na napajanje i okrenite točkić na odgovarajuću poziciju.



Otapanje zamrzivača

Vremenom će isparivač biti prekriven slojem leda. Njega treba ukloniti. Nikad ne koristite oštre metalne alate da biste skinuli led sa isparivača, budući da ga tako možete oštetiti. Međutim, ukoliko je sloj leda veoma debeo na isparivaču, proces odleđivanja treba obaviti na sledeći način:

- prekinite napajanje uređaja strujom;
- uklonite svu hranu iz uređaja, umotajte je u nekoliko slojeva novina i odložite je na hladno mesto;
- držite vrata otvorena, i postavite lavor ispod uređaja, kako bi se tu sakupljala odleđena voda;
- kada proces odleđivanja bude gotov, temeljno osušite

REŠAVANJE PROBLEMA

! OPREZ!



Pre rešavanja problema, prekinite napajanje električnom energijom. Samo kvalifikovani električar ili kompetentna osoba treba da reši problem koji nije naveden u ovom uputstvu.



VAŽNO! Postoje određeni zvukovi, koje uređaj proizvodi tokom normalne upotrebe (kompresor, rashladni deo uređaja).

Problem	Mogući uzrok	Rešenje
Uređaj ne radi	Regulator temperature je postavljen na "0".	Postavite regulator temperature na neki drugi broj, kako biste uključili uređaj.
	Uređaj nije priključen na strujno kolo.	Utaknite utikač.
	Osigurač je ispao ili je neispravan.	Proverite osigurač, zamenite ga ako je potrebno.
	Utičnica je neispravna.	Kvarove utikača treba da popravi električar.
Hrana je pretopla.	Temperatura nije pravilno podešena.	Molimo vas, pogledajte odeljak za osnovni nivo temperature.
	Vrata su bila otvorena duže vremena.	Držite vrata otvorenim samo onoliko, koliko je potrebno.
	Velika količina tople hrane je stavljena u uređaj u poslednja 24 sata.	Podesite regulator temperature na privremeno na nižu temperaturu.
	Uređaj je blizu izvora toplote.	Molimo vas, pogledajte odeljak za lokaciju i instalaciju.
Uređaj previše hladi	Regulator temperature je podešen na hladno.	Podesite regulator temperature na privremeno na višu temperaturu
Neobični zvukovi	Uređaj nije nivelisan.	Ponovo podesite nožice.
	Uređaj dodiruje zid ili druge predmete.	Malo pomerite uređaj.
	Deo, kao što je cevovod na zadnjoj strani uređaja, dodiruje druge delove uređaja ili zid.	Ukoliko je potrebno, pažljivo uklonite deo koji predstavlja prepreku.

Ukoliko se kvar pojavi ponovo, kontaktirajte Servisni centar.

Zaštita životne sredine

 Ovaj uređaj ne sadrži gasove, koji mogu oštetiti ozonski omotač, ni u sistemu za hlađenje, ni u materijalima za izolaciju. Uređaj ne bi trebalo odlagati zajedno sa gradskim ili kućnim otpadom. Izolaciona pena sadrži zapaljive gasove: uređaj bi trebalo odložiti u skladu sa propisima za uređaje, koje su izdale lokale vlasti. Izbegavajte pravljenje oštećenja dela za hlađenje, posebno dela za razmenu toplote. Materijali korišćeni za ovaj uređaj, mogu se reciklirati ukoliko su označeni simbolom za reciklažu. 

 Oznaka na proizvodu, ili njegovom pakovanju, ukazuje da ovaj proizvod ne sme biti tretiran kao  otpad nastao u domaćinstvu. Umesto toga, treba ga ostaviti na odgovarajućem mestu, na kojem se sakuplja električna i elektronska oprema. Osiguravanjem da je proizvod ispravno odložen, pomoćićete sprečavanju potencijalnih negativnih posledica po životnu sredinu i ljudsko zdravlje, koje inače mogu biti uzrokovane nepravilnim odlaganjem otpada ovog uređaja. Za više detalja o recikliranju ovog proizvoda, molimo vas da kontaktirate svoju lokalni organ za zaštitu životne sredine, preduzeće za odlaganje komunalnog otpada ili prodavnicu, u kojoj ste kupili proizvod.

Materijali ambalaže

Materijali označeni ovim simbolom mogu se reciklirati. Ambalažu odložite u odgovarajući konterjner za prikupljanje otpada za reciklažu.

Odlaganje uređaja

1. Prekinite napajanje uređaja strujom.
2. Odsecite kabl za napajanje i odložite ga.

**UPOZORENJE!**

Prilikom upotrebe, servisiranja i odlaganja uređaja, imajte u vidu oznaku žute ili narandžaste boje, sličnu onoj prikazanoj na slici levo, koja se nalazi na poledini uređaja (tabla ili kompresor na poledini uređaja). Ova oznaka predstavlja simbol rizika od požara. U cevima za rashladno sredstvo i u kompresoru se nalaze zapaljivi materijali. Molimo Vas da tokom upotrebe, servisiranja i odlaganja, uređaj držite dalje od izvora vatre.

LIST SA INFORMACIJAMA O PROIZVODU

DELEGIRANA UREDBA KOMISIJE (EU) 2019/2016

Naziv ili zaštitni znak dobavljača: Tesla

Adresa dobavljača: Tesla Electronics, Litijaska 47, 1000 Ljubljana, SI

Identifikaciona oznaka modela: RS0906H

Tip uređaja za rashlađivanje:

Uređaj sa niskim nivoom buke:	Ne	Tip dizajna:	samostojeći
Uređaj za čuvanje vina:	Ne	Ostali uređaji za rashlađivanje:	Ne

Opšti parametri proizvoda:

Parametar	Vrednost	Parametar	Vrednost
Ukupne dimenzije (u milimetrima)	Visina	850	Ukupna zapremina (dm ³ ili l)
	Širina	480	
	Dubina	450	
Indeks energetske efikasnosti – EEI	125	Klasa energetske efikasnosti	F
Emisija buke u vazduhu (dB(A) re 1 pW)	39	Klasa emisije buke u vazduhu	C
Godišnja potrošnja energije (kWh/a)	107	Klimatska klasa:	umerena, suptropska
Minimalna ambijentalna temperatura (°C), koja je odgovarajuća za ovaj uređaj za rashlađivanje	16	Maksimalna ambijentalna temperatura (°C), koja je odgovarajuća za ovaj uređaj za rashlađivanje	38
Podešavanja za zimu	Ne		

Parametri odeljaka:

Tip odeljka	Parametri odeljka i vrednosti				
	Zapremina odeljka (dm ³ ili l)	Preporučeno podešavanje temperature za optimizovano čuvanje hrane (°C) Ova podešavanja ne smeju biti u suprotnosti sa uslovima čuvanja definisanim u Aneksu IV, tabela 3	Kapacitet zamrzavanja (kg/24h)	Tip otapanja (automatsko otapanje=A, manuelno otapanje=M)	
Ostava	Ne	-	-	-	-
Ostava za vino	Ne	-	-	-	-
Podrum	Ne	-	-	-	-
Sveža hrana	Da	90,0	-	-	M
Rashlađivanje	Ne	-	-	-	-

0 zvezdica ili pravljenje leda	Ne	-	-	-	-
1 zvezdica	Ne	-	-	-	-
2 zvezdice	Ne	-	-	-	-
3 zvezdice	Ne	-	-	-	-
4 zvezdice	Ne	-	-	-	-
Odeljak sa 2 zvezdice	Ne	-	-	-	-
Odeljak sa varijabilnom temperaturom	-	-	-	-	-
Za odeljke sa 4 zvezdice					
Prostor za brzo zamrzavanje			Ne		
Parametri izvora osvetljenja:					
Tip izvora osvetljenja			LED		
Klasa energetske efikasnosti			-		
Minimalno trajanje garancije koju daje proizvođač: 24 meseca					
Dodatne informacije:					
Link ka veb-sajtu proizvođača gde se mogu pronaći informacije iz tačke 4(a) Aneksa Uredbe Komisije (EU) 2019/2019: tesla.info					

TESLA

tesla.info

