



EN
DE
ES
FR
IT
NL
PT

SPINWAVE® R5 ROBOTIC VACUUM | MODELS 3552N, 3475N

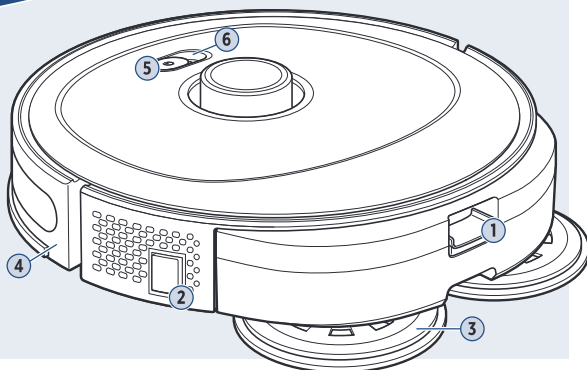
Docking and Charging Your Robot	2	Mop Mode.....	5
Connecting to the App	2	Cleaning the Brush Roll	7
Before You Clean.....	3	Replacing the Edge Cleaning Brush.....	8
Mapping	3	Cleaning the Sensors.....	8
Scheduled Cleaning	3	Storing Your Robot.....	8
Dry Vacuum Mode.....	3	Troubleshooting.....	8

What's In The Box?



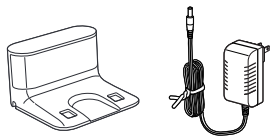
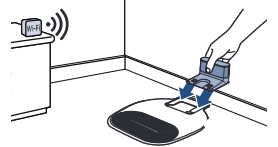
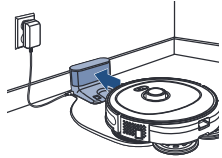
Product View

1. Tank Release Button
2. Power Switch
3. Mop Pads
4. Bumper
5. Play/Pause Button
6. Home Button



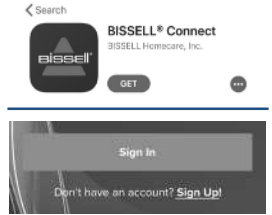
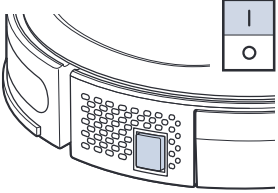
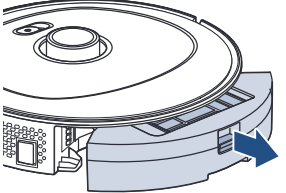
Docking and Charging Your Robot

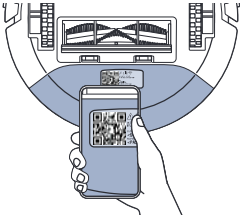
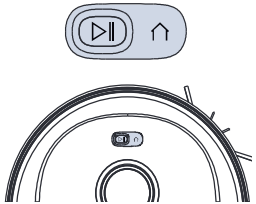
Note: The dock and tray must be installed on a hard surface. The robot's soft surface sensors prevent it from cleaning carpets and area rugs in mop mode. Be sure the device is near your WiFi router and the robot is fully charged or in the dock during the pairing process.

		
<p>1. Remove bottom cover of charging base and plug in power adapter. Excess cord can be wrapped inside the dock. Replace cover and plug into the wall outlet.</p>	<p>2. Place the tray against a wall and tip to slide the dock into the tray.</p>	<p>3. Turn robot ON and place on the dock. The first charge will take 5-6 hours.</p>

Connecting to the App

Download the BISSELL Connect App to customize your clean. Create cleaning zones or keep out zones, schedule cleanings, view the robot's cleaning path, track the cleaning history, view notifications, troubleshoot and more.

		
<p>1. Download the BISSELL Connect App from the App Store or Google Play. Open the app and sign in or create a new login.</p>	<p>2. Make sure you're near your WiFi router before turning the robot ON (I). From the app, select "Have a BISSELL Connected Product? Connect it now." Choose "SpinWave R5" from the menu.</p>	<p>3. Remove the dirt bin and turn the robot over to access the setup QR code.</p>

	
<p>4. Scan the QR code and follow the instructions in the app to pair.</p>	<p>5. To pair your robot, press and hold the play + home buttons for 3 seconds.</p>