



Message Implementation Guideline

## **VDA 4990 T2 - GLOBAL INVRPT**

based on

### **INVRPT**

Inventory report message

### **UN D.13A S3**

Version: V 1.0 - 2014  
Variant: Conti  
Issue date: 30.04.2014  
Author: CONTINENTAL



**Structure / Table of Contents**

Tag	St	MaxOcc	Content
UNA	O	1	Service string advice UNA:+.?'
UNB	M	1	Interchange header UNB+UNOC:3+OD012345:59:123+987654321:1:LAFES+071205:1446+144659+++++1'
UNH	M	1	Message header UNH++INVRPT:D:13A:UN:GAVJ10'
BGM	M	1	Beginning of message BGM+35::6:PRO++9'
DTM	M	1	Message date DTM+137:20140808:102'
SG2	R	1	Warehouse manager
NAD	M	1	Warehouse manager NAD+WH+123::91++Continental Automotive GmbH:Name2+Siemensstraße 12:Street2+Regensburg++93055+DE'
SG2	R	1	Receiver of the inventory report
NAD	M	1	Name and address NAD+GM+Identifier::92++Name1:Name2+Street1:Street2+City++12345+DE'
SG2	D	1	Ship to
NAD	M	1	Ship to's name and address NAD+ST+Identifier::92++Name1:Name2+Street1:Street2+City++12345+DE'
LOC	O	1	Place of discharge LOC+11+Abladestelle Id::92:Abladestelle'
SG9	R	9999999	Article
LIN	M	1	Line item LIN+1++123ABC:IN'
PIA	O	1	Additional product id PIA+1+ZusätzlicheProduktidentifikation:SA+ZusätzlicheProduktidentifikation:HS+ZusätzlicheProduktidentifikation:EC+ZusätzlicheProduktidentifikation:AB+ZusätzlicheProduktidentifikation:CL'
ALI	O	1	Country of origin ALI+DE'
DTM	O	1	Design revision date DTM+380::102'
DTM	O	1	Engineering change date DTM+60::102'
DTM	D	3	Production date, best before date, expiration date DTM+94:20130807:102'
SG12	D	9999	Stock movement
INV	M	1	Inventory management related details INV+1++1'
QTY	M	1	Movement quantity QTY+156:100:PCE'
QTY	O	1	Resulting calculated stock quantity QTY+145:100:PCE'
LOC	R	1	Warehouse / storage facility LOC+18+X'
DTM	D	1	Date/time/period DTM+179:20140324:102'
SG15	O	10	Delivery note number, for deliveries from the warehouse

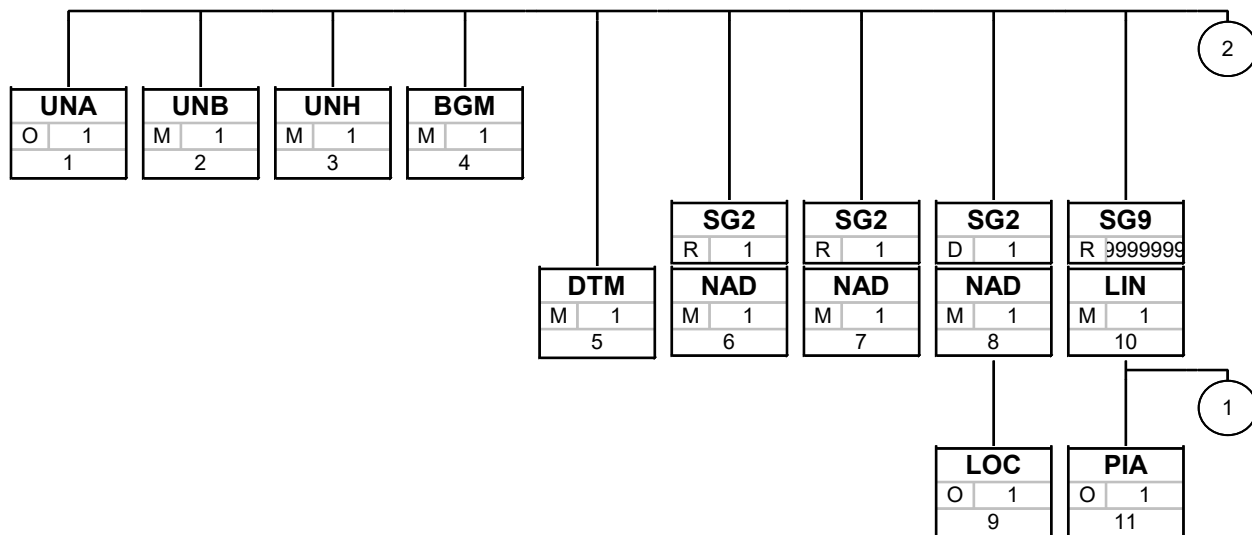
MaxOcc = Maximum occurrence of the segment/group St = Status: M=Mandatory, C=Conditional, R=Required, O=Optional, D=Dependent, A=Advised, N=Not used



Tag	St	MaxOcc	Content
RFF	M	1	Delivery note number, for deliveries from the warehouse RFF+AAU:9'
DTM	O	1	Reference document date/time DTM+171'
SG15	O	1	Goods receipt message number
RFF	M	1	Goods receipt message number RFF+ALO:9'
DTM	O	1	Reference document date/time DTM+171'
SG15	O	1	General reference for stock entry - aggregation number
RFF	M	1	General reference for stock entry - aggregation number RFF+TN:9'
DTM	O	1	Reference document date/time DTM+171'
SG15	O	1	Original delivery note number
RFF	M	1	Original delivery note number RFF+DQ:9'
DTM	O	1	Reference document date/time DTM+171'
SG15	O	10	Reference documents Order reference
RFF	M	1	Order reference RFF+ON:9'
DTM	O	1	Reference document date/time DTM+171'
SG12	D	9999	Inventory balance per individual warehouse / condition / different stocks only with PROACT, for ACS only Consi-stock
INV	R	1	Inventory management related details INV+N/A'
QTY	M	9	Current stock quantity QTY+145:4000:PCE'
QTY	O	1	Previously reported stock quantity QTY+18:X:04'
LOC	R	5	Warehouse LOC+18+X:::X'
DTM	O	1	Message date of the previous message DTM+127:X:102'
UNT	M	1	Message trailer UNT+'
UNZ	M	1	Interchange trailer UNZ+1+INTERCHANGE 1'

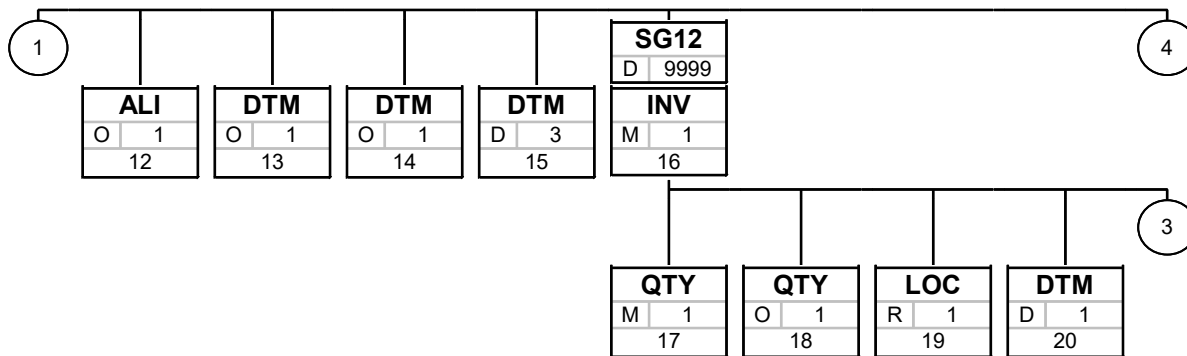
MaxOcc = Maximum occurrence of the segment/group St = Status: M=Mandatory, C=Conditional, R=Required, O=Optional, D=Dependent, A=Advised, N=Not used

**Branching Diagram of Used Segments/Groups**



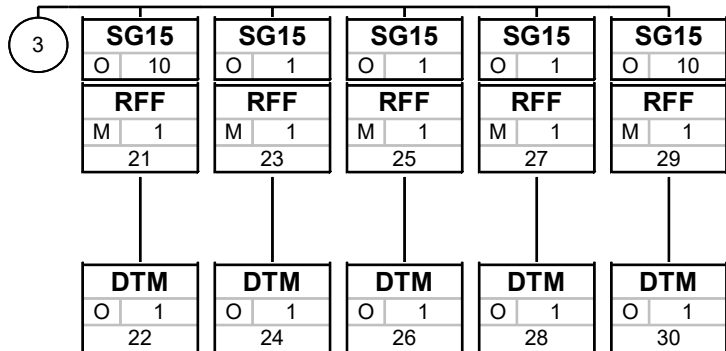
Tag
St MaxOcc
No

Tag = Segment/Group Tag  
 St = Status: M=Mandatory, C=Conditional, R=Required, O=Optional, D=Dependent, A=Advised, N=Not used  
 MaxOcc = Maximum occurrence of the segment/group  
 No = Consecutive segment number



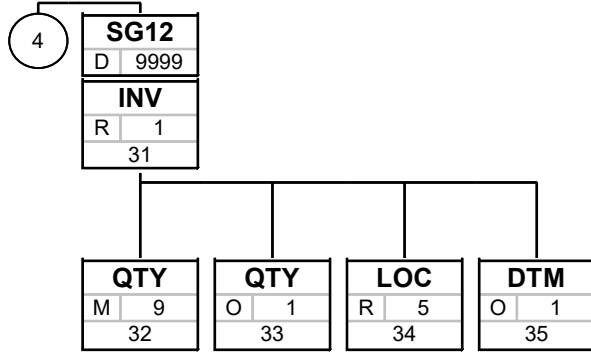
Tag
St MaxOcc
No

Tag = Segment/Group Tag  
 St = Status: M=Mandatory, C=Conditional, R=Required, O=Optional, D=Dependent, A=Advised, N=Not used  
 MaxOcc = Maximum occurrence of the segment/group  
 No = Consecutive segment number



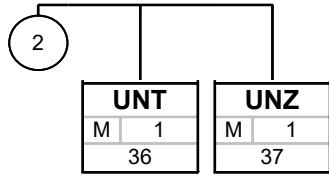
Tag
St MaxOcc
No

Tag = Segment/Group Tag  
 St = Status: M=Mandatory, C=Conditional, R=Required, O=Optional, D=Dependent, A=Advised, N=Not used  
 MaxOcc = Maximum occurrence of the segment/group  
 No = Consecutive segment number



Tag
St MaxOcc
No

Tag = Segment/Group Tag  
 St = Status: M=Mandatory, C=Conditional, R=Required, O=Optional, D=Dependent, A=Advised, N=Not used  
 MaxOcc = Maximum occurrence of the segment/group  
 No = Consecutive segment number



Tag
St MaxOcc
No

Tag = Segment/Group Tag  
 St = Status: M=Mandatory, C=Conditional, R=Required, O=Optional, D=Dependent, A=Advised, N=Not used  
 MaxOcc = Maximum occurrence of the segment/group  
 No = Consecutive segment number



## Segments

Tag	St	MaxOcc	
-----	----	--------	--

### UNA

O                    1 Service string advice

EDIFACT			Conti			
Tag	Name	St	Format	St	Format	Usage / Remark
UNA1	Component data element separator	M	an1	M	an1	Colon
UNA2	Data element separator	M	an1	M	an1	Plus sign
UNA3	Decimal notation	M	an1	M	an1	Full stop
UNA4	Release indicator	M	an1	M	an1	Question mark
UNA5	Reserved for future use	M	an1	M	an1	
UNA6	Segment terminator	M	an1	M	an1	Apostrophe

**Remark:**

**Example:** UNA: + . ? '

MaxOcc = Maximum occurrence of the segment/group    St = Status: M=Mandatory, C=Conditional, R=Required, O=Optional, D=Dependent, A=Advised, N=Not used



Tag	St	MaxOcc			
<b>UNB</b>	M	1	<b>Interchange header</b>		

EDIFACT			Conti		
Tag	Name	St Format	St	Format	Usage / Remark
S001	Syntax identifier	M	M		
0001	Syntax identifier	M a4	M	a4	<b>UNOA UN/ECE level A</b> <b>UNOB UN/ECE level B</b> <b>UNOC UN/ECE level C</b> <b>UNOD UN/ECE level D</b>
0002	Syntax version number	M n1	M	n1	<b>3 Version 3</b>
S002	Interchange sender	M	M		
0004	Sender identification	M an..35	M	an..35	Unique ID of the sender in the data transmission network or system.
0007	Partner identification code qualifier	C an..4	O	an..4	
0008	Address for reverse routing	C an..14	O	an..14	Address of an application or internal system at sender's site to which reply messages should be routed.
S003	Interchange recipient	M	M		
0010	Recipient identification	M an..35	M	an..35	Unique ID of the receiver in the data transmission network or system.
0007	Partner identification code qualifier	C an..4	O	an..4	
0014	Routing address	C an..14	O	an..14	Address of an application or an internal system at receiver's side: some OEMs generate delivery calls, etc. in different ERP systems. In this case, the despatch advice received from the supplier needs to be forwarded to the respective ERP system. In principle, EDIFACT refers to the UNB segment for a return address (section completed during delivery call) and a forwarding address (to be included in the despatch advice). Criteria for system change: Customer number, plant/work and unloading location The customer must submit an allocation table so that the supplier can store and apply these rules!
S004	Date/time of preparation	M	M		
0017	Date of preparation	M n6	M	n6	Format YYMMDD
0019	Time of preparation	M n4	M	n4	Format HHMM
0020	Interchange control reference	M an..14	M	an..14	Unique ID of an interchange.
S005	Recipient's reference, password		N		
0022	Recipient's reference/password	an..14	N		Not used
0025	Recipient's reference/password qualifier	an2	N		Not used
0026	Application reference	an..14	N		Not used
0029	Processing priority code	a1	N		Not used
0031	Acknowledgement request	n1	N		Not used
0032	Communications agreement ID	an..35	N		Not used
0035	Test indicator	C n1	O	n1	<b>1 Interchange is a test</b> Only to be used for data interchange test purposes. Omit this element for valid interchanges

**Remark:**

**Example:** UNB+UNOC:3+OD012345:59:123+987654321:1:LAFES+071205:1446+144659+++++1'

MaxOcc = Maximum occurrence of the segment/group St = Status: M=Mandatory, C=Conditional, R=Required, O=Optional, D=Dependent, A=Advised, N=Not used

Tag	St	MaxOcc	
<b>UNH</b>	M	1	Message header

		EDIFACT	Conti		
Tag	Name	St Format	St	Format	Usage / Remark
0062	Message reference number	M an..14	M	an..14	Message reference number
S009	Message identifier	M	M		
0065	Message type	M an..6	M	an..6	<b>INVRPT Inventory report message</b>
0052	Message version number	M an..3	M	an..3	<b>D Draft version/UN/EDIFACT Directory</b>
0054	Message release number	M an..3	M	an..3	<b>13A Release 2013 - A</b>
0051	Controlling agency	M an..2	M	an..2	<b>UN UN/CEFACT</b>
0057	Association assigned code	C an..6	R	an..6	
0068	Common access reference	an..35	N		Not used
S010	Status of the transfer		N		
0070	Sequence of transfers	n..2	N		Not used
0073	First and last transfer	a1	N		Not used

**Remark:**

**Example:** UNH++INVRPT:D:13A:UN:GAVJ10'

Tag	St	MaxOcc	
<b>BGM</b>	M	1	Beginning of message

		EDIFACT	Conti		
Tag	Name	St Format	St	Format	Usage / Remark
C002	Document/message name	C	R		
1001	Document name code	C an..3	R	an..3	35 - Stock report, based on the calculated stocks 78 - Stock movement detection (additions, disposals and internal transfers) <b>35 Inventory report</b> <b>78 Inventory movement advice</b>
1131	Code list identification code	an..17	N		- Not used
3055	Code list responsible agency code	C an..3	O	an..3	<b>6 UN/ECE (United Nations - Economic Commission for Europe)</b> <b>272 Joint Automotive Industry agency</b>
1000	Process description, only for PROACT	C an..35	O	an..35	<b>Process description, only for PROACT</b>
C106	Document/message identification	C	R		
1004	Document identifier	C an..17	R	an..17	Message number of the inventory report or movement advice
1056	Version identifier	an..9	N		Not used
1060	Revision identifier	an..6	N		Not used
1225	Message function code	C an..3	O	an..3	<b>9 Original</b>
4343	Response type code	an..3	N		Not used
1373	Document status code	an..3	N		Not used

**Remark:**

**Example:** BGM+35::6:PRO++9'

MaxOcc = Maximum occurrence of the segment/group St = Status: M=Mandatory, C=Conditional, R=Required, O=Optional, D=Dependent, A=Advised, N=Not used

Tag	St	MaxOcc
-----	----	--------

**DTM** M 1 Message date

**Message date**

EDIFACT			Conti		
Tag	Name	St Format	St	Format	Usage / Remark
C507	Date/time/period	M	M		
2005	Date or time or period function code qualifier	M an..3	M	an..3	<b>137 Document issue date time</b>
2380	Date or time or period text	C an..14	R	an..14	
2379	Date or time or period format code	C an..3	R	an..3	<b>102 CCYYMMDD</b> <b>203 CCYYMMDDHHMM</b>

**Remark:**  
Message date is equal / synonymous to date / time of the inventory report.

**Example:** DTM+137:20140808:102'



Tag	St	MaxOcc	
<b>SG2</b>	R	1	<b>Warehouse manager</b>
<b>Warehouse manager</b>			
<b>NAD</b>	M	1	<b>Warehouse manager</b>
<b>Warehouse manager</b>			

EDIFACT			Conti		
Tag	Name	St Format	St	Format	Usage / Remark
3035	Party function code qualifier	M an..3	M	an..3	<b>WH Warehouse keeper</b>
C082	Party identification details	C	R		
3039	Party identifier	M an..20	R	an..20	Unique identifier of business partner (customer number, supplier number, DUNS number, etc.).
1131	Code list identification code	an..17	N		Not used
3055	Code list responsible agency code	C an..3	R	an..3	Code specifying the agency responsible for a code list. <b>91 Assigned by seller or seller's agent</b>
C058	Name and address		N		
3124	Name and address description	M an..35	M	an..35	
3124	Name and address description	an..35	N		Not used
3124	Name and address description	an..35	N		Not used
3124	Name and address description	an..35	N		Not used
3124	Name and address description	an..35	N		Not used
C080	Party name	C	O		
3036	Party name	M an..35	M	an..35	Single text line for party name
3036	Party name	C an..35	O	an..35	see 3036 # 1
3036	Party name	an..70	N		Not used
3036	Party name	an..70	N		Not used
3036	Party name	an..70	N		Not used
3045	Party name format code	an..3	N		Not used
C059	Street	C	O		
3042	Street and number or post office box identifier	M an..35	M	an..35	Part of address identifying the location of a building, normally given together with street
3042	Street and number or post office box identifier	C an..35	O	an..35	see 3042 # 1
3042	Street and number or post office box identifier	an..35	N		Not used
3042	Street and number or post office box identifier	an..35	N		Not used
3164	City name	C an..35	O	an..35	The name of the city, town, or village of this address.
C819	Country subdivision details		N		
3229	Country subdivision identifier	C an..9	C	an..9	
1131	Code list identification code	an..17	N		Not used
3055	Code list responsible agency code	an..3	N		Not used
3228	Country subdivision name	an..70	N		Not used
3251	Postal identification code	C an..17	O	an..17	Identifier of one or more address data properties according to the postal service of the respective country
3207	Country identifier	C a2	O	a2	Provides the country part of an address using a code. Use ISO3166 two alpha code.

**Remark:**

**Example:** NAD+WH+123:::91++Continental Automotive GmbH:Name2+Siemensstraße 12:Street2+Regensburg++93055+DE'

MaxOcc = Maximum occurrence of the segment/group St = Status: M=Mandatory, C=Conditional, R=Required, O=Optional, D=Dependent, A=Advised, N=Not used



Tag	St	MaxOcc
-----	----	--------

**SG2** R 1 Receiver of the inventory report  
Receiver of the inventory report

**NAD** M 1 Name and address

EDIFACT			Conti		
Tag	Name	St Format	St	Format	Usage / Remark
3035	Party function code qualifier	M an..3	M	an..3	<b>GM Inventory controller</b>
C082	Party identification details	C	R		
3039	Party identifier	M an..20	R	an..20	Unique identifier of business partner (customer number, supplier number, DUNS number, etc.).
1131	Code list identification code	an..17	N		Not used
3055	Code list responsible agency code	C an..3	R	an..3	Code specifying the agency responsible for a code list. <b>92 Assigned by buyer or buyer's agent</b>
C058	Name and address		N		
3124	Name and address description	M an..35	M	an..35	
3124	Name and address description	an..35	N		Not used
3124	Name and address description	an..35	N		Not used
3124	Name and address description	an..35	N		Not used
3124	Name and address description	an..35	N		Not used
C080	Party name	C	O		
3036	Party name	M an..35	M	an..35	Single text line for party name
3036	Party name	C an..35	O	an..35	see 3036 # 1
3036	Party name	an..70	N		Not used
3036	Party name	an..70	N		Not used
3036	Party name	an..70	N		Not used
3045	Party name format code	an..3	N		Not used
C059	Street	C	O		
3042	Street and number or post office box identifier	M an..35	M	an..35	Part of address identifying the location of a building, normally given together with street
3042	Street and number or post office box identifier	C an..35	O	an..35	see 3042 # 1
3042	Street and number or post office box identifier	an..35	N		Not used
3042	Street and number or post office box identifier	an..35	N		Not used
3164	City name	C an..35	O	an..35	The name of the city, town, or village of this address.
C819	Country subdivision details		N		
3229	Country subdivision identifier	C an..9	C	an..9	
1131	Code list identification code	an..17	N		Not used
3055	Code list responsible agency code	an..3	N		Not used
3228	Country subdivision name	an..70	N		Not used
3251	Postal identification code	C an..17	O	an..17	Identifier of one or more address data properties according to the postal service of the respective country
3207	Country identifier	C a2	O	a2	Provides the country part of an address using a code. Use ISO3166 two alpha code.

**Remark:**

**Example:** NAD+GM+Identifier::92++Name1:Name2+Street1:Street2+City++12345+DE'

MaxOcc = Maximum occurrence of the segment/group St = Status: M=Mandatory, C=Conditional, R=Required, O=Optional, D=Dependent, A=Advised, N=Not used

Tag	St	MaxOcc
-----	----	--------

**SG2** D 1 **Ship to**  
 Ship to

**NAD** M 1 **Ship to's name and address**  
 Ship to's name and address

EDIFACT			Conti		
Tag	Name	St Format	St	Format	Usage / Remark
3035	Party function code qualifier	M an..3	M	an..3	<b>ST Ship to</b>
C082	Party identification details	C	R		
3039	Party identifier	M an..20	R	an..20	Unique identifier of business partner (customer number, supplier number, DUNS number, etc.).
1131	Code list identification code	an..17	N		Not used
3055	Code list responsible agency code	C an..3	R	an..3	Code specifying the agency responsible for a code list. <b>92 Assigned by buyer or buyer's agent</b>
C058	Name and address		N		
3124	Name and address description	M an..35	M	an..35	
3124	Name and address description	an..35	N		Not used
3124	Name and address description	an..35	N		Not used
3124	Name and address description	an..35	N		Not used
3124	Name and address description	an..35	N		Not used
C080	Party name	C	O		
3036	Party name	M an..35	M	an..35	Single text line for specification of a name
3036	Party name	C an..35	O	an..35	Single text line for specification of a name
3036	Party name	an..70	N		Not used
3036	Party name	an..70	N		Not used
3036	Party name	an..70	N		Not used
3045	Party name format code	an..3	N		Not used
C059	Street	C	O		
3042	Street and number or post office box identifier	M an..35	M	an..35	Part of address identifying the location of a building, normally given together with street
3042	Street and number or post office box identifier	C an..35	O	an..35	
3042	Street and number or post office box identifier	an..35	N		Not used
3042	Street and number or post office box identifier	an..35	N		Not used
3164	City name	C an..35	O	an..35	The name of the city, town, or village of this address.
C819	Country subdivision details		N		
3229	Country subdivision identifier	C an..9	C	an..9	
1131	Code list identification code	an..17	N		Not used
3055	Code list responsible agency code	an..3	N		Not used
3228	Country subdivision name	an..70	N		Not used
3251	Postal identification code	C an..17	O	an..17	Identifier of one or more address data properties according to the postal service of the respective country
3207	Country identifier	C a2	O	a2	Provides the country part of an address using a code. Use ISO3166 two alpha code. The codes of this codelist are documented in a separate document

**Remark:**

**Example:** NAD+ST+Identifier::92++Name1:Name2+Street1:Street2+City++12345+DE'

MaxOcc = Maximum occurrence of the segment/group St = Status: M=Mandatory, C=Conditional, R=Required, O=Optional, D=Dependent, A=Advised, N=Not used





Tag	St	MaxOcc
-----	----	--------

**SG2** D 1 Ship to  
Ship to

**LOC** O 1 Place of discharge  
Place of discharge

EDIFACT			Conti		
Tag	Name	St Format	St	Format	Usage / Remark
3227	Location function code qualifier	M an..3	M	an..3	<b>11 Place of discharge</b>
C517	Location identification	C	R		
3225	Location identifier	C an..35	R	an..35	Identifier of location, site, etc.
1131	Code list identification code	an..17	N		Not used
3055	Code list responsible agency code	C an..3	O	an..3	Code specifying the agency responsible for a code list. <b>92 Assigned by buyer or buyer's agent</b>
3224	Location name	C an..256	O	an..256	Name of place/location; if necessary, use complete address.
C519	Related location one identification		N		
3223	First related location identifier	an..35	N		Not used
1131	Code list identification code	an..17	N		Not used
3055	Code list responsible agency code	an..3	N		Not used
3222	First related location name	an..70	N		Not used
C553	Related location two identification		N		
3233	Second related location identifier	an..35	N		Not used
1131	Code list identification code	an..17	N		Not used
3055	Code list responsible agency code	an..3	N		Not used
3232	Second related location name	an..70	N		Not used
5479	Relation code	an..3	N		Not used

**Remark:**  
Location where goods are unloaded from transport vehicle.

**Example:** LOC+11+Abladestelle Id::92:Abladestelle'

MaxOcc = Maximum occurrence of the segment/group St = Status: M=Mandatory, C=Conditional, R=Required, O=Optional, D=Dependent, A=Advised, N=Not used

Tag	St	MaxOcc
-----	----	--------

**SG9** R 9999999 **Article**  
**Article**

**LIN** M 1 **Line item**

EDIFACT			Conti		
Tag	Name	St Format	St	Format	Usage / Remark
1082	Line item identifier	C n..6	O	n..6	Line number
1229	Action code	an..3	N		- Not used
C212	Item number identification	C	R		
7140	Item identifier	C an..35	R	an..35	Article Number
7143	Item type identification code	C an..3	R	an..3	<b>IN Buyer's item number</b>
1131	Code list identification code	an..17	N		Not used
3055	Code list responsible agency code	an..3	N		Not used
C829	Sub-line information		N		
5495	Sub-line indicator code	an..3	N		Not used
1082	Line item identifier	an..6	N		Not used
1222	Configuration level number	n..2	N		Not used
7083	Configuration operation code	an..3	N		Not used

**Remark:**

**Example:** LIN+1++123ABC:IN'

MaxOcc = Maximum occurrence of the segment/group St = Status: M=Mandatory, C=Conditional, R=Required, O=Optional, D=Dependent, A=Advised, N=Not used



Tag	St	MaxOcc
-----	----	--------

**SG9** R 9999999 **Article**  
**Article**

**PIA** O 1 **Additional product id**

EDIFACT			Conti		
Tag	Name	St Format	St	Format	Usage / Remark
4347	Product identifier code qualifier	M an..3	M	an..3	<b>1 Additional identification</b>
C212	Item number identification	M	M		
7140	Item identifier	C an..35	R	an..35	ID number
7143	Item type identification code	C an..3	R	an..3	EC - Änderungsstand (Konstruktionsänderungsstand) DR - Teilegenerationsstand (ändert sich mit dem Werkzeug, das zur Herstellung des Teils verwendet wurde) AG - Softwarestand AB - Versorgungsgruppe bei BMW - Teilmenge der Abrufgruppe BT - Hardwarestand EC - Engineering change status DR - Parts generation status (changes with the tool used in the production of the part) AG - Software status AB - Supply group at BMW - subset of the call off group BT - Hardware status <b>SA Supplier's article number</b> <b>EC Engineering change level</b> <b>AG Software revision number</b> <b>DR Drawing revision number</b> <b>AB Assembly</b> <b>EN International Article Numbering Association (EAN)</b> <b>MN Model number</b> <b>CL Colour number</b> <b>UA Ultimate customer's article number</b> <b>RY Record keeping of model year</b> <b>HS Harmonised system</b> <b>BT Technical phase</b> <b>NB Batch number</b>
1131	Code list identification code	an..17	N		Not used
3055	Code list responsible agency code	an..3	N		Not used
C212	Drawing/design revision number	C	O		
7140	Item identifier	C an..35	R	an..35	ID Nummer ID number
7143	Item type identification code	C an..3	R	an..3	Codes siehe C212#1/DE 7143 For codes, see C212#1/DE 7143
1131	Code list identification code	an..17	N		Not used
3055	Code list responsible agency code	an..3	N		Not used
C212	Engineering Change Number	C	O		
7140	Item identifier	C an..35	R	an..35	ID Nummer ID number
7143	Item type identification code	C an..3	R	an..3	Codes siehe C212#1/DE 7143 For codes, see C212#1/DE 7143
1131	Code list identification code	an..17	N		Not used
3055	Code list responsible agency code	an..3	N		Not used

MaxOcc = Maximum occurrence of the segment/group St = Status: M=Mandatory, C=Conditional, R=Required, O=Optional, D=Dependent, A=Advised, N=Not used

EDIFACT			Conti		
Tag	Name	St Format	St	Format	Usage / Remark
C212	General specification number	C	O		
7140	Item identifier	C an..35	R	an..35	ID Nummer ID number
7143	Item type identification code	C an..3	R	an..3	Codes siehe C212#1/DE 7143 For codes, see C212#1/DE 7143
1131	Code list identification code	an..17	N		Not used
3055	Code list responsible agency code	an..3	N		Not used
C212	Colour number	C	O		
7140	Item identifier	C an..35	R	an..35	ID Nummer ID number
7143	Item type identification code	C an..3	R	an..3	Codes siehe C212#1/DE 7143 For codes, see C212#1/DE 7143
1131	Code list identification code	an..17	N		Not used
3055	Code list responsible agency code	an..3	N		Not used

**Remark:**

The sequence of the individual IDs in C212 is free. The first C212 must however be filled. The remaining C212 are optional.

**Example:**

```
PIA+1+ZusätzlicheProduktidentifikation:SA+ZusätzlicheProduktidentifikation:HS+ZusätzlicheProduktidentifikation:EC+ZusätzlicheProduktidentifikation:AB+ZusätzlicheProduktidentifikation:CL'
```

Tag	St	MaxOcc	
-----	----	--------	--

<b>SG9</b>	R	9999999	Article
------------	---	---------	---------

Article

<b>ALI</b>	O	1	Country of origin
------------	---	---	-------------------

Country of origin

EDIFACT			Conti		
Tag	Name	St Format	St	Format	Usage / Remark
3239	Country of origin identifier	C a2	R	a2	Country Of Origin Coded
9213	Duty regime type code	an..3	N		Not used
4183	Special condition code	an..3	N		Not used
4183	Special condition code	an..3	N		Not used
4183	Special condition code	an..3	N		Not used
4183	Special condition code	an..3	N		Not used
4183	Special condition code	an..3	N		Not used

Remark:

Example: ALI+DE'

MaxOcc = Maximum occurrence of the segment/group St = Status: M=Mandatory, C=Conditional, R=Required, O=Optional, D=Dependent, A=Advised, N=Not used

Tag	St	MaxOcc	
-----	----	--------	--

**SG9** R 9999999 **Article**  
**Article**

**DTM** O 1 **Design revision date**  
**Design revision date**

EDIFACT			Conti		
Tag	Name	St Format	St	Format	Usage / Remark
C507	Date/time/period	M	M		
2005	Date or time or period function code qualifier	M an..3	M	an..3	User defined <b>380 Drawing revision date</b>
2380	Date or time or period text	C an..14	R	an..14	Design Revision Date
2379	Date or time or period format code	C an..3	R	an..3	<b>102 CCYYMMDD</b>

**Remark:**

**Example:** DTM+380:::102'

MaxOcc = Maximum occurrence of the segment/group St = Status: M=Mandatory, C=Conditional, R=Required, O=Optional, D=Dependent, A=Advised, N=Not used

Tag	St	MaxOcc	
-----	----	--------	--

**SG9** R 9999999 **Article**  
**Article**

**DTM** O 1 **Engineering change date**  
**Engineering change date**

EDIFACT			Conti		
Tag	Name	St Format	St	Format	Usage / Remark
C507	Date/time/period	M	M		
2005	Date or time or period function code qualifier	M an..3	M	an..3	<b>60 Engineering change level date</b>
2380	Date or time or period text	C an..14	R	an..14	Engineering Change Date
2379	Date or time or period format code	C an..3	R	an..3	<b>102 CCYYMMDD</b>

**Remark:**

**Example:** DTM+60:::102'

MaxOcc = Maximum occurrence of the segment/group St = Status: M=Mandatory, C=Conditional, R=Required, O=Optional, D=Dependent, A=Advised, N=Not used

Tag	St	MaxOcc
-----	----	--------

<b>SG9</b>	R	9999999	Article
------------	---	---------	---------

Article

<b>DTM</b>	D	3	Production date, best before date, expiration date
------------	---	---	--

Production date, best before date, expiration date

EDIFACT			Conti		
Tag	Name	St Format	St	Format	Usage / Remark
C507	Date/time/period	M	M		
2005	Date or time or period function code qualifier	M an..3	M	an..3	<b>94 Production/manufacture date</b> <b>36 Expiry date</b> <b>361 Product best before date time</b>
2380	Date or time or period text	C n..12	R	n..12	Date according to qualifier in DE 2005
2379	Date or time or period format code	C an..3	O	an..3	<b>102 CCYYMMDD</b>

**Remark:**

**Example:** DTM+94:20130807:102'

MaxOcc = Maximum occurrence of the segment/group St = Status: M=Mandatory, C=Conditional, R=Required, O=Optional, D=Dependent, A=Advised, N=Not used



Tag	St	MaxOcc	
<b>SG12</b>	D	9999	<b>Stock movement</b>
<b>Stock movement</b>			
<b>INV</b>	M	1	<b>Inventory management related details</b>

EDIFACT			Conti		
Tag	Name	St Format	St	Format	Usage / Remark
4501	Inventory movement direction code	C an..3	R	an..3	<b>1 Movement out of inventory</b> <b>2 Movement into inventory</b>
7491	Inventory type code	an..3	N		Not used
4499	Inventory movement reason code	C an..3	R	an..3	<b>1 Reception</b> <b>2 Delivery</b> <b>3 Scrapped parts</b> <b>4 Difference</b> <b>5 Property transfer within warehouse</b> <b>6 Inventory recycling</b> <b>7 Reversal of previous movement</b> <b>11 Consumption</b>
4503	Inventory balance method code	an..3	N		Not used
C522	Instruction		N		
4403	Instruction type code qualifier	an..3	N		Not used
4401	Instruction description code	an..3	N		Not used
1131	Code list identification code	an..17	N		Not used
3055	Code list responsible agency code	an..3	N		Not used
4400	Instruction description	an..35	N		Not used

**Remark:**

In a INVRPT message one can transmit either only movement data (this SG 12) or only Stock balance data (next SG 12).

**Example:** INV+1++1'

Tag	St	MaxOcc
-----	----	--------

**SG12** D 9999 **Stock movement**  
**Stock movement**

**QTY** M 1 **Movement quantity**  
**Movement quantity**

EDIFACT			Conti		
Tag	Name	St Format	St	Format	Usage / Remark
C186	Quantity details	M	M		
6063	Quantity type code qualifier	M an..3	M	an..3	<b>156 Bestandsbewegungsmenge</b>
6060	Quantity	M an..35	M	an..35	
6411	Measurement unit code	C an..3	O	an..3	Code specifying the unit of measurement, use UN/ECE Rec. 20 <b>C62 one</b> <b>PCE</b> <b>SET set</b> <b>MTR metre</b> <b>CMT centimetre</b> <b>MMT millimetre</b> <b>MTK square metre</b> <b>LEF leaf</b> <b>MTQ cubic metre</b> <b>LTR litre</b> <b>PR pair</b> <b>RO</b> <b>TNE tonne (metric ton)</b> <b>KGM kilogram</b> <b>GRM gram</b> <b>KMT kilometre</b> PCE and C62 are ynonymous for piece

**Remark:**

**Example:** QTY+156:100:PCE'



Tag	St	MaxOcc
-----	----	--------

**SG12** D 9999 **Stock movement**  
 Stock movement

**QTY** O 1 **Resulting calculated stock quantity**  
 Resulting calculated stock quantity

EDIFACT			Conti		
Tag	Name	St Format	St	Format	Usage / Remark
C186	Quantity details	M	M		
6063	Quantity type code qualifier	M an..3	M	an..3	<b>145 Aktueller Lagerbestand</b>
6060	Quantity	M an..35	M	an..35	
6411	Measurement unit code	C an..3	O	an..3	Maßeinheit, codiert gem. UN/ECE Rec. 20 <b>C62 one</b> <b>PCE</b> <b>SET set</b> <b>MTR metre</b> <b>CMT centimetre</b> <b>MMT millimetre</b> <b>MTK square metre</b> <b>LEF leaf</b> <b>MTQ cubic metre</b> <b>LTR litre</b> <b>PR pair</b> <b>RO</b> <b>TNE tonne (metric ton)</b> <b>KGM kilogram</b> <b>GRM gram</b> <b>KMT kilometre</b> PCE and C62 are anonymous for piece

**Remark:**

**Example:** QTY+145:100:PCE'

MaxOcc = Maximum occurrence of the segment/group St = Status: M=Mandatory, C=Conditional, R=Required, O=Optional, D=Dependent, A=Advised, N=Not used

Tag	St	MaxOcc	
-----	----	--------	--

**SG12** D 9999 **Stock movement**  
**Stock movement**

**LOC** R 1 **Warehouse / storage facility**  
**Warehouse / storage facility**

EDIFACT			Conti		
Tag	Name	St Format	St	Format	Usage / Remark
3227	Location function code qualifier	M an..3	M	an..3	<b>18 Warehouse</b>
C517	Location identification	C	R		
3225	Location identifier	C an..35	R	an..35	ID of the warehouse / storage facility. This may be a logical or virtual storage facility as well. Qualifier 152 will be sent for the complete Consi-stock
1131	Code list identification code	an..17	N		Not used
3055	Code list responsible agency code	an..3	N		Not used
3224	Location name	an..256	N		Not used
C519	Related location one identification		N		
3223	First related location identifier	an..35	N		Not used
1131	Code list identification code	an..17	N		Not used
3055	Code list responsible agency code	an..3	N		Not used
3222	First related location name	an..70	N		Not used
C553	Related location two identification		N		
3233	Second related location identifier	an..35	N		Not used
1131	Code list identification code	an..17	N		Not used
3055	Code list responsible agency code	an..3	N		Not used
3232	Second related location name	an..70	N		Not used
5479	Relation code	an..3	N		Not used

**Remark:**

**Example:** LOC+18+X'

MaxOcc = Maximum occurrence of the segment/group St = Status: M=Mandatory, C=Conditional, R=Required, O=Optional, D=Dependent, A=Advised, N=Not used

Tag	St	MaxOcc	
<b>SG12</b>	D	9999	<b>Stock movement</b>
<b>Stock movement</b>			
<b>DTM</b>	D	1	<b>Date/time/period</b>

EDIFACT			Conti		
Tag	Name	St Format	St	Format	Usage / Remark
C507	Date/time/period	M	M		
2005	Date or time or period function code qualifier	M an..3	M	an..3	<b>179 Buchungsdatum/-zeit</b>
2380	Date or time or period text	C n..12	R	n..12	Date / time of the stock movement respectively the booking.
2379	Date or time or period format code	C an..3	R	an..3	<b>102 CCYYMMDD</b>

**Remark:**  
Date / time of the stock movement, if different from message date.

**Example:** DTM+179:20140324:102'

Tag	St	MaxOcc
-----	----	--------

**SG15**      O                      10 **Delivery note number, for deliveries from the warehouse**  
**Delivery note number, for deliveries from the warehouse**

**RFF**            M                      1 **Delivery note number, for deliveries from the warehouse**  
**Delivery note number, for deliveries from the warehouse**

EDIFACT			Conti		
Tag	Name	St Format	St	Format	Usage / Remark
C506	Reference	M	M		
1153	Reference code qualifier	M an..3	M	an..3	Document Type Coded <b>AAU Despatch note document identifier</b>
1154	Delivery note number, for deliveries from the warehouse (if generated)	C an..17	R	an..17	Document Number <b>Delivery note number, for deliveries from the warehouse (if generated)</b>
1156	Document line identifier	an..6	N		Not used
1056	Version identifier	an..9	N		Not used
1060	Revision identifier	an..6	N		Not used

**Remark:**

**Example:** RFF+AAU:9'

Tag	St	MaxOcc
-----	----	--------

**SG15**      O                      10 **Delivery note number, for deliveries from the warehouse**  
**Delivery note number, for deliveries from the warehouse**

**DTM**              O                      1 **Reference document date/time**  
**Reference document date/time**

EDIFACT			Conti		
Tag	Name	St Format	St	Format	Usage / Remark
C507	Date/time/period	M	M		
2005	Date or time or period function code qualifier	M an..3	M	an..3	<b>171 Reference date/time</b>
2380	Date or time or period text	C an..14	R	an..14	Document Date/Time
2379	Date or time or period format code	C an..3	R	an..3	<b>102 CCYYMMDD</b> <b>203 CCYYMMDDHHMM</b>

**Remark:**

**Example:** DTM+171'

MaxOcc = Maximum occurrence of the segment/group    St = Status: M=Mandatory, C=Conditional, R=Required, O=Optional, D=Dependent, A=Advised, N=Not used

Tag	St	MaxOcc
-----	----	--------

**SG15** O 1 Goods receipt message number  
 Goods receipt message number

**RFF** M 1 Goods receipt message number  
 Goods receipt message number

EDIFACT			Conti		
Tag	Name	St Format	St	Format	Usage / Remark
C506	Reference	M	M		
1153	Reference code qualifier	M an..3	M	an..3	Document Type Coded <b>ALO Receiving advice number</b>
1154	Goods receipt message number	C an..17	R	an..17	Document Number <b>Goods receipt message number</b>
1156	Document line identifier	an..6	N		Not used
1056	Version identifier	an..9	N		Not used
1060	Revision identifier	an..6	N		Not used

**Remark:**

**Example:** RFF+ALO:9'



Tag	St	MaxOcc	
-----	----	--------	--

**SG15**      O                      1 Goods receipt message number  
**Goods receipt message number**

**DTM**              O                      1 Reference document date/time  
**Reference document date/time**

EDIFACT			Conti		
Tag	Name	St Format	St	Format	Usage / Remark
C507	Date/time/period	M	M		
2005	Date or time or period function code qualifier	M an..3	M	an..3	<b>171 Reference date/time</b>
2380	Date or time or period text	C an..14	R	an..14	Document Date/Time
2379	Date or time or period format code	C an..3	R	an..3	<b>102 CCYMMDD</b> <b>203 CCYMMDDHHMM</b>

**Remark:**

**Example:** DTM+171'

MaxOcc = Maximum occurrence of the segment/group    St = Status: M=Mandatory, C=Conditional, R=Required, O=Optional, D=Dependent, A=Advised, N=Not used

Tag	St	MaxOcc
-----	----	--------

**SG15** O 1 General reference for stock entry - aggregation number  
 General reference for stock entry - aggregation number

**RFF** M 1 General reference for stock entry - aggregation number  
 General reference for stock entry - aggregation number

EDIFACT			Conti		
Tag	Name	St Format	St	Format	Usage / Remark
C506	Reference	M	M		
1153	Reference code qualifier	M an..3	M	an..3	Document Type Coded <b>TN Transaction reference number</b>
1154	General reference for stock entry - aggregation number	C an..17	R	an..17	Document Number <b>General reference for stock entry - aggregation number</b>
1156	Document line identifier	an..6	N		Not used
1056	Version identifier	an..9	N		Not used
1060	Revision identifier	an..6	N		Not used

**Remark:**

**Example:** RFF+TN:9'

MaxOcc = Maximum occurrence of the segment/group St = Status: M=Mandatory, C=Conditional, R=Required, O=Optional, D=Dependent, A=Advised, N=Not used

Tag	St	MaxOcc
-----	----	--------

**SG15**      O                      1 **General reference for stock entry - aggregation number**  
**General reference for stock entry - aggregation number**

**DTM**              O                      1 **Reference document date/time**  
**Reference document date/time**

EDIFACT			Conti		
Tag	Name	St Format	St	Format	Usage / Remark
C507	Date/time/period	M	M		
2005	Date or time or period function code qualifier	M an..3	M	an..3	<b>171 Reference date/time</b>
2380	Date or time or period text	C an..14	R	an..14	Document Date/Time
2379	Date or time or period format code	C an..3	R	an..3	<b>102 CCYYMMDD</b>

**Remark:**

**Example:** DTM+171'

MaxOcc = Maximum occurrence of the segment/group    St = Status: M=Mandatory, C=Conditional, R=Required, O=Optional, D=Dependent, A=Advised, N=Not used

Tag	St	MaxOcc
-----	----	--------

**SG15** O 1 Original delivery note number  
Original delivery note number

**RFF** M 1 Original delivery note number  
Original delivery note number

EDIFACT			Conti		
Tag	Name	St Format	St	Format	Usage / Remark
C506	Reference	M	M		
1153	Reference code qualifier	M an..3	M	an..3	Document Type Coded <b>DQ Delivery note number</b>
1154	Original delivery note number Number of the delivery to the warehouse (for message for movements out of inventory that is generated parallel to a DESADV)	C an..17	R	an..17	Document Number <b>Original delivery note number Number of the delivery to the warehouse (for message for movements out of inventory that is generated parallel to a DESADV)</b>
1156	Document line identifier	an..6	N		Not used
1056	Version identifier	an..9	N		Not used
1060	Revision identifier	an..6	N		Not used

**Remark:**

**Example:** RFF+DQ:9'

Tag	St	MaxOcc
-----	----	--------

**SG15**      O                      1 **Original delivery note number**  
**Original delivery note number**

**DTM**              O                      1 **Reference document date/time**  
**Reference document date/time**

EDIFACT			Conti		
Tag	Name	St Format	St	Format	Usage / Remark
C507	Date/time/period	M	M		
2005	Date or time or period function code qualifier	M an..3	M	an..3	<b>171 Reference date/time</b>
2380	Date or time or period text	C an..14	R	an..14	Document Date/Time
2379	Date or time or period format code	C an..3	R	an..3	<b>102 CCYMMDD</b> <b>203 CCYMMDDHHMM</b>

**Remark:**

**Example:** DTM+171'

MaxOcc = Maximum occurrence of the segment/group    St = Status: M=Mandatory, C=Conditional, R=Required, O=Optional, D=Dependent, A=Advised, N=Not used

Tag	St	MaxOcc	
-----	----	--------	--

<b>SG15</b>	O	10	Reference documents Order reference
-------------	---	----	--

Reference documents  
Order reference

<b>RFF</b>	M	1	Order reference
------------	---	---	-----------------

Order reference

EDIFACT			Conti		
Tag	Name	St Format	St	Format	Usage / Remark
C506	Reference	M	M		
1153	Reference code qualifier	M an..3	M	an..3	Document Type Coded <b>ON Order document identifier, buyer assigned</b>
1154	Order reference	C an..17	R	an..17	Document Number <b>Order reference</b>
1156	Document line identifier	an..6	N		Not used
1056	Version identifier	an..9	N		Not used
1060	Revision identifier	an..6	N		Not used

**Remark:**

**Example:** RFF+ON:9'

Tag	St	MaxOcc
-----	----	--------

**SG15**      O                      10 **Reference documents**  
**Order reference**

**Reference documents**  
**Order reference**

**DTM**                      O                      1 **Reference document date/time**

**Reference document date/time**

EDIFACT			Conti		
Tag	Name	St Format	St	Format	Usage / Remark
C507	Date/time/period	M	M		
2005	Date or time or period function code qualifier	M an..3	M	an..3	<b>171 Reference date/time</b>
2380	Date or time or period text	C an..14	R	an..14	Document Date/Time
2379	Date or time or period format code	C an..3	R	an..3	<b>102 CCYYMMDD</b>

**Remark:**

**Example:** DTM+171'

MaxOcc = Maximum occurrence of the segment/group    St = Status: M=Mandatory, C=Conditional, R=Required, O=Optional, D=Dependent, A=Advised, N=Not used



Tag	St	MaxOcc	
-----	----	--------	--

**SG12**      D            9999 **Inventory balance per individual warehouse / condition / different stocks only with PROACT, for ACS only Consi-stock**  
**Inventory balance per individual warehouse / condition / different stocks only with PROACT, for ACS only Consi-stock**

**INV**            R            1 **Inventory management related details**

EDIFACT			Conti			
Tag	Name	St Format	St	Format	Usage / Remark	
4501	Inventory movement direction code	C an..3	R	an..3	Constant N/A as a place holder, no function: EDIFACT requires at least one data element in a segment.	
7491	Inventory type code	an..3	N		Not used	
4499	Inventory movement reason code	an..3	N		Not used	
4503	Inventory balance method code	an..3	N		Not used	
C522	Instruction		N			
4403	Instruction type code qualifier	an..3	N		Not used	
4401	Instruction description code	an..3	N		Not used	
1131	Code list identification code	an..17	N		Not used	
3055	Code list responsible agency code	an..3	N		Not used	
4400	Instruction description	an..35	N		Not used	

**Remark:**  
 In a INVRPT message one can transmit either only movement data (this SG 12) or only Stock balance data (next SG 12).

Trigger for a new INV segments are:  
 - Condition (available, reserved, QA ...)  
 - Storage facility / warehouse ( logical or physical)

**Example:** INV+N/A'





Tag	St	MaxOcc
-----	----	--------

**SG12** D 9999 **Inventory balance per individual warehouse / condition / different stocks only with PROACT, for ACS only Consi-stock**  
 Inventory balance per individual warehouse / condition / different stocks only with PROACT, for ACS only Consi-stock

**QTY** M 9 **Current stock quantity**  
 Current stock quantity

EDIFACT			Conti		
Tag	Name	St Format	St	Format	Usage / Remark
C186	Quantity details	M	M		
6063	Quantity type code qualifier	M an..3	M	an..3	145 - Endbestand <b>145 Actual stock</b>
6060	Quantity	M an..35	M	an..35	Stock quantity in this inventory
6411	Measurement unit code	C an..3	O	an..3	Quantity (to be) Despatched Measure Unit Specifier Code specifying the unit of measurement, use UN/ECE Rec. 20 Maßeinheit, codiert gem. UN/ECE Rec. 20 <b>C62 one</b> <b>PCE</b> <b>SET set</b> <b>MTR metre</b> <b>CMT centimetre</b> <b>MMT millimetre</b> <b>MTK square metre</b> <b>LEF leaf</b> <b>MTQ cubic metre</b> <b>LTR litre</b> <b>PR pair</b> <b>RO</b> <b>TNE tonne (metric ton)</b> <b>KGM kilogram</b> <b>GRM gram</b> <b>KMT kilometre</b> PCE und C62 sind Synonym für Stück. PCE and C62 are ynonymous for piece

**Remark:**

**Example:** QTY+145:4000:PCE'

MaxOcc = Maximum occurrence of the segment/group St = Status: M=Mandatory, C=Conditional, R=Required, O=Optional, D=Dependent, A=Advised, N=Not used



Tag	St	MaxOcc
-----	----	--------

**SG12** D 9999 **Inventory balance per individual warehouse / condition / different stocks only with PROACT, for ACS only Consi-stock**  
 Inventory balance per individual warehouse / condition / different stocks only with PROACT, for ACS only Consi-stock

**QTY** O 1 **Previously reported stock quantity**  
 Previously reported stock quantity

EDIFACT			Conti		
Tag	Name	St Format	St	Format	Usage / Remark
C186	Quantity details	M	M		
6063	Quantity type code qualifier	M an..3	M	an..3	<b>18 Previous quantity</b>
6060	Quantity	M an..35	M	an..35	
6411	Measurement unit code	C an..3	O	an..3	Quantity (to be) Despatched Measure Unit Specifier Code specifying the unit of measurement, use UN/ECE Rec. 20 Maßeinheit, codiert gem. UN/ECE Rec. 20 <b>C62 one</b> <b>PCE</b> <b>SET set</b> <b>MTR metre</b> <b>CMT centimetre</b> <b>MMT millimetre</b> <b>MTK square metre</b> <b>LEF leaf</b> <b>MTQ cubic metre</b> <b>LTR litre</b> <b>PR pair</b> <b>RO</b> <b>TNE tonne (metric ton)</b> <b>KGM kilogram</b> <b>GRM gram</b> <b>KMT kilometre</b> PCE und C62 sind Synonym für Stück. PCE and C62 are ynonymous for piece

**Remark:**

**Example:** QTY+18:X:04'

MaxOcc = Maximum occurrence of the segment/group St = Status: M=Mandatory, C=Conditional, R=Required, O=Optional, D=Dependent, A=Advised, N=Not used



Tag	St	MaxOcc
-----	----	--------

**SG12** D 9999 **Inventory balance per individual warehouse / condition / different stocks only with PROACT, for ACS only Consi-stock**  
**Inventory balance per individual warehouse / condition / different stocks only with PROACT, for ACS only Consi-stock**

**LOC** R 5 **Warehouse**  
**Warehouse**

EDIFACT			Conti		
Tag	Name	St Format	St	Format	Usage / Remark
3227	Location function code qualifier	M an..3	M	an..3	<b>18 Warehouse</b>
C517	Location identification	C	R		
3225	Location identifier	C an..35	R	an..35	ID of the warehouse / storage facility. This may be a logical or virtual storage facility as well. 17 Freier Eigenbestand/Quantity on hand - own 89 Eigener Bestand in Qualitätssicherung/Quality control held - own 20 Eigener gesperrter Bestand/blocked Quantity - own Z17 Freier Konsi-Bestand/Quantity on hand - consi (former 152) Z89 Konsi-Bestand in Qualitätssicherung/Quality control held - consi Z20 Gesperrter Konsi-Bestand/blocked Quantity - consi
1131	Code list identification code	C an..17	C	an..17	
3055	Code list responsible agency code	C an..3	C	an..3	
3224	Location name	C an..256	C	an..256	
C519	Related location one identification		N		
3223	First related location identifier	an..35	N		Not used
1131	Code list identification code	an..17	N		Not used
3055	Code list responsible agency code	an..3	N		Not used
3222	First related location name	an..70	N		Not used
C553	Related location two identification		N		
3233	Second related location identifier	an..35	N		Not used
1131	Code list identification code	an..17	N		Not used
3055	Code list responsible agency code	an..3	N		Not used
3232	Second related location name	an..70	N		Not used
5479	Relation code	an..3	N		Not used

**Remark:**  
 logical or physical warehouse or storage facility

**Example:** LOC+18+X:::X'

MaxOcc = Maximum occurrence of the segment/group St = Status: M=Mandatory, C=Conditional, R=Required, O=Optional, D=Dependent, A=Advised, N=Not used

Tag	St	MaxOcc
-----	----	--------

**SG12** D 9999 **Inventory balance per individual warehouse / condition / different stocks only with PROACT, for ACS only Consi-stock**  
 Inventory balance per individual warehouse / condition / different stocks only with PROACT, for ACS only Consi-stock

**DTM** O 1 **Message date of the previous message**  
 Message date of the previous message

EDIFACT			Conti		
Tag	Name	St Format	St	Format	Usage / Remark
C507	Date/time/period	M	M		
2005	Date or time or period function code qualifier	M an..3	M	an..3	<b>127 Previous report date</b>
2380	Date or time or period text	C n..12	R	n..12	Date / time of previous report
2379	Date or time or period format code	C an..3	C	an..3	<b>102 CCYYMMDD</b> <b>203 CCYYMMDDHHMM</b>

**Remark:**

**Example:** DTM+127:X:102'

MaxOcc = Maximum occurrence of the segment/group St = Status: M=Mandatory, C=Conditional, R=Required, O=Optional, D=Dependent, A=Advised, N=Not used

Tag	St	MaxOcc
<b>UNT</b>	M	1 Message trailer

EDIFACT			Conti		
Tag	Name	St Format	St	Format	Usage / Remark
0074	Number of segments in the message	M n..6	M	n..6	Number of segments in the message
0062	Message reference number	M an..14	M	an..14	Message reference number

**Remark:**

**Example:** UNT+ '

Tag	St	MaxOcc	
<b>UNZ</b>	M	1	Interchange trailer

EDIFACT			Conti		
Tag	Name	St Format	St	Format	Usage / Remark
0036	Interchange control count	M n..6	M	n..6	Interchange control count
0020	Interchange control reference	M an..14	M	an..14	Interchange control reference

**Remark:**

**Example:** UNZ+1+INTERCHANGE 1'

## Example Message

No	Tag	Example
01	<b>UNA</b>	UNA:+.? '
02	<b>UNB</b>	UNB+UNOC:3+OD012345:59:123+987654321:1:LAFES+071205:1446+144659+++++1'
03	<b>UNH</b>	UNH++INVRPT:D:13A:UN:GAVJ10'
04	<b>BGM</b>	BGM+35::6:PRO++9'
05	<b>DTM</b>	DTM+137:20140808:102'
<b>SG2</b>		
06	<b>NAD</b>	NAD+WH+123::91++Continental Automotive GmbH:Name2+Siemensstraße 12:Street2+Regensburg++93055+DE'
<b>SG2</b>		
07	<b>NAD</b>	NAD+GM+Identifler::92++Name1:Name2+Street1:Street2+City++12345+DE'
<b>SG2</b>		
08	<b>NAD</b>	NAD+ST+Identifler::92++Name1:Name2+Street1:Street2+City++12345+DE'
09	<b>LOC</b>	LOC+11+Abladestelle Id::92:Abladestelle'
<b>SG9</b>		
10	<b>LIN</b>	LIN+1++123ABC:IN'
11	<b>PIA</b>	PIA+1+ZusätzlicheProduktidentifikation:SA+ZusätzlicheProduktidentifikation:HS+ZusätzlicheProduktidentifikation:EC+ZusätzlicheProduktidentifikation:AB+ZusätzlicheProduktidentifikation:CL'
12	<b>ALI</b>	ALI+DE'
13	<b>DTM</b>	DTM+380::102'
14	<b>DTM</b>	DTM+60::102'
15	<b>DTM</b>	DTM+94:20130807:102'
<b>SG12</b>		
16	<b>INV</b>	INV+1++1'
17	<b>QTY</b>	QTY+156:100:PCE'
18	<b>QTY</b>	QTY+145:100:PCE'
19	<b>LOC</b>	LOC+18+X'
20	<b>DTM</b>	DTM+179:20140324:102'
<b>SG15</b>		
21	<b>RFF</b>	RFF+AAU:9'
22	<b>DTM</b>	DTM+171'
<b>SG15</b>		
23	<b>RFF</b>	RFF+ALO:9'
24	<b>DTM</b>	DTM+171'
<b>SG15</b>		
25	<b>RFF</b>	RFF+TN:9'
26	<b>DTM</b>	DTM+171'

No = Consecutive segment number

No	Tag	Example
<b>SG15</b>		
27	<b>RFF</b>	RFF+DQ:9'
28	<b>DTM</b>	DTM+171'
<b>SG15</b>		
29	<b>RFF</b>	RFF+ON:9'
30	<b>DTM</b>	DTM+171'
<b>SG12</b>		
31	<b>INV</b>	INV+N/A'
32	<b>QTY</b>	QTY+145:4000:PCE'
33	<b>QTY</b>	QTY+18:X:04'
34	<b>LOC</b>	LOC+18+X::X'
35	<b>DTM</b>	DTM+127:X:102'
36	<b>UNT</b>	UNT+ '
37	<b>UNZ</b>	UNZ+1+INTERCHANGE 1'

No = Consecutive segment number